

Sport AIRCRAFT

PowerMax



PROPELLER

PowerMax

Sport AIRCRAFT



| Sport AIRCRAFT presents a new design of 3-blade in flight adjustable constant-speed propeller called the PowerMax.





Modern CNC technologies are used to their maximum in both the design process and during production. These advanced technologies provide high precision and outstanding manufacturing quality. This state of the art high technology and innovative design has enabled the weight to be reduced to an almost unbelievable 7 kg – unheard of in this category of in flight adjustable propellers.



PowerMax



PowerMax



The all-composite propeller blade is manufactured from carbon fibre, the hub and pitch control mechanism from the highest quality superdural alloys. The strength and resistance of the PowerMax propeller was confirmed during stringent certification tests. Eg. the strength of the blade corresponds to seven times the maximum permissible operational loading (which means the tensile strength of each blade is more than 10,5 tons).



PowerMax





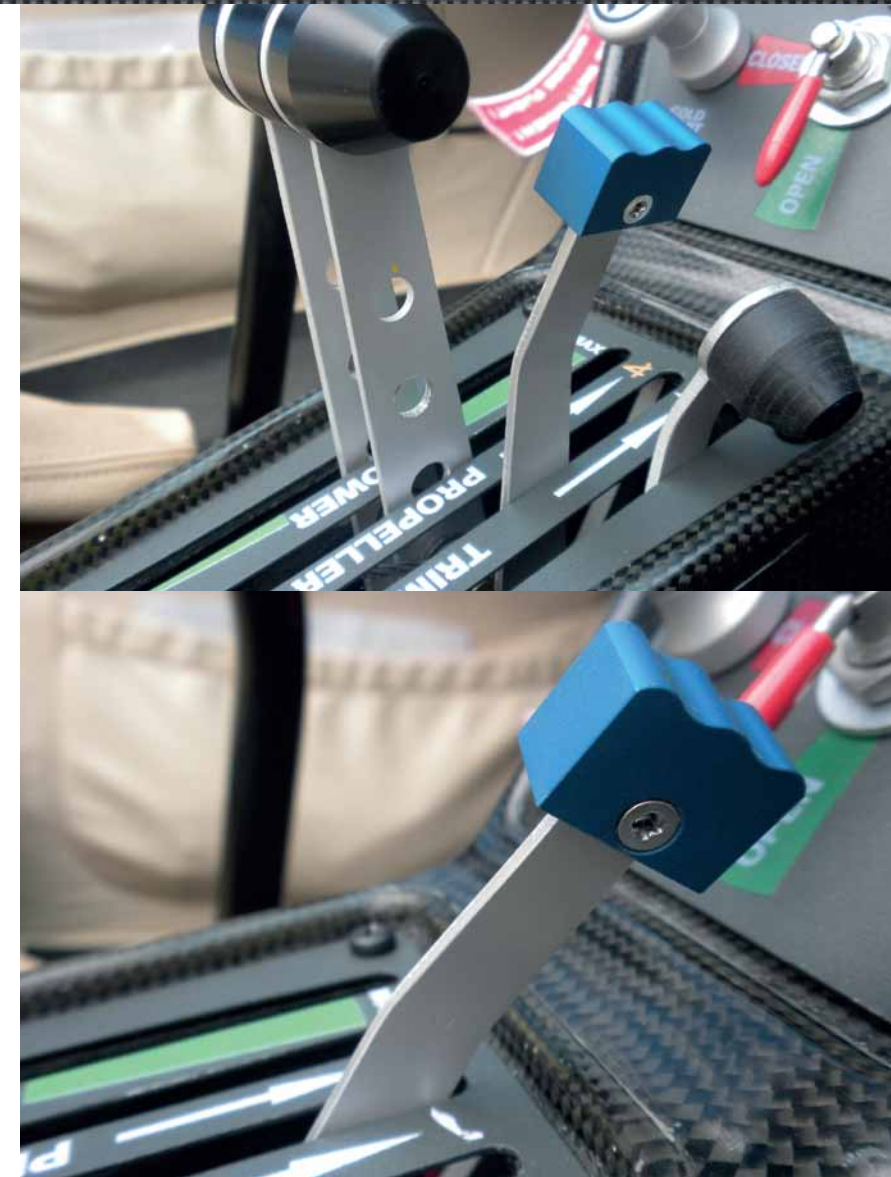
PowerMax

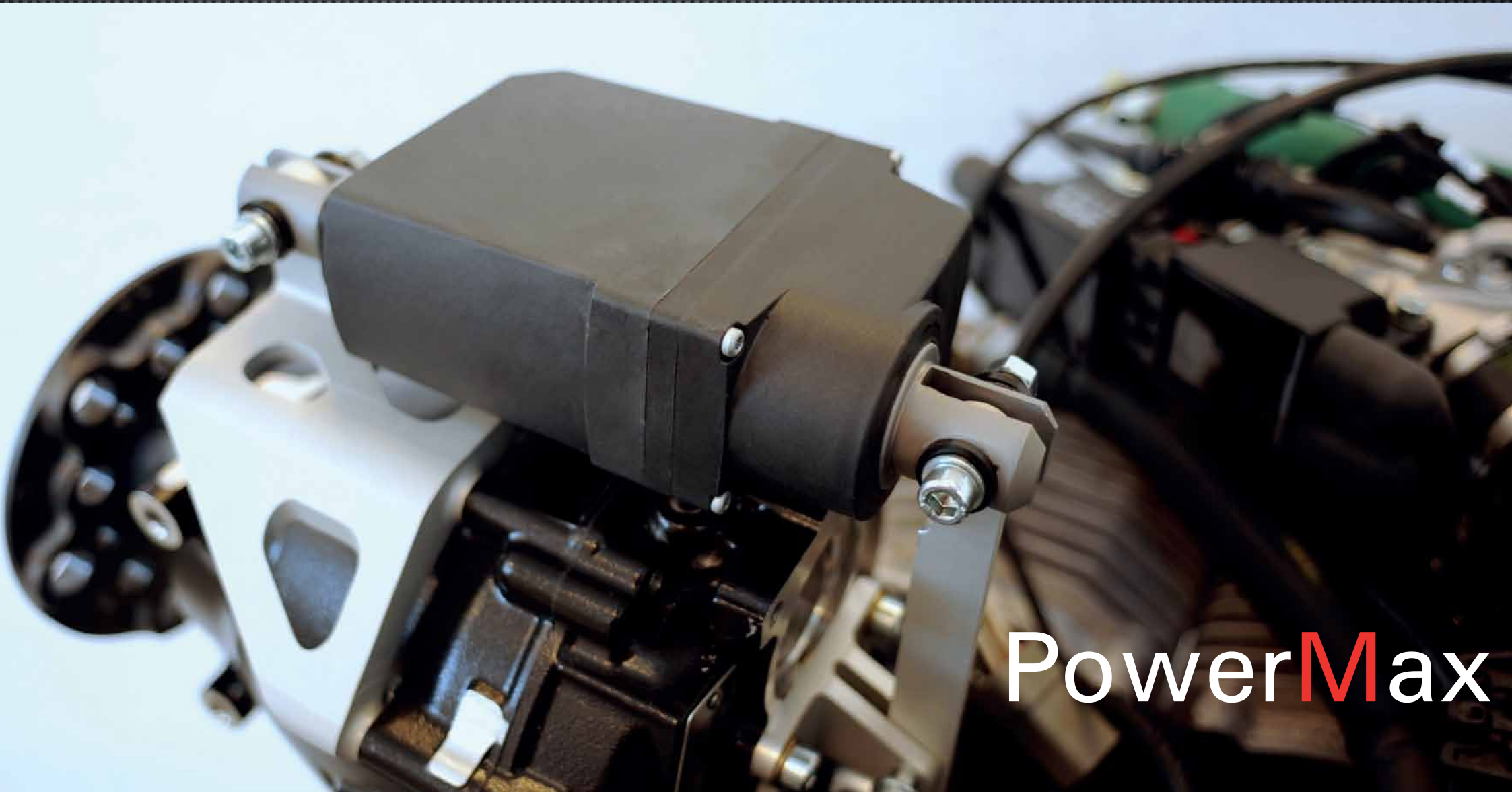
12345678910111213141516



From the beginning the concept of the propeller took into consideration maximum ease of use, using the constant-speed approach.

The constant-speed control lever is placed just next to the throttle, designed so that the pilot will quickly get used to adjusting the pitch with easy touches. By setting the lever to the marked position in constant-speed mode, the propeller automatically adjusts to the requested position and mode of flight. Control of the propeller is intuitive, similar to aircraft from higher weight categories, allowing maximum time spent with eyes on the sky!



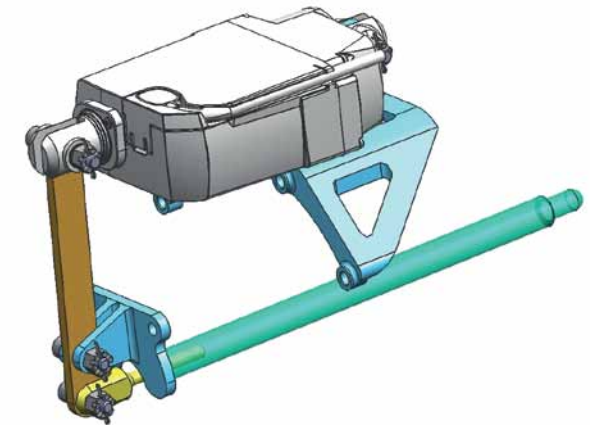
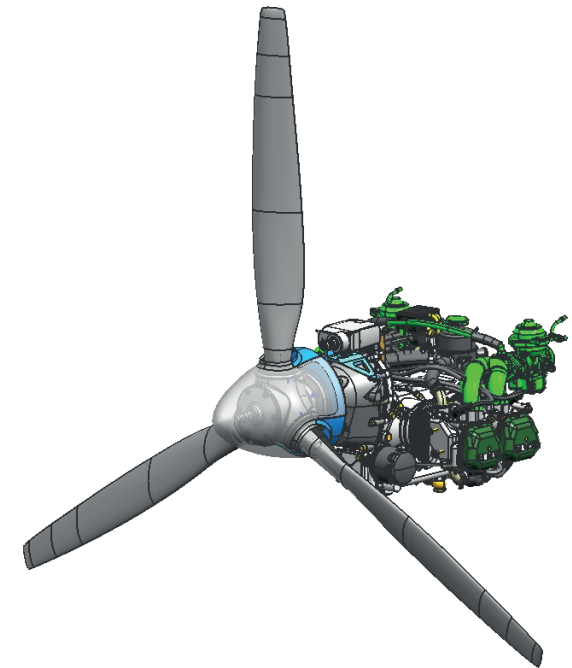


PowerMax

123456789 **10** 111213141516



The highly reliable electric motor is used to adjust the blade pitch. It guarantees trouble-free operation even after hundreds of thousands of operational cycles.





PowerMax

1 2 3 4 5 6 7 8 9 10 11 12 13 14 15 16



DESIGN





PowerMax

12345678910111213 **14** 1516



| TECHNICAL DATA

- | Rotating direction (front view).....**Left**
- | Number of blades.....**3**
- | Diameter.....**1748 mm**
- | Pitch control range.....**10°**
- | Blade adjusting speed with load.....**4,6 sec.**
- | Operating temperatures range.....**-25°C - +40°C**
- | Propeller weight.....**7 kg**
- | Propeller spinner outer diameter.....**235 mm**
- | Fixing screws.....**6 x M8**



| ADDRESS

Sport AIRCRAFT
Airport, building no.84
503 41 Hradec Kralove
CZECH REPUBLIC

| E-MAIL

info@sportaircraft.cz

| TEL / FAX

Tel / Fax: + 420 495 213 378



Sport AIRCRAFT

Sport AIRCRAFT
Airport, building no.84
503 41 Hradec Kralove
CZECH REPUBLIC

info@sportaircraft.cz

Tel / Fax: + 420 495 213 378

www.sportaircraft.cz