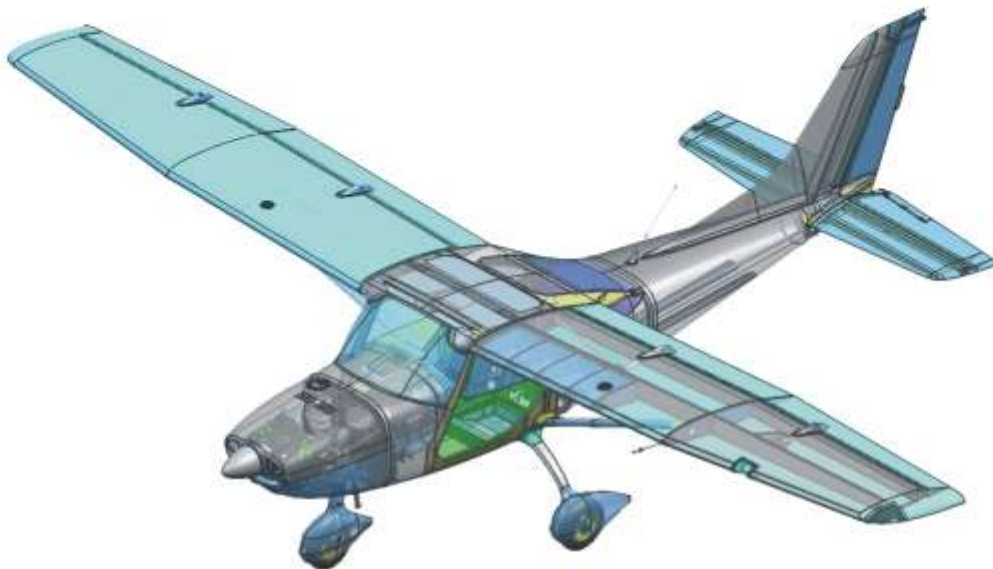




TL ultralight  
Letiště - budova č.84  
503 41 Hradec Králové  
Czech Republic  
[www.tl-ultralight.com](http://www.tl-ultralight.com)

## SPARE PART CATALOGUE TL - 3000 SIRIUS



Author: Ing. Martin Zahálka .....

Date of Issue: 26.2.2010

Document No.: TL3000/10/003AJ

**THIS PAGE BLANK**

**Chapter List:**

1. Declaration
2. Technical Description
3. Technical Data
4. 3 - view Aircraft Drawing
5. S000\_000\_00-1\_TL3000
6. S100\_000\_00-1\_wing
7. S200\_000\_00-1\_fuselage
8. S300\_000\_00-1\_horizontal tail
9. S400\_000\_00-1\_undercarriage
10. S500\_000\_00-1\_control
11. S600\_000\_00-1\_systems
12. S700\_000\_00-1\_power unit
13. S800\_000\_00-1\_struts
14. S900\_000\_00-1\_rescue system

**Declaration:**

This document has been designed for operational and service purposes of aircraft owner and service centers. It is prohibited to make other distribution or any non - authorized document copies of its parts without the manufacturer permission. Company TL-ultralight s.r.o. is not responsible for damage developed on basis of information usage from this document.

in Hradec Králové 26.2.2010



## Technical description:

The aircraft is dual - seater high wing aircraft with classic conception with nose gear undercarriage type. The whole aircraft is built from composite materials.

### Fuselage:

The fuselage is manufactured as clean laminate sandwich shell with bulkheads. In the fuselage there is designed two seater cockpit with seats side by side. In the cockpit there is located dual control steering (yokes). Behind both seats there is a baggage compartment area and full airframe recovery parachute system and rocket area. Pilots sit on separate seats attached on lateral fuselage bulkhead.

### Wing:

Wing is full composite with one strut creating a spar sandwich shell with root rib and another rib where the strut attachment is. The attachment into the fuselage is made by typical method by means of two pins on main and rear spar and strut. Wing skin is created by combined sandwich from carbon fibre, glass fibre and foam. Main spar has carbon cap and fibre sandwich web. Wing is equipped with aileron and flap. The fuel tank is placed in root, front part of the wing.

### Undercarriage:

The undercarriage is nose gear configuration with main wheels suspended by laminate spring and nose wheel suspended by spring. Nose gear is non - controlled. Main wheel is fitted with wheel 400 x 100 mm, on the nose gear there is used a wheel 400 x 100 mm as well. Both main wheels are braked wheels.

### Control:

The control is a combination of cables and pull rods. Aileron and elevator is controlled by pull rods. Trimmer system is bowden controlled aerodynamic tab placed on the left elevator. The flap is electric, controlled by servoengine with gear placed inside the right wing. Main wheel brakes are controlled by means of small pedals on the rudder control pedals.

### Power unit:

Is expected to use more engine types. Basic engine types are Rotax 912UL and 912ULS. To each engine type there will be used different types of propellers. Basic types of propellers are DUC SWIRL and SR 3000.

### Fuel system:

Fuel system consists of two fuel wing tanks with capacity of 130 litres manufactured from composite, fuel pipes, fuel valve, fuel gauge and fuel filter. In dependence on used engine type there will be inserted a fuel pump into the fuel system.

### Pitot - static system:

Pitot - static system has pitot tube placed on the left wing and static ports on the rear part of the fuselage. The static and dynamic pressure is provided by PE tubes. On the pitot - static system there are connected instruments as altimeter, speedmeter and variometer.

### Electric system:

Electric system uses 12V power of direct current. Electric system supplies panel board instrument function, radiostation. The power source is battery 12V/14 Ah. On demand there are position and anticollision lights fitted.

### Instrument equipment:

The aircraft is fitted with minimum of following instruments: speedmeter, altimeter, variometer, magnetic compass and RPM.

### Radionavigation equipment:

Radionavigation equipment is supplied by radiostation and navigation system according to the customer requirement.

### Other equipment:

The aircraft could be equipped by recovery parachute system.

**Technical data:****Basic dimensions:**

|           |                           |
|-----------|---------------------------|
| Wing span | ..... 9400 mm / 370.08 in |
| Length    | ..... 6750 mm / 274.41 in |
| Height    | ..... 2250 mm / 88.58 in  |

**Wing:**

|                                             |                                                      |
|---------------------------------------------|------------------------------------------------------|
| Used wing airfoil                           | ..... MS(1)-313                                      |
| Root rib chord                              | ..... 1300 mm / 51.18 in                             |
| Ending airfoil chord                        | ..... 900 mm / 35.43 in                              |
| Wing area                                   | ..... 11,154 m <sup>2</sup> / 120.06 ft <sup>2</sup> |
| Wing area (without fuselage part)           | ..... 9,659 m <sup>2</sup> / 103.97 ft <sup>2</sup>  |
| Aspect ratio                                | ..... 7,92                                           |
| Main aerodynamic chord (MAC)                | ..... 1230 mm / 48.43 in                             |
| Distance of beginning MAC from leading edge | ..... 34 mm / 1.34 in                                |
| Wing dihedral                               | ..... 2,5°                                           |
| Wing angle setting                          | ..... 4,5°                                           |

**Aileron:**

|                    |                                                  |
|--------------------|--------------------------------------------------|
| Aileron span       | ..... 1870 mm / 73.62 in                         |
| Aileron area       | ..... 0,51 m <sup>2</sup> / 5.49 ft <sup>2</sup> |
| Aileron deflection | up ..... 15°                                     |
|                    | down ..... 9°                                    |

**Flap:**

|                 |                                                 |
|-----------------|-------------------------------------------------|
| Flap span       | ..... 2070 mm / 81.69 in                        |
| Flap area       | ..... 0,66 m <sup>2</sup> / 7.1 ft <sup>2</sup> |
| Flap deflection | start ..... 10,5°                               |
|                 | ll. position ..... 28°                          |
|                 | landing ..... 45°                               |

**Horizontal tail:**

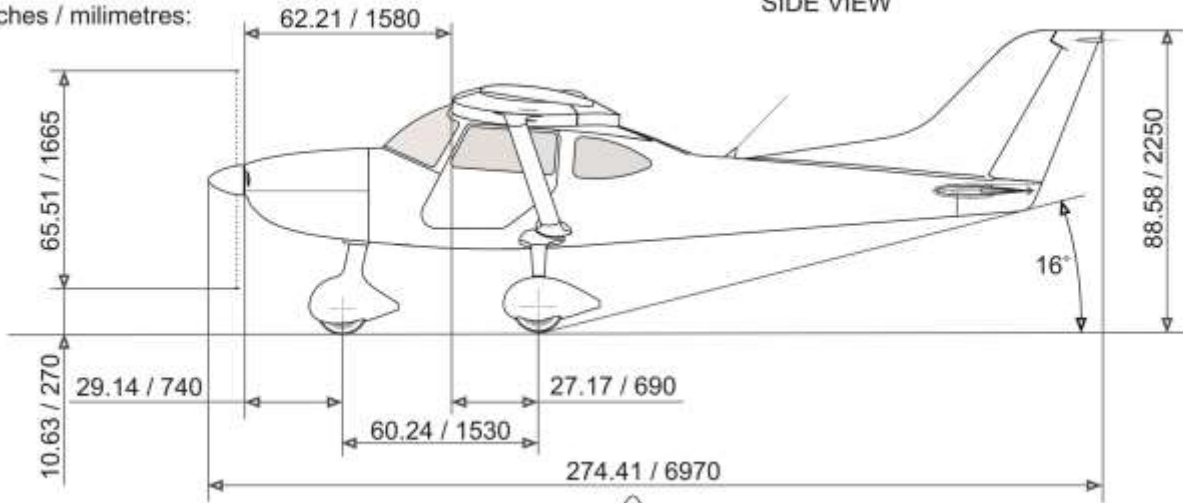
|                      |                                                   |
|----------------------|---------------------------------------------------|
| Horizontal tail span | ..... 3000 mm / 118.11 in                         |
| Horizontal tail area | ..... 2,01 m <sup>2</sup> / 21.64 ft <sup>2</sup> |
| Elevator area        | ..... 0,86 m <sup>2</sup> / 9.26 ft <sup>2</sup>  |
| Elevator deflection  | up ..... 19,5°                                    |
|                      | down ..... 11°                                    |

**Vertical tail:**

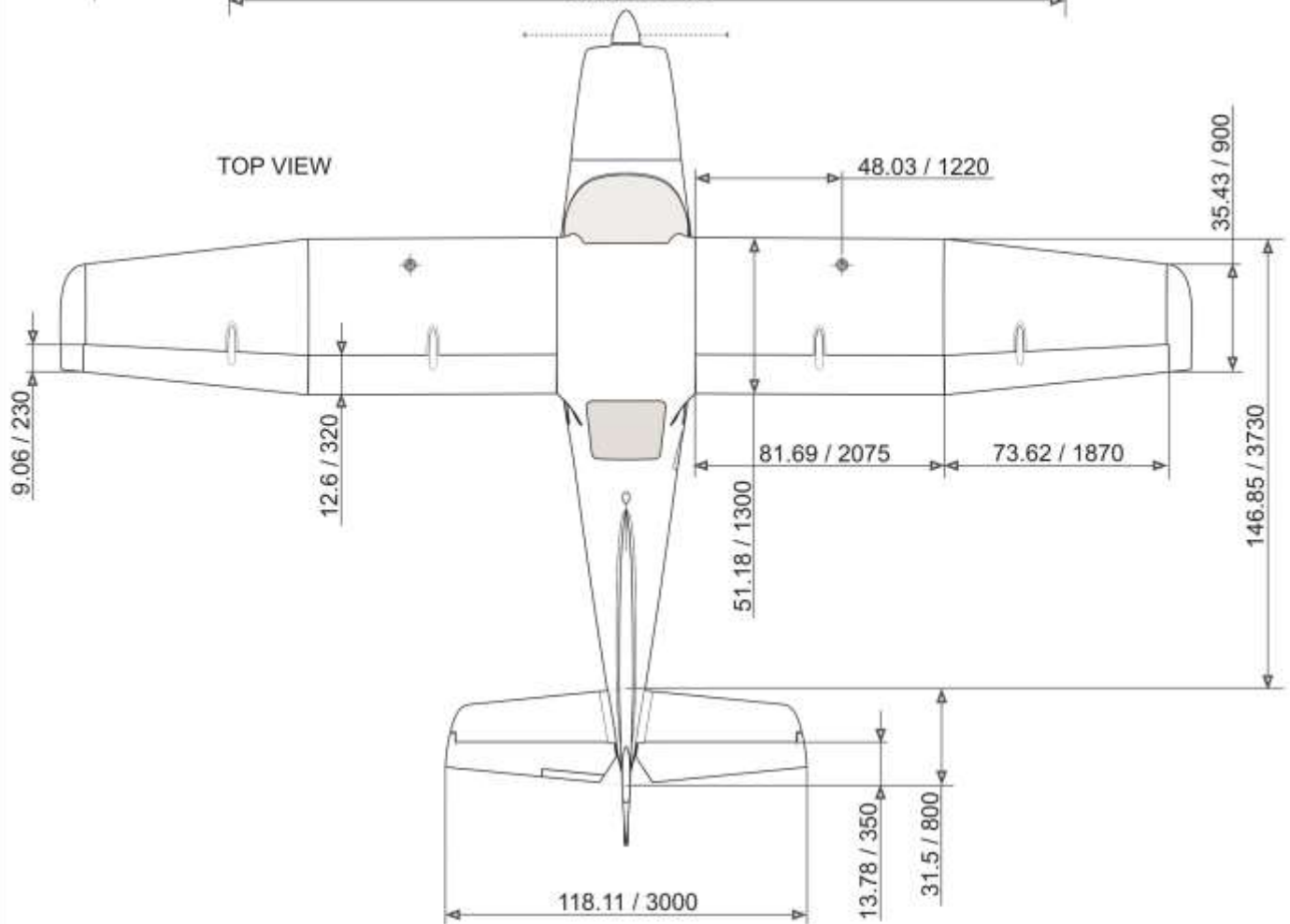
|                    |                                                   |
|--------------------|---------------------------------------------------|
| Vertical tail area | ..... 1,45 m <sup>2</sup> / 15.61 ft <sup>2</sup> |
| Rudder area        | ..... 0,414 m <sup>2</sup> / 4.46 ft <sup>2</sup> |
| Rudder deflection  | ..... ± 20°                                       |

Inches / millimetres:

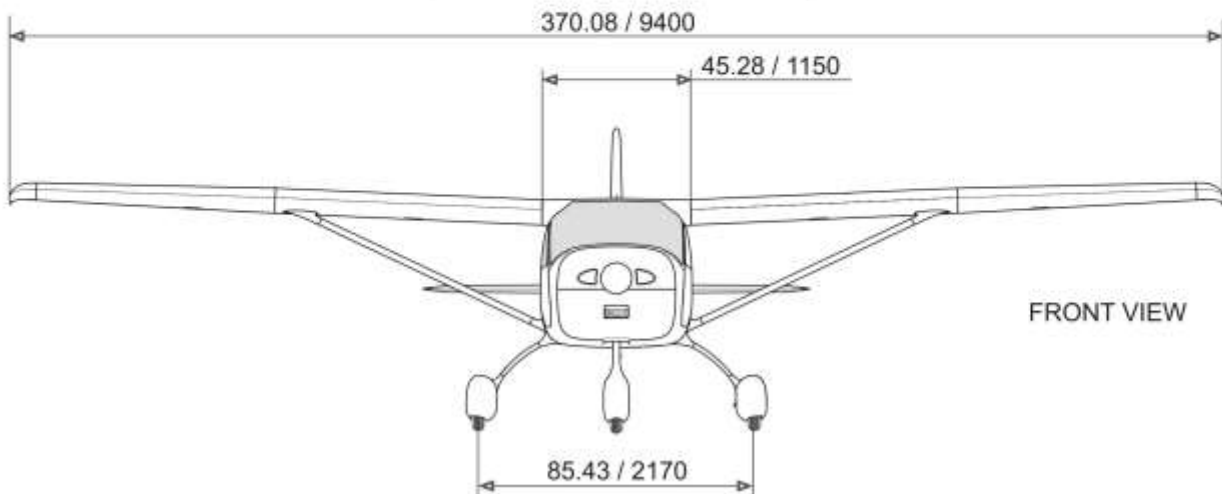
SIDE VIEW



TOP VIEW

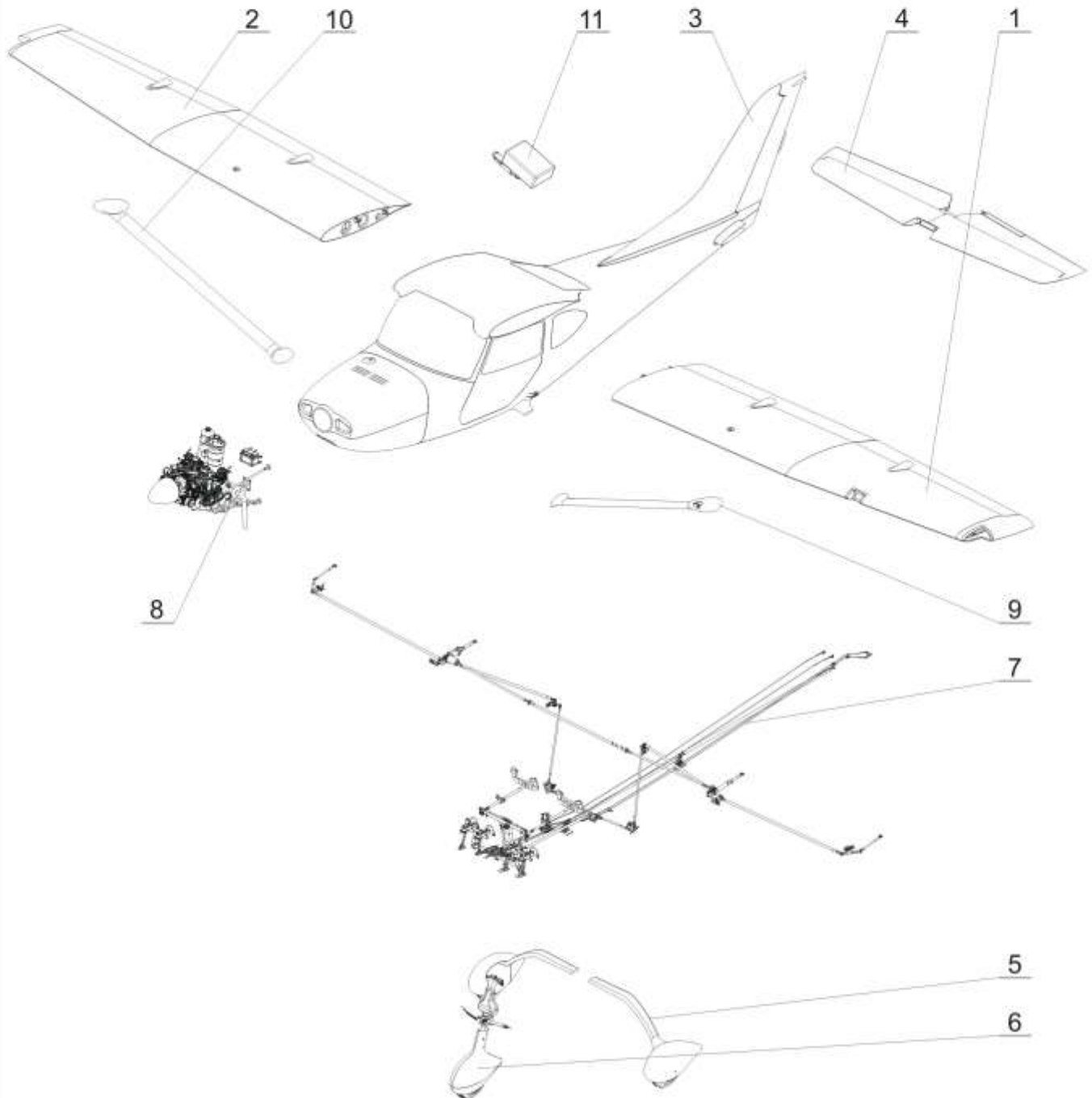



FRONT VIEW




S000\_000\_00-1\_TL3000






|                                                                                     |                     |                   |                                |             |
|-------------------------------------------------------------------------------------|---------------------|-------------------|--------------------------------|-------------|
|  | Material / materiál | Part name / název |                                |             |
|                                                                                     |                     | TL - 3000 Sirius  |                                |             |
| Name of designer / navrh                                                            | Ing Martin Zahálka  | Weight / hmotnost | kg                             | Page / list |
| Date of issue / datum vydání                                                        | 26.2.2010           | Scale / měřítko   | Drawing number / číslo výkresu |             |
| Revision / změna                                                                    |                     | S000_000_00-1     |                                |             |
| Date of revision / datum změny                                                      |                     |                   |                                |             |
| Pcs. / kusů                                                                         | 1                   |                   |                                |             |

|             |                           |                           |                                |
|-------------|---------------------------|---------------------------|--------------------------------|
| 11          | Ballistic recovery system |                           | s900_000_00-1                  |
| 10          |                           | Right strut               | s820_000_00-1                  |
| 9           |                           | Left strut                | s810_000_00-1                  |
| -           | Struts                    |                           | s800_000_00-1                  |
| 8           | Power unit                |                           | s700_000_00-1                  |
| -           | Systems                   |                           | s600_000_00-1                  |
| 7           | Control                   |                           | s500_000_00-1                  |
| 6           |                           | Nose gear                 | s420_000_00-1                  |
| 5           |                           | Main gear                 | s410_000_00-1                  |
| -           | Undercarriage             |                           | s400_000_00-1                  |
| 4           | Horizontal tail           |                           | s300_000_00-1                  |
| 3           | Fuselage                  |                           | s200_000_00-1                  |
| 2           |                           | Right wing                | s120_000_00-1                  |
| 1           |                           | Left wing                 | s110_000_00-1                  |
| -           | Wing                      |                           | s100_000_00-1                  |
| Pos. / poz. | Assembly / sestava        | Sub assembly / podsestava | Drawing number / číslo výkresu |

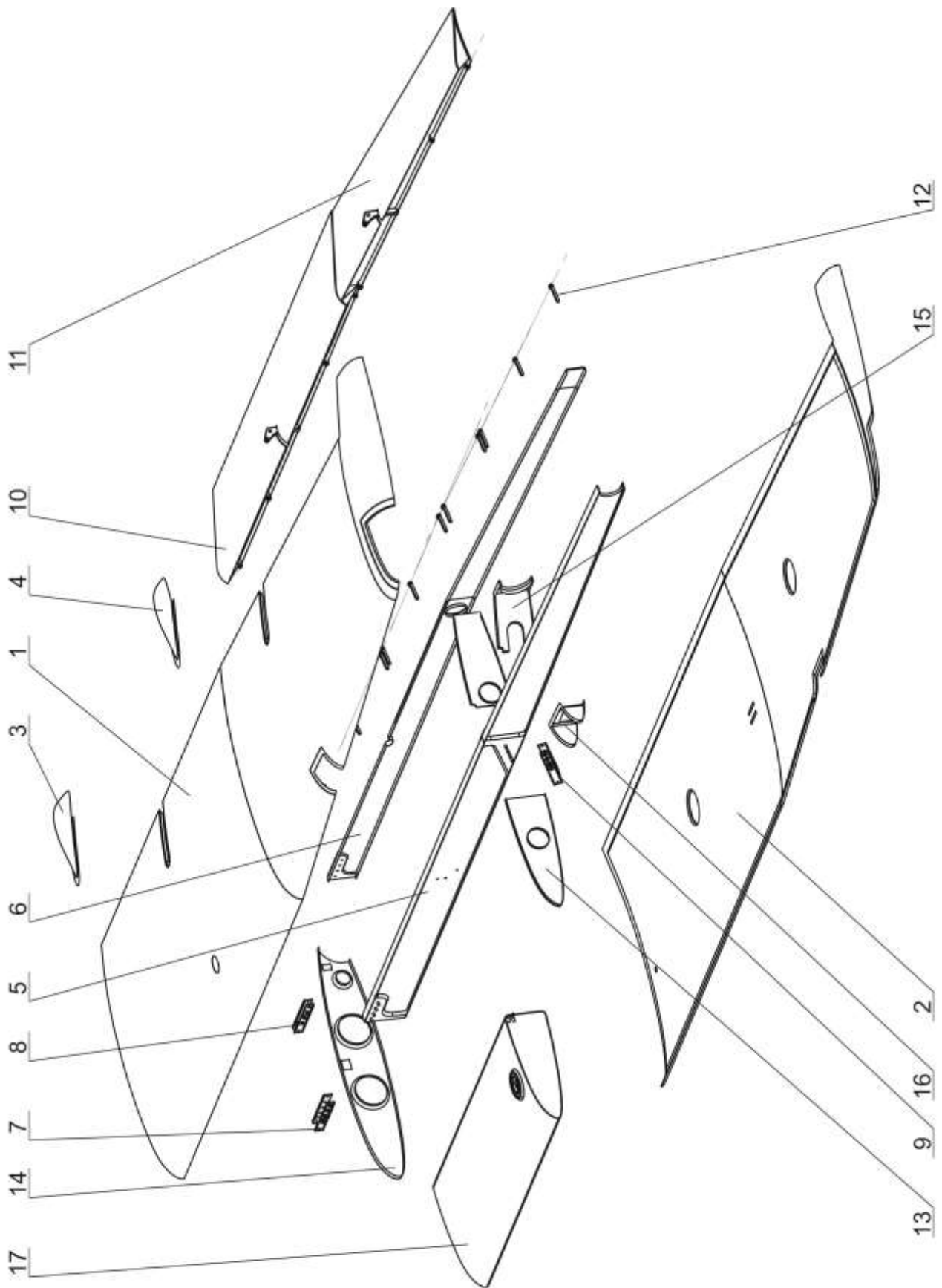
|                                                                                     |                     |                   |                                |
|-------------------------------------------------------------------------------------|---------------------|-------------------|--------------------------------|
|  | Material / materiál | Part name / název |                                |
|                                                                                     | -                   | TL - 3000 Sirius  |                                |
| Name of designer / navrh                                                            | Ing Martin Zahálka  | Weight / hmotnost | kg                             |
| Date of issue / datum vydání                                                        | 26.2.2010           | Page / list       | 2/2                            |
| Revision / změna                                                                    |                     | Scale / měřítko   | Drawing number / číslo výkresu |
| Date of revision / datum změny                                                      |                     |                   | S000_000_00-1                  |
| Pcs. / kusů                                                                         | 1                   |                   |                                |


|             |                           |                           |                                |
|-------------|---------------------------|---------------------------|--------------------------------|
| 11          | Ballistic recovery system |                           | s900_000_00-1                  |
| 10          |                           | Right strut               | s820_000_00-1                  |
| 9           |                           | Left strut                | s810_000_00-1                  |
| -           | Struts                    |                           | s800_000_00-1                  |
| 8           | Power unit                |                           | s700_000_00-1                  |
| -           | Systems                   |                           | s600_000_00-1                  |
| 7           | Control                   |                           | s500_000_00-1                  |
| 6           |                           | Nose gear                 | s420_000_00-1                  |
| 5           |                           | Main gear                 | s410_000_00-1                  |
| -           | Undercarriage             |                           | s400_000_00-1                  |
| 4           | Horizontal tail           |                           | s300_000_00-1                  |
| 3           | Fuselage                  |                           | s200_000_00-1                  |
| 2           |                           | Right wing                | s120_000_00-1                  |
| 1           |                           | Left wing                 | s110_000_00-1                  |
| -           | Wing                      |                           | s100_000_00-1                  |
| Pos. / poz. | Assembly / sestava        | Sub assembly / podsestava | Drawing number / číslo výkresu |

|                                                                                     |                     |                   |                                |
|-------------------------------------------------------------------------------------|---------------------|-------------------|--------------------------------|
|  | Material / materiál | Part name / název |                                |
|                                                                                     | -                   | TL - 3000 Sirius  |                                |
| Name of designer / navrh                                                            | Ing Martin Zahálka  | Weight / hmotnost | kg                             |
| Date of issue / datum vydání                                                        | 26.2.2010           | Page / list       | 2/2                            |
| Revision / změna                                                                    |                     | Scale / měřítko   | Drawing number / číslo výkresu |
| Date of revision / datum změny                                                      |                     |                   | S000_000_00-1                  |
| Pcs. / kusů                                                                         | 1                   |                   |                                |




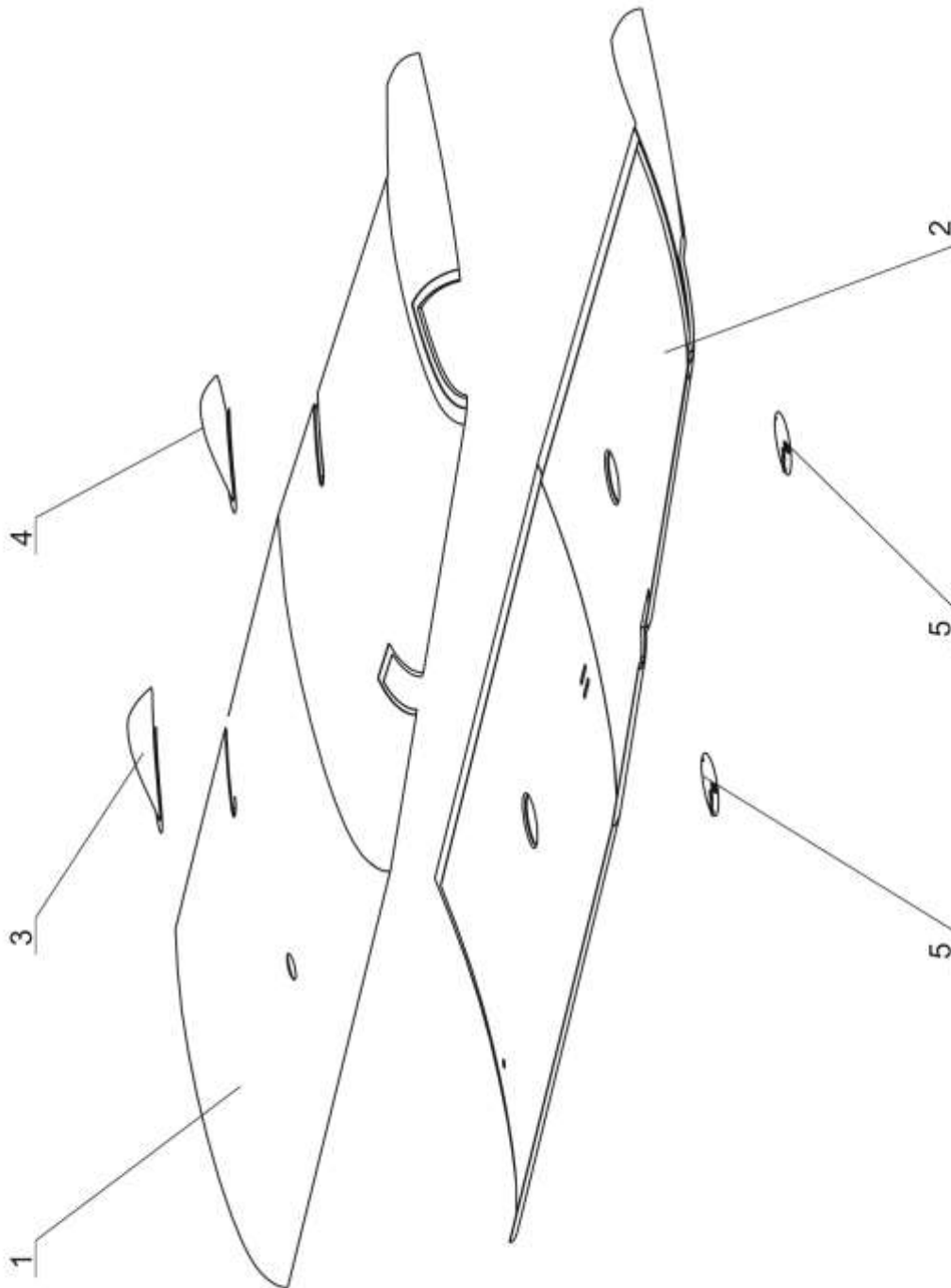
S100\_000\_00-1\_Wing




|                                                                                     |                     |                   |                                |
|-------------------------------------------------------------------------------------|---------------------|-------------------|--------------------------------|
|  | Material / materiál | Part name / název |                                |
|                                                                                     |                     | Left wing         |                                |
| Name of designer / navrh                                                            | Ing Martin Zahálka  | Weight / hmotnost | kg                             |
| Date of issue / datum vydání                                                        | 26.2.2010           | Page / list       | 1 / 2                          |
| Revision / změna                                                                    |                     | Scale / měřítko   | Drawing number / číslo výkresu |
| Date of revision / datum změny                                                      |                     | S110_000_00-1     |                                |
| Pcs. / kusů                                                                         | 1                   |                   |                                |

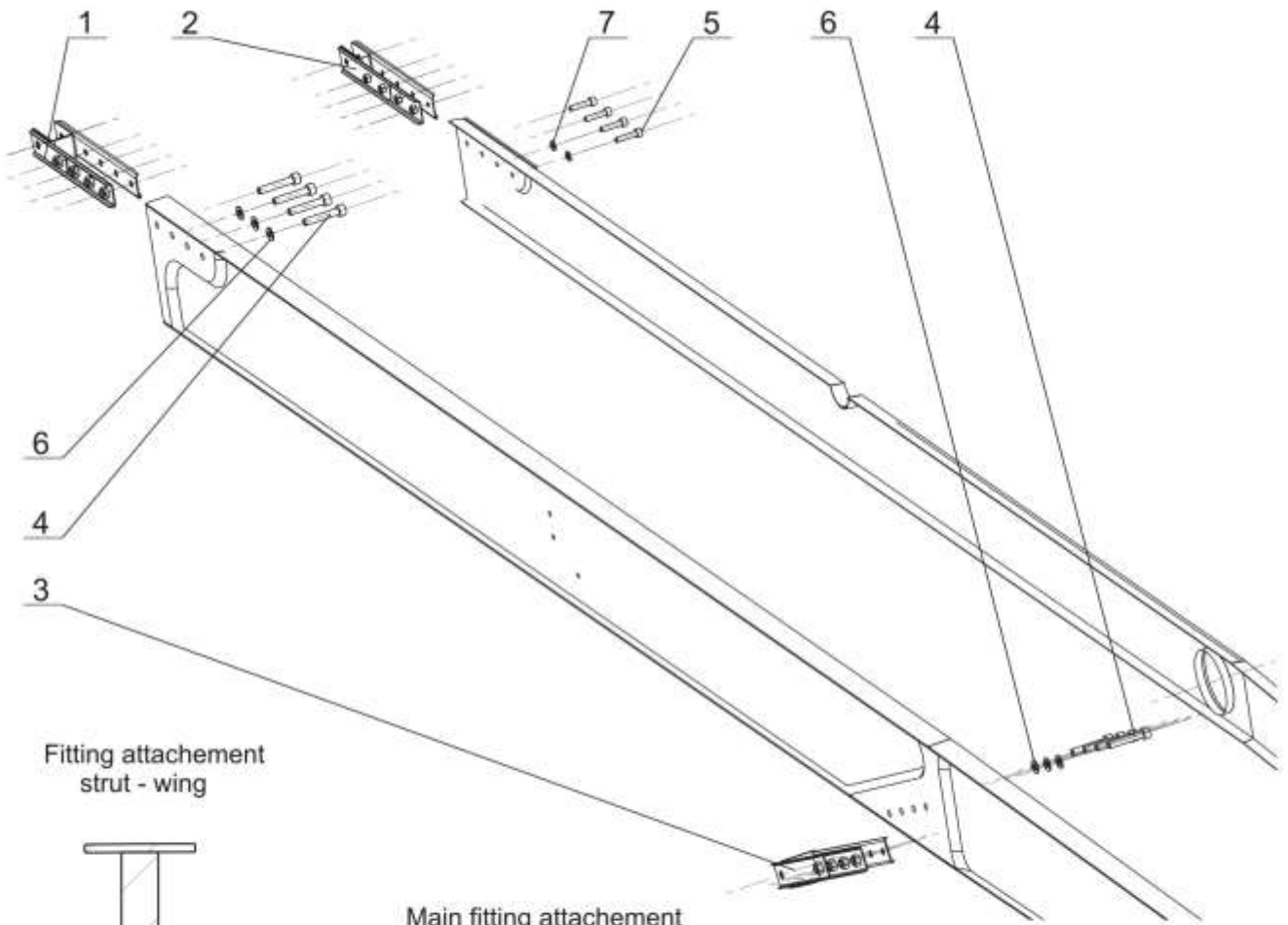
|             |                         |                           |                                |
|-------------|-------------------------|---------------------------|--------------------------------|
| 17          | Fuel tank               |                           | s111_000_00-1                  |
| 16          |                         | Landing light rib         | s110_940_00-1                  |
| 15          |                         | Aileron control rib       | s110_930_00-1                  |
| 14          |                         | Root rib                  | s110_920_00-1                  |
| 13          |                         | Strut attachment rib      | s110_910_00-1                  |
| -           | Wing ribs               |                           | s110_900_00-1                  |
| -           | Electric wiring in wing |                           | s110_800_00-1                  |
| 12          |                         | Aileron and flap hinge    | s110_710_00-1                  |
| -           | Aileron and flap hinges |                           | s110_700_00-1                  |
| 11          | Aileron                 |                           | s110_600_00-1                  |
| 10          | Flap                    |                           | s110_500_00-1                  |
| 9           |                         | Wing - strut fitting      | s110_430_00-1                  |
| 8           |                         | Rear spar fitting         | s110_420_00-1                  |
| 7           |                         | Main spar fitting         | s110_410_00-1                  |
| -           | Wing fitting            |                           | s110_400_00-1                  |
| 6           | Rear spar               |                           | s110_300_00-1                  |
| 5           | Main spar               |                           | s110_200_00-1                  |
| 4           |                         | Aileron pullrod cover     | s110_150_00-1                  |
| 3           |                         | Flap pullrod cover        | s110_140_00-1                  |
| 2           |                         | Bottom wing skin          | s110_120_00-1                  |
| 1           |                         | Upper wing skin           | s110_110_00-1                  |
| -           | Wing skin               |                           | s110_100_00-1                  |
| Pos. / poz. | Assembly / sestava      | Sub assembly / podsestava | Drawing number / číslo výkresu |

|                                                                                     |                     |                   |                                |
|-------------------------------------------------------------------------------------|---------------------|-------------------|--------------------------------|
|  | Material / materiál | Part name / název |                                |
|                                                                                     |                     | Left wing         |                                |
| Name of designer / návrh                                                            | Ing Martin Zahálka  | Weight / hmotnost | kg                             |
| Date of issue / datum vydání                                                        | 26.2.2010           | Page / list       | 2/2                            |
| Revision / změna                                                                    |                     | Scale / měřítko   | Drawing number / číslo výkresu |
| Date of revision / datum změny                                                      |                     |                   | S110_000_00-1                  |
| Pcs. / kusů                                                                         | 1                   |                   |                                |



|             |                       |                           |                                |
|-------------|-----------------------|---------------------------|--------------------------------|
| 5           | Inspection hole cover |                           | s110_160_00-1                  |
| 4           | Aileron pullrod cover |                           | s110_150_00-1                  |
| 3           | Flap pullrod cover    |                           | s110_140_00-1                  |
| 2           | Bottom wing skin      |                           | s110_120_00-1                  |
| 1           | Upper wing skin       |                           | s110_110_00-1                  |
| Pos. / poz. | Assembly / sestava    | Sub assembly / podsestava | Drawing number / číslo výkresu |

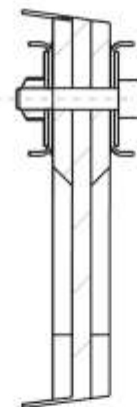
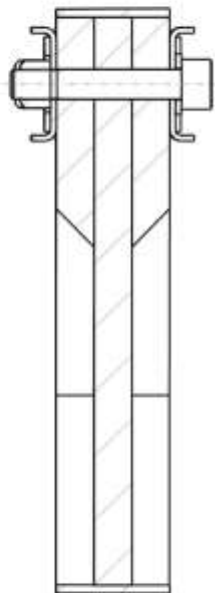
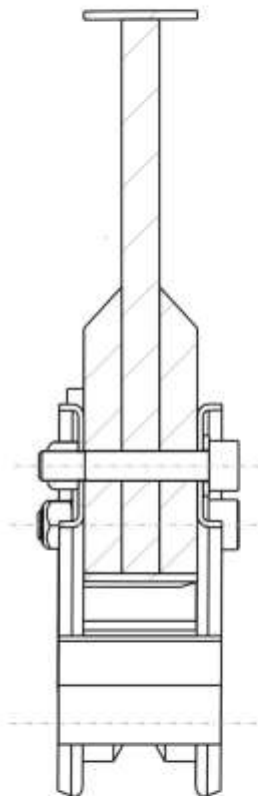
|                                                                                     |                     |                   |                                |
|-------------------------------------------------------------------------------------|---------------------|-------------------|--------------------------------|
|  | Material / materiál | Part name / název |                                |
|                                                                                     |                     | Wing skin         |                                |
| Name of designer / navrh                                                            | Ing Martin Zahálka  | Weight / hmotnost | kg                             |
| Date of issue / datum vydání                                                        | 26.2.2010           | Page / list       | 1 / 1                          |
| Revision / změna                                                                    |                     | Scale / měřítko   | Drawing number / číslo výkresu |
| Date of revision / datum změny                                                      |                     |                   | S110_100_00-1                  |
| Pcs. / kusů                                                                         | 1                   |                   |                                |




Fitting attachment  
strut - wing

Main fitting attachment


Rear fitting attachment



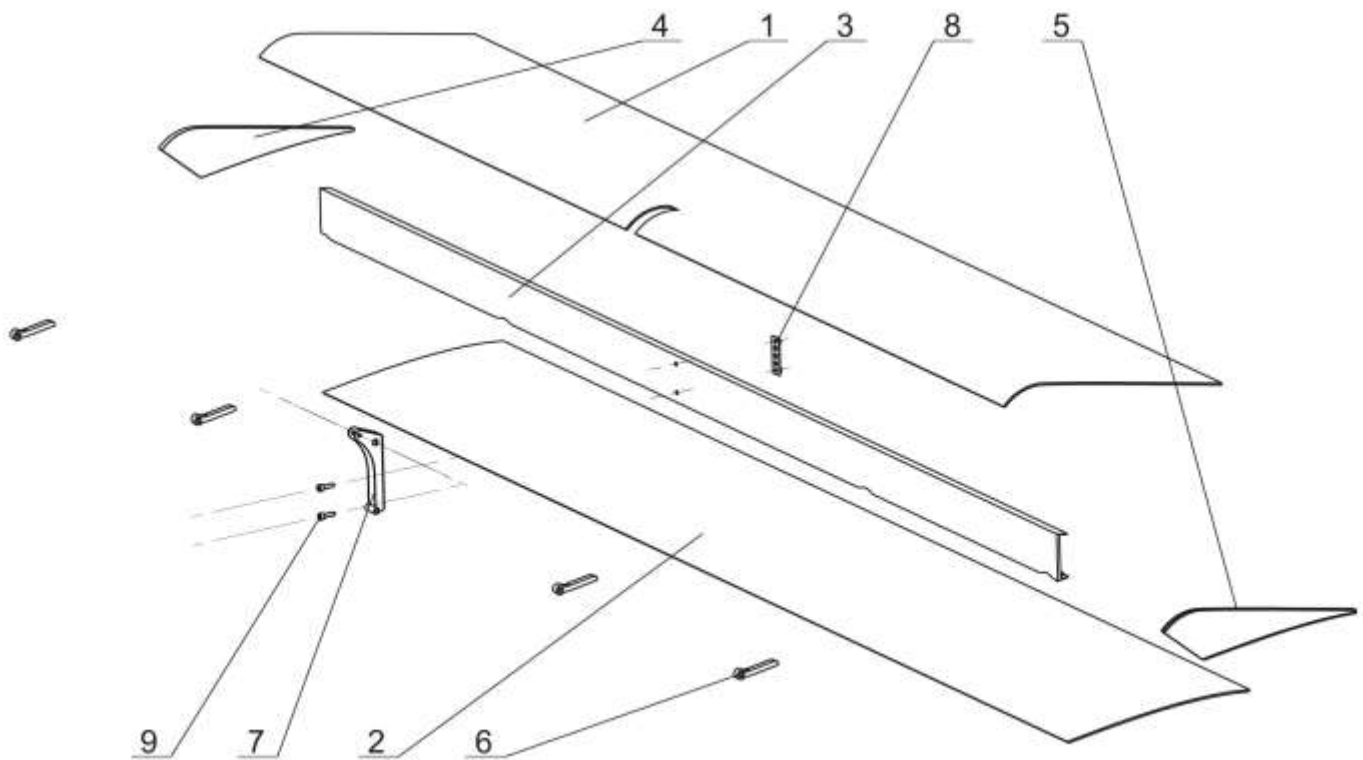
Note: All fittings are oriented by nuts towards leading edge


|                                                                                     |                     |                   |                                |
|-------------------------------------------------------------------------------------|---------------------|-------------------|--------------------------------|
|  | Material / materiál | Part name / název |                                |
|                                                                                     |                     | Wing fitting      |                                |
| Name of designer / návrh                                                            | Ing Martin Zahálka  | Weight / hmotnost | kg                             |
| Date of issue / datum vydání                                                        | 26.2.2010           | Page / list       | 1 / 2                          |
| Revision / změna                                                                    |                     | Scale / měřítko   | Drawing number / číslo výkresu |
| Date of revision / datum změny                                                      |                     |                   | S110_400_00-1                  |
| Pcs. / kusů                                                                         | -                   |                   |                                |

|             |                      |                           |                                |
|-------------|----------------------|---------------------------|--------------------------------|
| 7           | Washer M 6           |                           | ČSN 02 1721                    |
| 6           | Washer M 8           |                           | ČSN 02 1721                    |
| 5           | Screw M6 x 27        |                           | DIN 912                        |
| 4           | Screw M8 x 45        |                           | DIN 912                        |
| 3           | Wing - strut fitting |                           | s110_430_00-1                  |
| 2           | Rear spar fitting    |                           | s110_420_00-1                  |
| 1           | Main spar fitting    |                           | s110_410_00-1                  |
| Pos. / poz. | Assembly / sestava   | Sub assembly / podsestava | Drawing number / číslo výkresu |


|                                                                                     |                     |                   |                                |
|-------------------------------------------------------------------------------------|---------------------|-------------------|--------------------------------|
|  | Material / materiál | Part name / název |                                |
|                                                                                     | -                   | Wing fitting      |                                |
| Name of designer / navrhl                                                           | Ing Martin Zahálka  | Weight / hmotnost | kg                             |
| Date of issue / datum vydání                                                        | 26.2.2010           | Page / list       | 2 / 2                          |
| Revision / změna                                                                    |                     | Scale / měřítko   | Drawing number / číslo výkresu |
| Date of revision / datum změny                                                      |                     |                   | S110_400_00-1                  |
| Pcs. / kusů                                                                         | -                   |                   |                                |



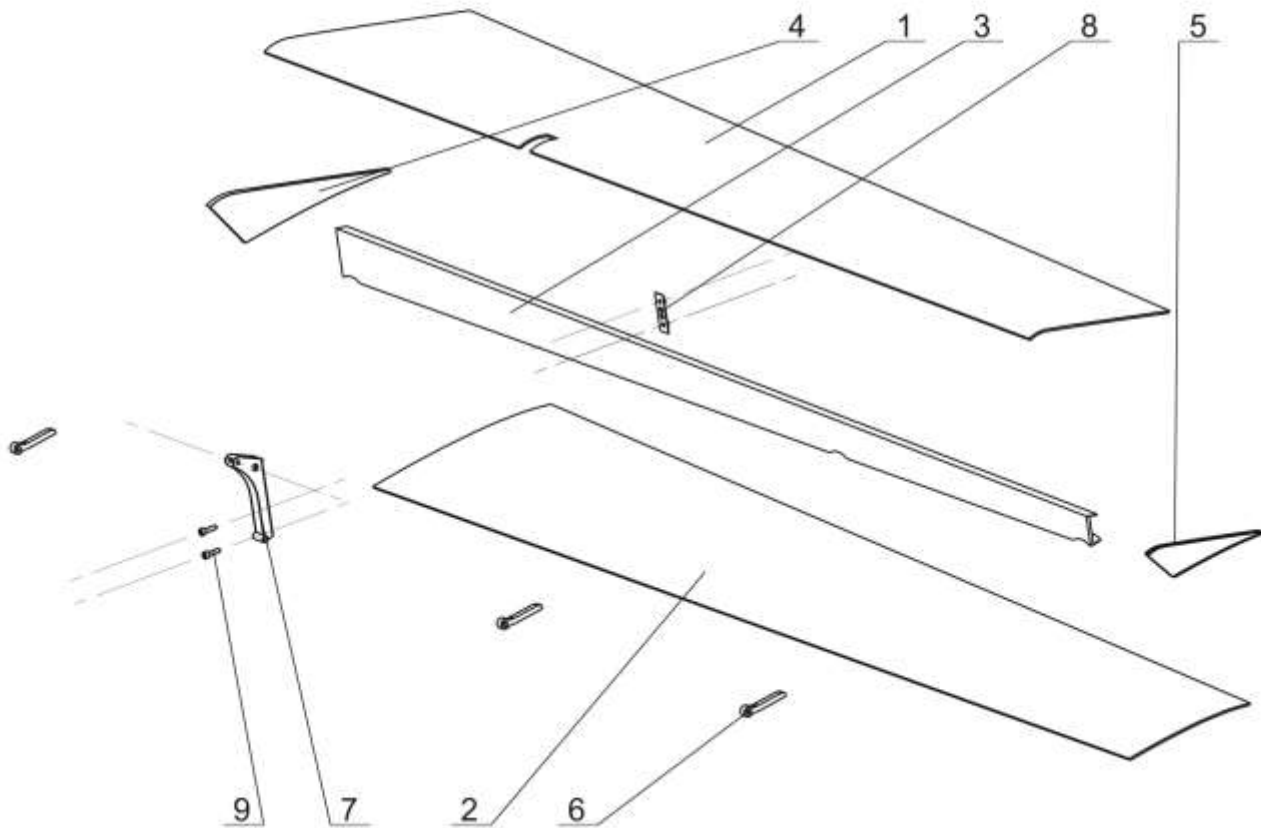



|                                                                                     |                     |                   |                                |             |
|-------------------------------------------------------------------------------------|---------------------|-------------------|--------------------------------|-------------|
|  | Material / materiál | Part name / název |                                |             |
|                                                                                     | -                   | Flap              |                                |             |
| Name of designer / navrh                                                            | Ing Martin Zahálka  | Weight / hmotnost | kg                             | Page / list |
| Date of issue / datum vydání                                                        | 26.2.2010           | Scale / měřítko   | Drawing number / číslo výkresu |             |
| Revision / změna                                                                    |                     | S110_500_00-1     |                                |             |
| Date of revision / datum změny                                                      |                     |                   |                                |             |
| Pcs. / kusů                                                                         | -                   |                   |                                |             |

|             |                      |                           |                                |
|-------------|----------------------|---------------------------|--------------------------------|
| 9           | Screw M6 x 20        |                           | DIN 912                        |
| 8           | Flap plate with nuts |                           | s110_560_00-1                  |
| 7           | Flap control hinge   |                           | s110_550_00-1                  |
| 6           | Flap hinges          |                           | s110_540_00-1                  |
| 5           |                      | Flap end rib              | s110_532_00-1                  |
| 4           |                      | Flap root rib             | s110_531_00-1                  |
| -           | Flap ribs            |                           | s110_530_00-1                  |
| 3           | Flap spar            |                           | s110_520_00-1                  |
| 2           |                      | Bottom flap skin          | s110_512_00-1                  |
| 1           |                      | Upper flap skin           | s110_511_00-1                  |
| -           | Flap skin            |                           | s110_510_00-1                  |
| Pos. / poz. | Assembly / sestava   | Sub assembly / podsestava | Drawing number / číslo výkresu |


|                                                                                     |                     |                   |                                |
|-------------------------------------------------------------------------------------|---------------------|-------------------|--------------------------------|
|  | Material / materiál | Part name / název |                                |
|                                                                                     |                     | Flap              |                                |
| Name of designer / návrh                                                            | Ing Martin Zahálka  | Weight / hmotnost | kg                             |
| Date of issue / datum vydání                                                        | 26.2.2010           | Page / list       | 2 / 2                          |
| Revision / změna                                                                    |                     | Scale / měřítko   | Drawing number / číslo výkresu |
| Date of revision / datum změny                                                      |                     |                   | S110_500_00-1                  |
| Pcs. / kusů                                                                         | -                   |                   |                                |

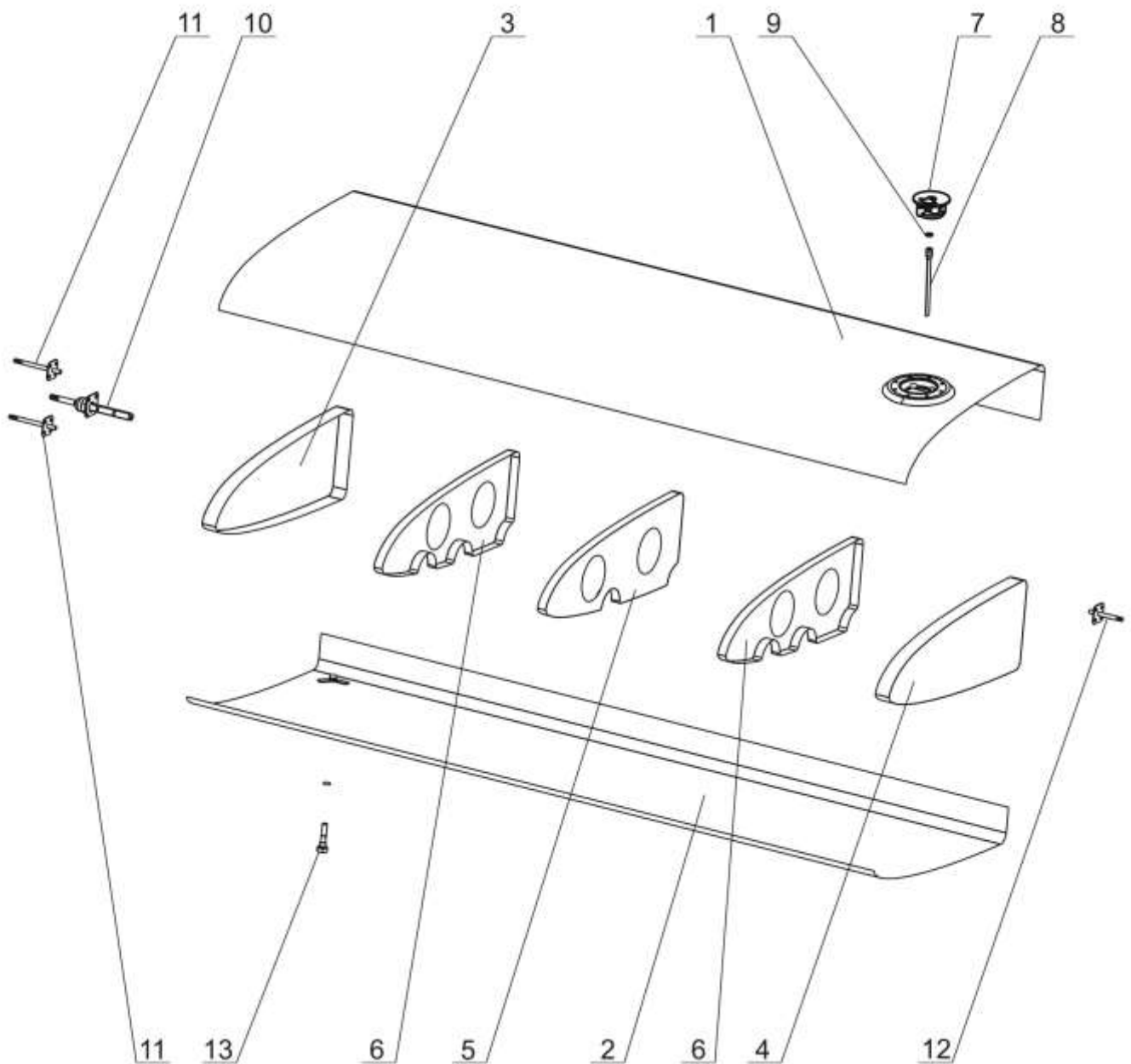





|                                                                                     |                     |                   |                                |             |
|-------------------------------------------------------------------------------------|---------------------|-------------------|--------------------------------|-------------|
|  | Material / materiál | Part name / název |                                |             |
|                                                                                     | -                   | Aileron           |                                |             |
| Name of designer / navrh                                                            | Ing Martin Zahálka  | Weight / hmotnost | kg                             | Page / list |
| Date of issue / datum vydání                                                        | 26.2.2010           | Scale / měřítko   | Drawing number / číslo výkresu |             |
| Revision / změna                                                                    |                     | S110_600_00-1     |                                |             |
| Date of revision / datum změny                                                      |                     |                   |                                |             |
| Pcs. / kusů                                                                         | -                   |                   |                                |             |


|             |                         |                           |                                |
|-------------|-------------------------|---------------------------|--------------------------------|
| 9           | Screw M6 x 20           |                           | DIN 912                        |
| 8           | Aileron plate with nuts |                           | s110_660_00-1                  |
| 7           | Aileron control hinge   |                           | s110_650_00-1                  |
| 6           | Aileron hinges          |                           | s110_640_00-1                  |
| 5           |                         | Aileron end rib           | s110_632_00-1                  |
| 4           |                         | Aileron root rib          | s110_631_00-1                  |
| -           | Aileron ribs            |                           | s110_630_00-1                  |
| 3           | Aileron spar            |                           | s110_620_00-1                  |
| 2           |                         | Bottom aileron skin       | s110_612_00-1                  |
| 1           |                         | Upper aileron skin        | s110_611_00-1                  |
| -           | Aileron skin            |                           | s110_610_00-1                  |
| Pos. / poz. | Assembly / sestava      | Sub assembly / podsestava | Drawing number / číslo výkresu |

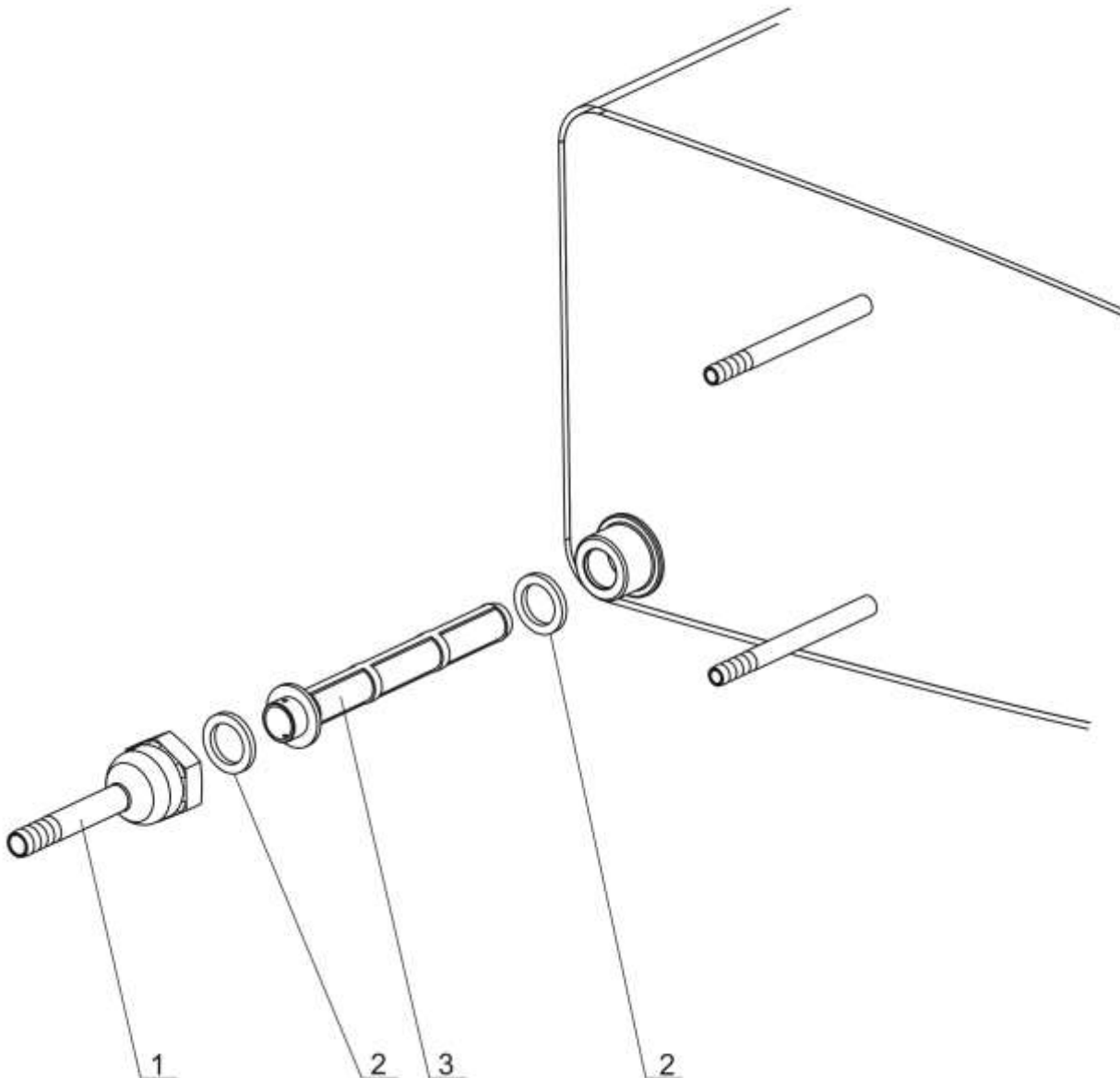
|                                                                                     |                     |                   |                                |
|-------------------------------------------------------------------------------------|---------------------|-------------------|--------------------------------|
|  | Material / materiál | Part name / název |                                |
|                                                                                     |                     | Aileron           |                                |
| Name of designer / navrh                                                            | Ing Martin Zahálka  | Weight / hmotnost | kg                             |
| Date of issue / datum vydání                                                        | 26.2.2010           | Page / list       | 2 / 2                          |
| Revision / změna                                                                    |                     | Scale / měřítko   | Drawing number / číslo výkresu |
| Date of revision / datum změny                                                      |                     |                   | S110_600_00-1                  |
| Pcs. / kusů                                                                         | -                   |                   |                                |




|                                                                                     |                     |                   |                                |
|-------------------------------------------------------------------------------------|---------------------|-------------------|--------------------------------|
|  | Material / materiál | Part name / název |                                |
|                                                                                     | -                   | Fuel tank         |                                |
| Name of designer / navrhl                                                           | Ing Martin Zahálka  | Weight / hmotnost | Page / list                    |
| Date of issue / datum vydání                                                        | 26.2.2010           | kg                | 1 / 2                          |
| Revision / změna                                                                    |                     | Scale / měřítko   | Drawing number / číslo výkresu |
| Date of revision / datum změny                                                      |                     |                   | S111_000_00-1                  |
| Pcs. / kusů                                                                         | -                   |                   |                                |

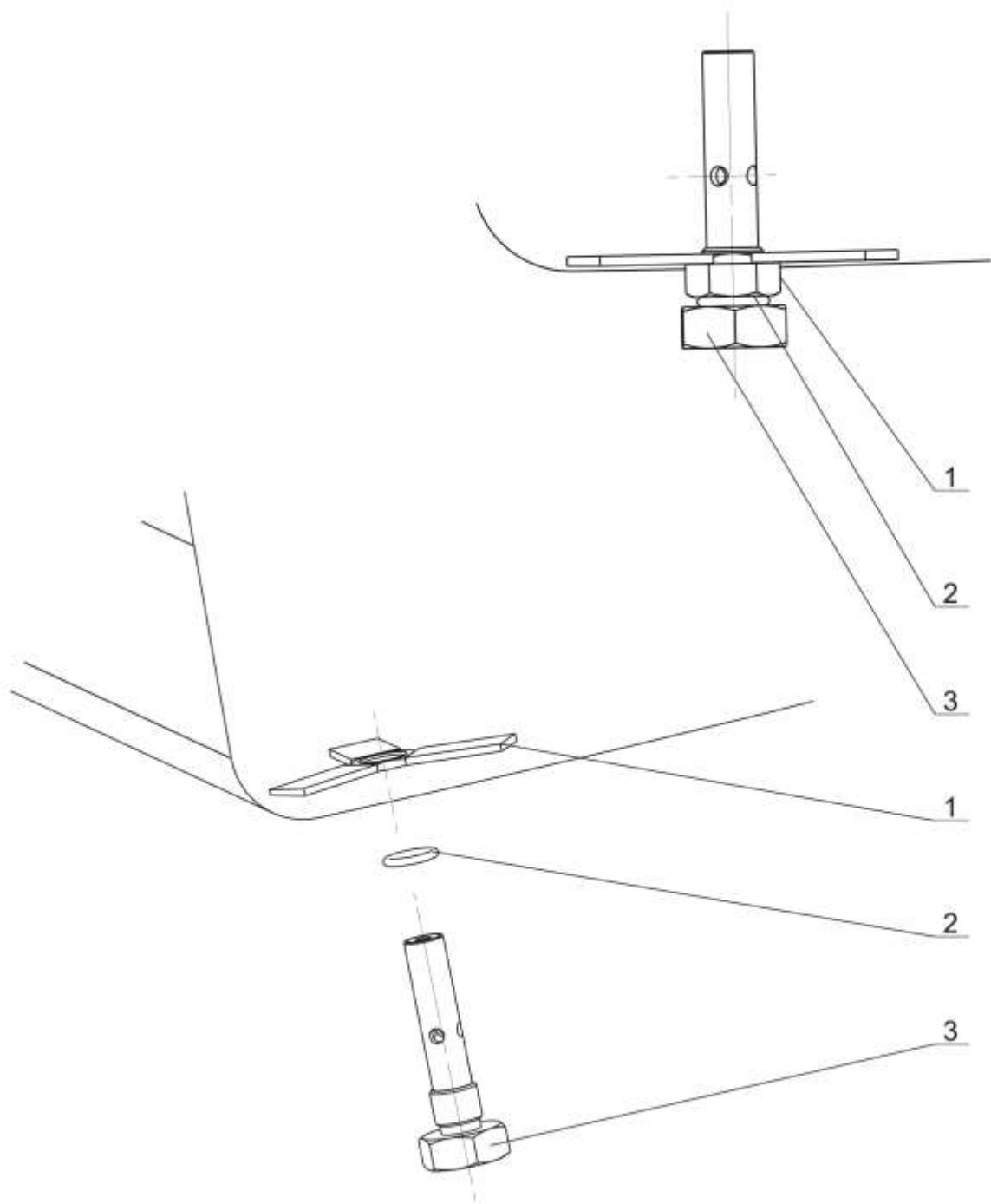
|             |                       |                           |                                |
|-------------|-----------------------|---------------------------|--------------------------------|
| 13          | Fuel tank drain valve |                           | s111_800_00-1                  |
| 12          | Fuel tank beak        |                           | s111_700_00-1                  |
| 11          | Fuel gauge beak       |                           | s111_600_00-1                  |
| 10          | Fuel tank sunction    |                           | s111_400_00-1                  |
| 9           |                       | Fuel tank filling washer  | s111_340_00-1                  |
| 8           |                       | Fuel tank filling gauge   | s111_330_00-1                  |
| 7           |                       | Fuel tank filling cap     | s111_310_00-1                  |
| -           | Fuel tank filling     |                           | s111_300_00-1                  |
| 6           |                       | Fuel tank inner rib       | s111_240_00-1                  |
| 5           |                       | Fuel tank central rib     | s111_230_00-1                  |
| 4           |                       | Fuel tank end rib         | s111_220_00-1                  |
| 3           |                       | Fuel tank root rib        | s111_210_00-1                  |
| -           | Fuel tank ribs        |                           | s111_200_00-1                  |
| 2           |                       | Fuel tank bottom skin     | s111_120_00-1                  |
| 1           |                       | Fuel tank upper skin      | s111_110_00-1                  |
| -           | Fuel tank skin        |                           | s111_100_00-1                  |
| Pos. / poz. | Assembly / sestava    | Sub assembly / podsestava | Drawing number / číslo výkresu |

|                                                                                     |                     |                   |                                |
|-------------------------------------------------------------------------------------|---------------------|-------------------|--------------------------------|
|  | Material / materiál | Part name / název |                                |
|                                                                                     | -                   | Fuel tank         |                                |
| Name of designer / navrh                                                            | Ing Martin Zahálka  | Weight / hmotnost | kg                             |
| Date of issue / datum vydání                                                        | 26.2.2010           | Page / list       | 2 / 2                          |
| Revision / změna                                                                    |                     | Scale / měřítko   | Drawing number / číslo výkresu |
| Date of revision / datum změny                                                      |                     |                   | S111_000_00-1                  |
| Pcs. / kusů                                                                         | -                   |                   |                                |




|             |                    |                           |                                |
|-------------|--------------------|---------------------------|--------------------------------|
| 3           | Fuel tank filter   |                           | s111_414_00-1                  |
| 2           | Sealing O - ring   |                           | s111_413_00-1                  |
| 1           | Fuel suction beak  |                           | s111_412_00-1                  |
| Pos. / poz. | Assembly / sestava | Sub assembly / podsestava | Drawing number / číslo výkresu |

|                                                                                     |                     |                   |                                |
|-------------------------------------------------------------------------------------|---------------------|-------------------|--------------------------------|
|  | Material / materiál | Part name / název |                                |
|                                                                                     | -                   | Fuel tank suction |                                |
| Name of designer / návrh                                                            | Ing Martin Zahálka  | Weight / hmotnost | kg                             |
| Date of issue / datum vydání                                                        | 26.2.2010           | Page / list       | 1 / 1                          |
| Revision / změna                                                                    |                     | Scale / měřítko   | Drawing number / číslo výkresu |
| Date of revision / datum změny                                                      |                     |                   | S111_400_00-1                  |
| Pcs. / kusů                                                                         | -                   |                   |                                |

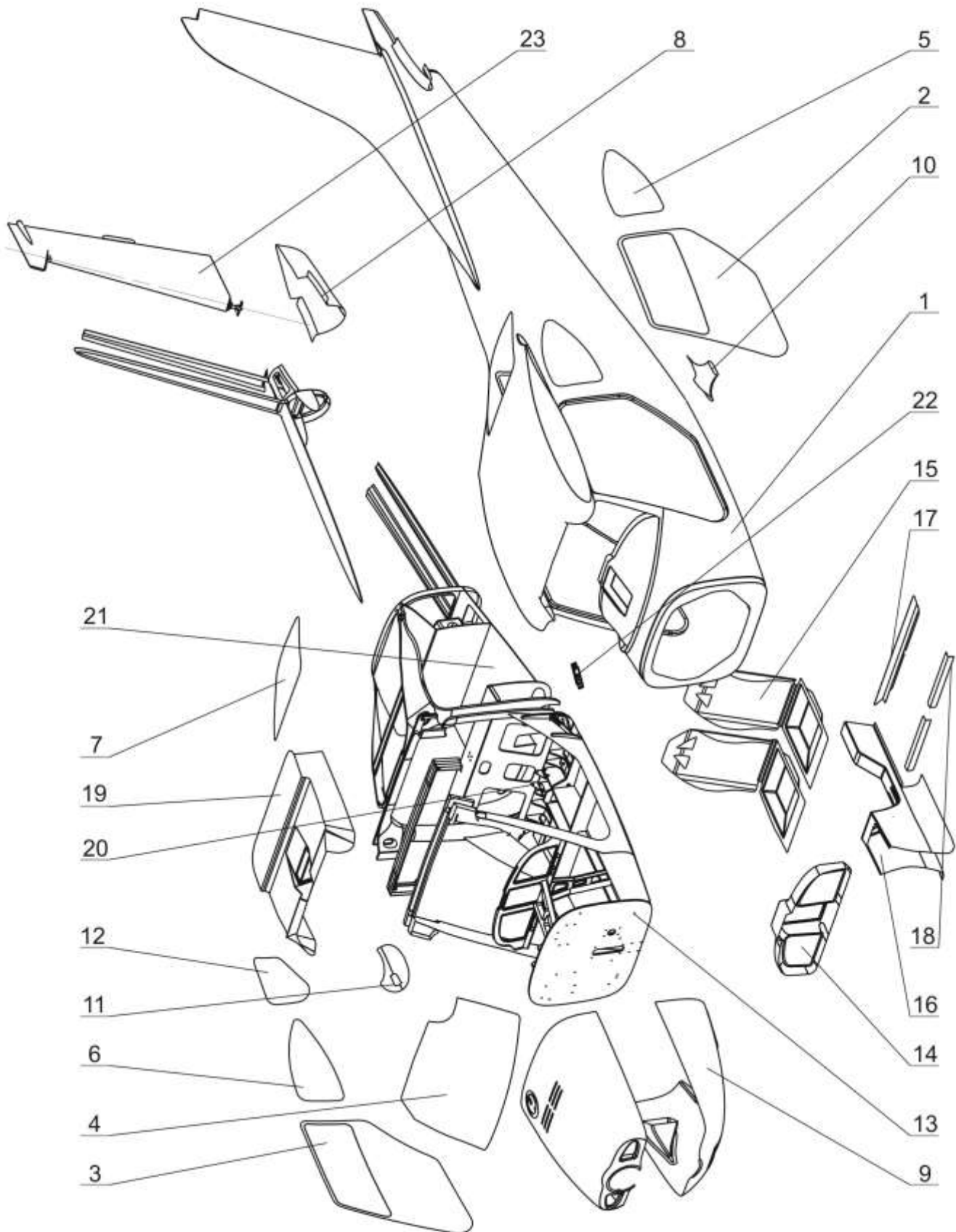



|             |                     |                           |                                |
|-------------|---------------------|---------------------------|--------------------------------|
| 3           | Fuel drain screw    |                           | F - 391 - 32                   |
| 2           | Sealing O - ring    |                           | s111_820_00-1                  |
| 1           | Fuel tank drain nut |                           | s111_810_00-1                  |
| Pos. / poz. | Assembly / sestava  | Sub assembly / podsestava | Drawing number / číslo výkresu |

|                                                                                     |                     |                   |                                |
|-------------------------------------------------------------------------------------|---------------------|-------------------|--------------------------------|
|  | Material / materiál | Part name / název |                                |
|                                                                                     | -                   | Fuel tank drain   |                                |
| Name of designer / návrh                                                            | Ing Martin Zahálka  | Weight / hmotnost | kg                             |
| Date of issue / datum vydání                                                        | 26.2.2010           | Page / list       | 1 / 1                          |
| Revision / změna                                                                    |                     | Scale / měřítko   | Drawing number / číslo výkresu |
| Date of revision / datum změny                                                      |                     |                   | S111_800_00-1                  |
| Pcs. / kusů                                                                         | -                   |                   |                                |

S200\_000\_00-1\_Fuselage




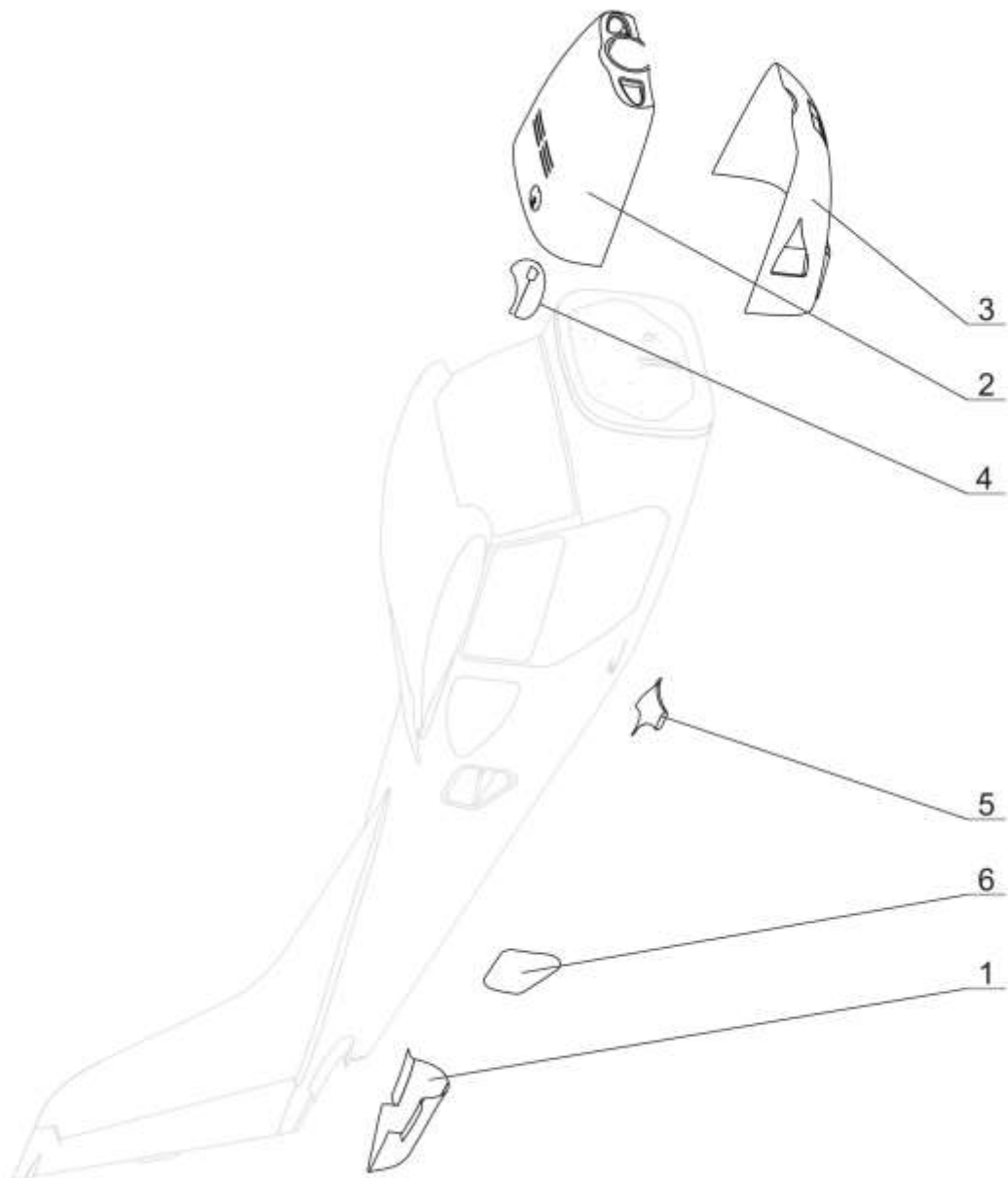


|                                                                                     |                     |                      |                                |                   |
|-------------------------------------------------------------------------------------|---------------------|----------------------|--------------------------------|-------------------|
|  | Material / materiál | Part name / název    |                                |                   |
|                                                                                     |                     | <b>Fuselage</b>      |                                |                   |
| Name of designer / navrh                                                            | Ing Martin Zahálka  | Weight / hmotnost    | kg                             | Page / list 1 / 2 |
| Date of issue / datum vydání                                                        | 26.2.2010           | Scale / měřítko      | Drawing number / číslo výkresu |                   |
| Revision / změna                                                                    |                     | <b>S200_000_00-1</b> |                                |                   |
| Date of revision / datum změny                                                      |                     |                      |                                |                   |
| Pcs. / kusů                                                                         | 1                   |                      |                                |                   |




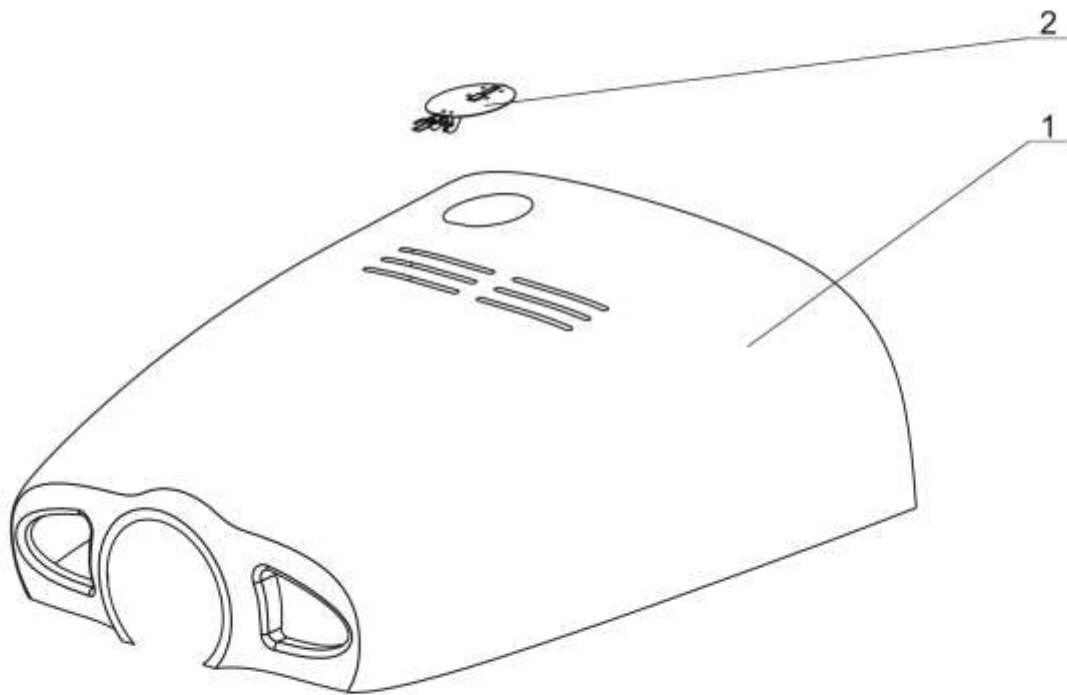
|             |                         |                             |                                |
|-------------|-------------------------|-----------------------------|--------------------------------|
| 23          | Rudder                  |                             | s210_000_00-1                  |
| 22          |                         | Strut - fuselage fitting    | s200_810_00-1                  |
| -           | Fuselage fittings       |                             | s200_800_00-1                  |
| 21          | Baggage compartment     |                             | s200_700_00-1                  |
| 20          |                         | Seat belt attachments       | s200_670_00-1                  |
| 19          |                         | Canopy ceiling cover        | s200_660_00-1                  |
| 18          |                         | L - profil                  | s200_650_00-1                  |
| 17          |                         | Y - profil                  | s200_640_00-1                  |
| 16          |                         | Central console             | s200_630_00-1                  |
| 15          |                         | Seat                        | s200_620_00-1                  |
| 14          |                         | Panel board                 | s200_610_00-1                  |
| -           | Interior parts          |                             | s200_600_00-1                  |
| 13          | Fus. inner construction |                             | s200_500_00-1                  |
| 12          |                         | Rescue system cover         | s200_440_00-1                  |
| 11          |                         | Undercarriage cover - right | s200_432_00-1                  |
| 10          |                         | Undercarriage cover - left  | s200_431_00-1                  |
| 9           |                         | Cowlings                    | s200_420_00-1                  |
| 8           |                         | Tail cone                   | s200_410_00-1                  |
| -           | Fuselage covers         |                             | s200_400_00-1                  |
| 7           |                         | Rear window                 | s200_340_00-1                  |
| 6           |                         | Right side window           | s200_330_00-1                  |
| 5           |                         | Left side window            | s200_320_00-1                  |
| 4           |                         | Front window                | s200_310_00-1                  |
| -           | Transparent parts       |                             | s200_300_00-1                  |
| 3           |                         | Right door                  | s200_220_00-1                  |
| 2           |                         | Left door                   | s200_210_00-1                  |
| -           | Doors                   |                             | s200_200_00-1                  |
| 1           | Fuselage airframe       |                             | s200_100_00-1                  |
| Pos. / poz. | Assembly / sestava      | Sub assembly / podsestava   | Drawing number / číslo výkresu |

|                                                                                     |                     |                   |                                |
|-------------------------------------------------------------------------------------|---------------------|-------------------|--------------------------------|
|  | Material / materiál | Part name / název |                                |
|                                                                                     |                     | Fuselage          |                                |
| Name of designer / navrh                                                            | Ing Martin Zahálka  | Weight / hmotnost | kg                             |
| Date of issue / datum vydání                                                        | 26.2.2010           | Page / list       | 2 / 2                          |
| Revision / změna                                                                    |                     | Scale / měřítko   | Drawing number / číslo výkresu |
| Date of revision / datum změny                                                      |                     |                   | S200_000_00-1                  |
| Pcs. / kusů                                                                         | 1                   |                   |                                |




|             |                      |                             |                                |
|-------------|----------------------|-----------------------------|--------------------------------|
| 6           | Rescue system cover  |                             | s200_440_00-1                  |
| 5           |                      | Undercarriage cover - right | s200_432_00-1                  |
| 4           |                      | Undercarriage cover - left  | s200_431_00-1                  |
| -           | Undercarriage covers |                             | s200_430_00-1                  |
| 3           |                      | Bottom cowling              | s200_422_00-1                  |
| 2           |                      | Upper cowling               | s200_421_00-1                  |
| -           | Cowlings             |                             | s200_420_00-1                  |
| 1           | Tail cone            |                             | s200_410_00-1                  |
| Pos. / poz. | Assembly / sestava   | Sub assembly / podsestava   | Drawing number / číslo výkresu |

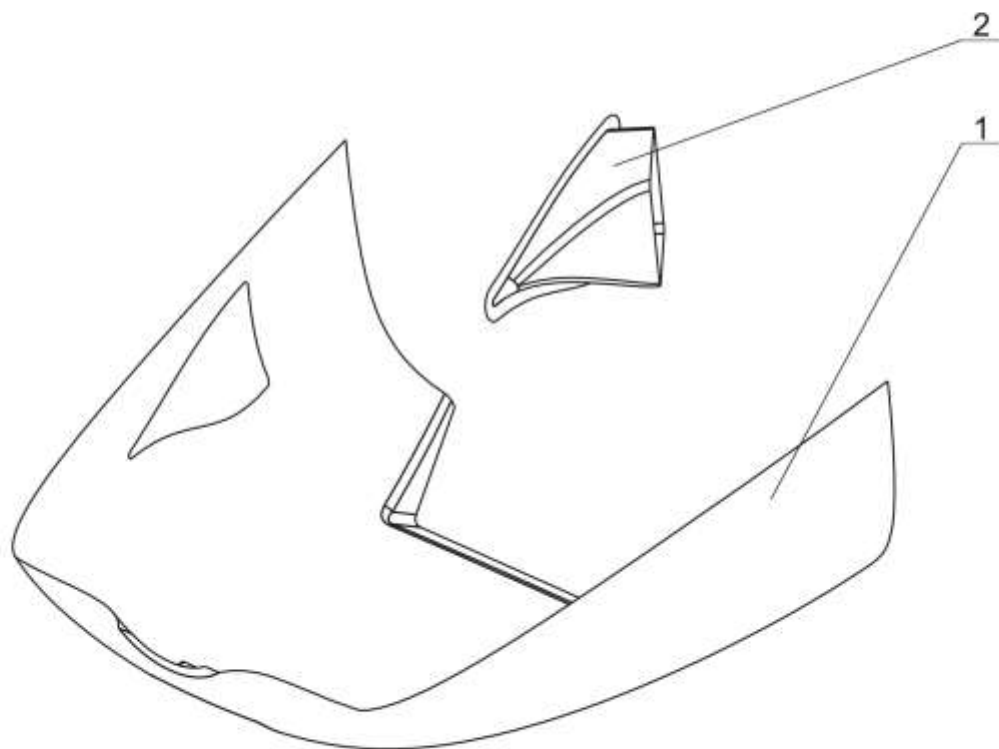
|                                                                                     |                     |                                |     |
|-------------------------------------------------------------------------------------|---------------------|--------------------------------|-----|
|  | Material / materiál | Part name / název              |     |
|                                                                                     | -                   | Fuselage covers                |     |
| Name of designer / navrh                                                            | Ing Martin Zahálka  | Weight / hmotnost              | kg  |
| Date of issue / datum vydání                                                        | 26.2.2010           | Page / list                    | 1/1 |
| Revision / změna                                                                    |                     | Drawing number / číslo výkresu |     |
| Date of revision / datum změny                                                      |                     | S200_400_00-1                  |     |
| Pcs. / kusů                                                                         | -                   |                                |     |




|             |                          |                           |                                |
|-------------|--------------------------|---------------------------|--------------------------------|
| 2           | Control oil cap assembly |                           | s200_421_20-1                  |
| 1           | Laminate part of cowling |                           | s200_421_10-1                  |
| Pos. / poz. | Assembly / sestava       | Sub assembly / podsestava | Drawing number / číslo výkresu |

|                                                                                     |                     |                   |                                |
|-------------------------------------------------------------------------------------|---------------------|-------------------|--------------------------------|
|  | Material / materiál | Part name / název |                                |
|                                                                                     | -                   | Upper cowling     |                                |
| Name of designer / navrh                                                            | Ing Martin Zahálka  | Weight / hmotnost | kg                             |
| Date of issue / datum vydání                                                        | 26.2.2010           | Page / list       | 1/1                            |
| Revision / změna                                                                    |                     | Scale / měřítko   | Drawing number / číslo výkresu |
| Date of revision / datum změny                                                      |                     |                   | S200_421_00-1                  |
| Pcs. / kusů                                                                         | 1                   |                   |                                |

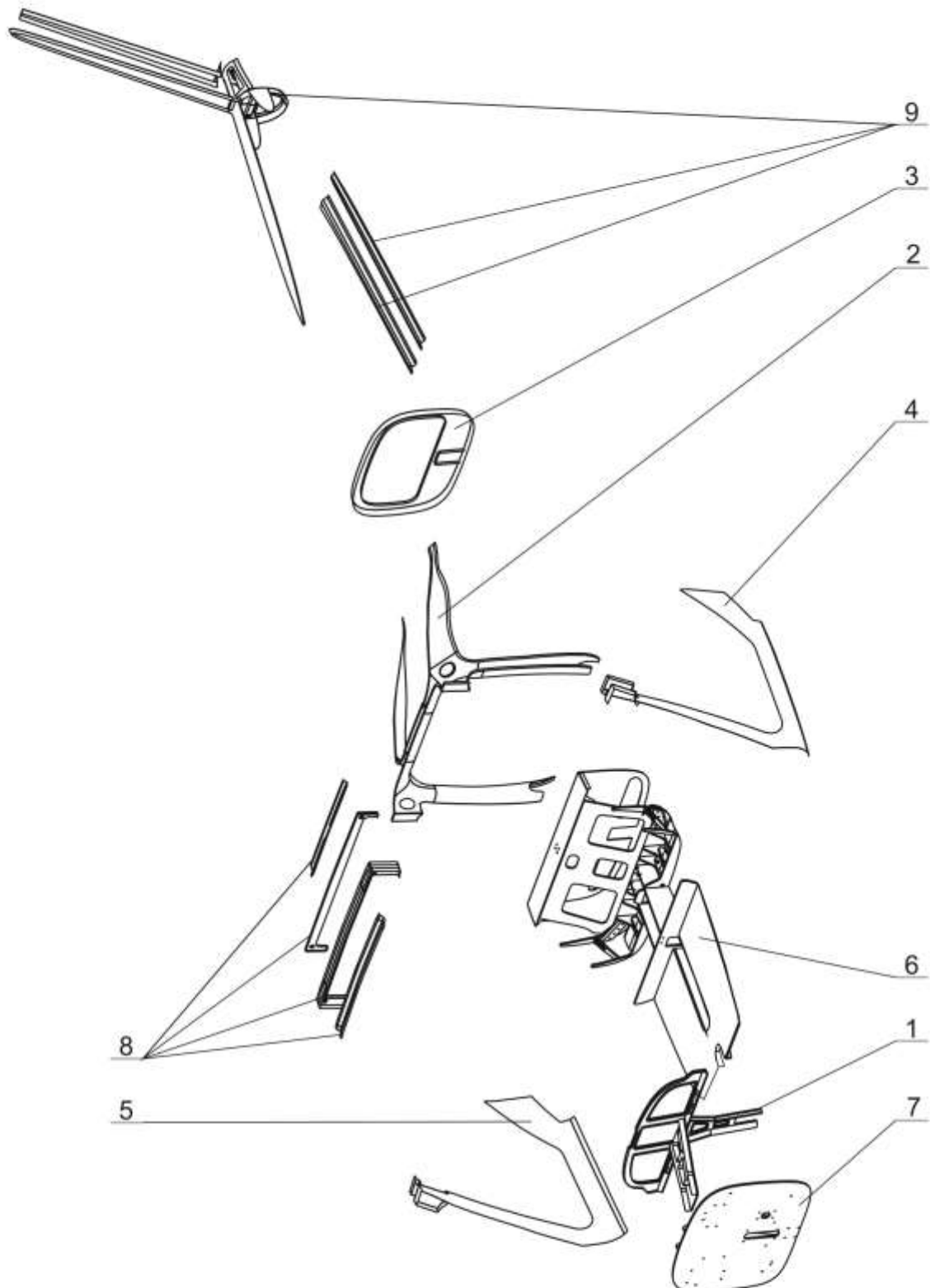





|             |                          |                           |                                |
|-------------|--------------------------|---------------------------|--------------------------------|
| 2           | Oil cooler air intake    |                           | s200_422_20-1                  |
| 1           | Laminate part of cowling |                           | s200_422_10-1                  |
| Pos. / poz. | Assembly / sestava       | Sub assembly / podsestava | Drawing number / číslo výkresu |


|                                                                                     |                     |                   |                                |
|-------------------------------------------------------------------------------------|---------------------|-------------------|--------------------------------|
|  | Material / materiál | Part name / název |                                |
|                                                                                     | -                   | Bottom cowling    |                                |
| Name of designer / navrh                                                            | Ing Martin Zahálka  | Weight / hmotnost | kg                             |
| Date of issue / datum vydání                                                        | 26.2.2010           | Page / list       | 1/1                            |
| Revision / změna                                                                    |                     | Scale / měřítko   | Drawing number / číslo výkresu |
| Date of revision / datum změny                                                      |                     |                   | S200_422_00-1                  |
| Pcs. / kusů                                                                         | 1                   |                   |                                |

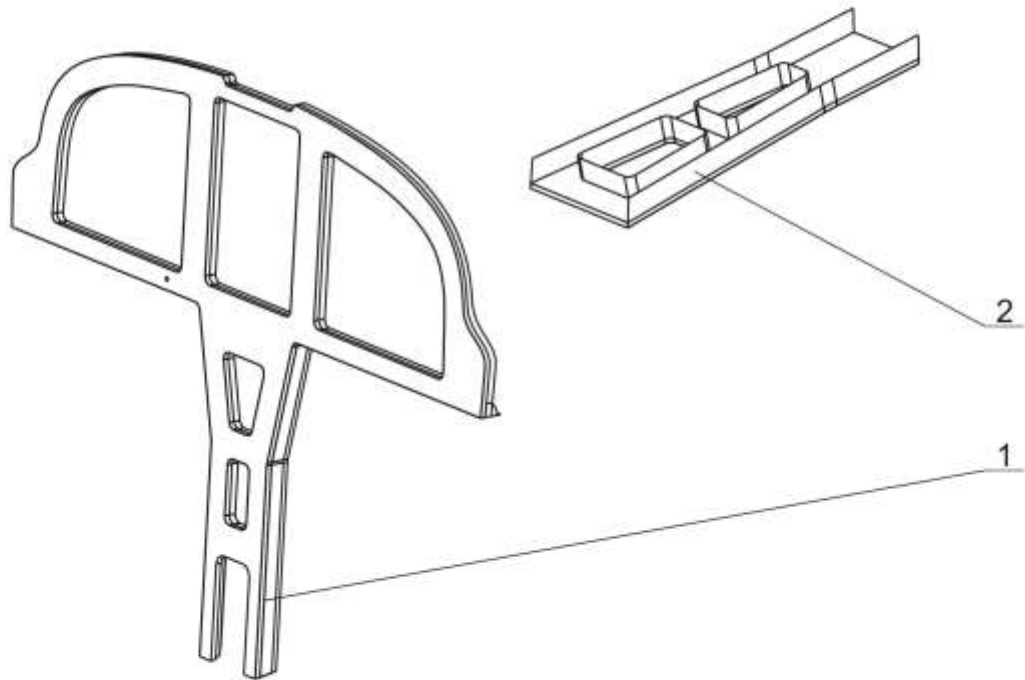





|                                                                                     |                          |                    |  |                 |                   |                                |                             |             |
|-------------------------------------------------------------------------------------|--------------------------|--------------------|--|-----------------|-------------------|--------------------------------|-----------------------------|-------------|
|  | Material / materiál      | -                  |  |                 | Part name / název |                                | Fuselage inner construction |             |
|                                                                                     | Name of designer / navrh | Ing Martin Zahálka |  |                 | Weight / hmotnost |                                | kg                          | Page / list |
| Date of issue / datum vydání                                                        | 26.2.2010                |                    |  | Scale / měřítko |                   | Drawing number / číslo výkresu |                             |             |
| Revision / změna                                                                    |                          |                    |  |                 |                   | S200_500_00-1                  |                             |             |
| Date of revision / datum změny                                                      |                          |                    |  |                 |                   |                                |                             |             |
| Pcs. / kusů                                                                         | 1                        |                    |  |                 |                   |                                |                             |             |

|             |                            |                           |                                |
|-------------|----------------------------|---------------------------|--------------------------------|
| 9           | Fuselage tail construction |                           | s200_580_00-1                  |
| 8           | Central reinforcements     |                           | s200_570_00-1                  |
| 7           | Engine firewall            |                           | s200_560_00-1                  |
| 6           | Cockpit bulkheads          |                           | s200_550_00-1                  |
| 5           |                            | Right cockpit sidewall    | s200_542_00-1                  |
| 4           |                            | Left cockpit sidewall     | s200_541_00-1                  |
| -           | Cockpit sidewalls          |                           | s200_540_00-1                  |
| 3           | Rear baggage bulkhead      |                           | s200_530_00-1                  |
| 2           | Fuselage pillar assembly   |                           | s200_520_00-1                  |
| 1           | Panel board bulkheads      |                           | s200_510_00-1                  |
| Pos. / poz. | Assembly / sestava         | Sub assembly / podsestava | Drawing number / číslo výkresu |

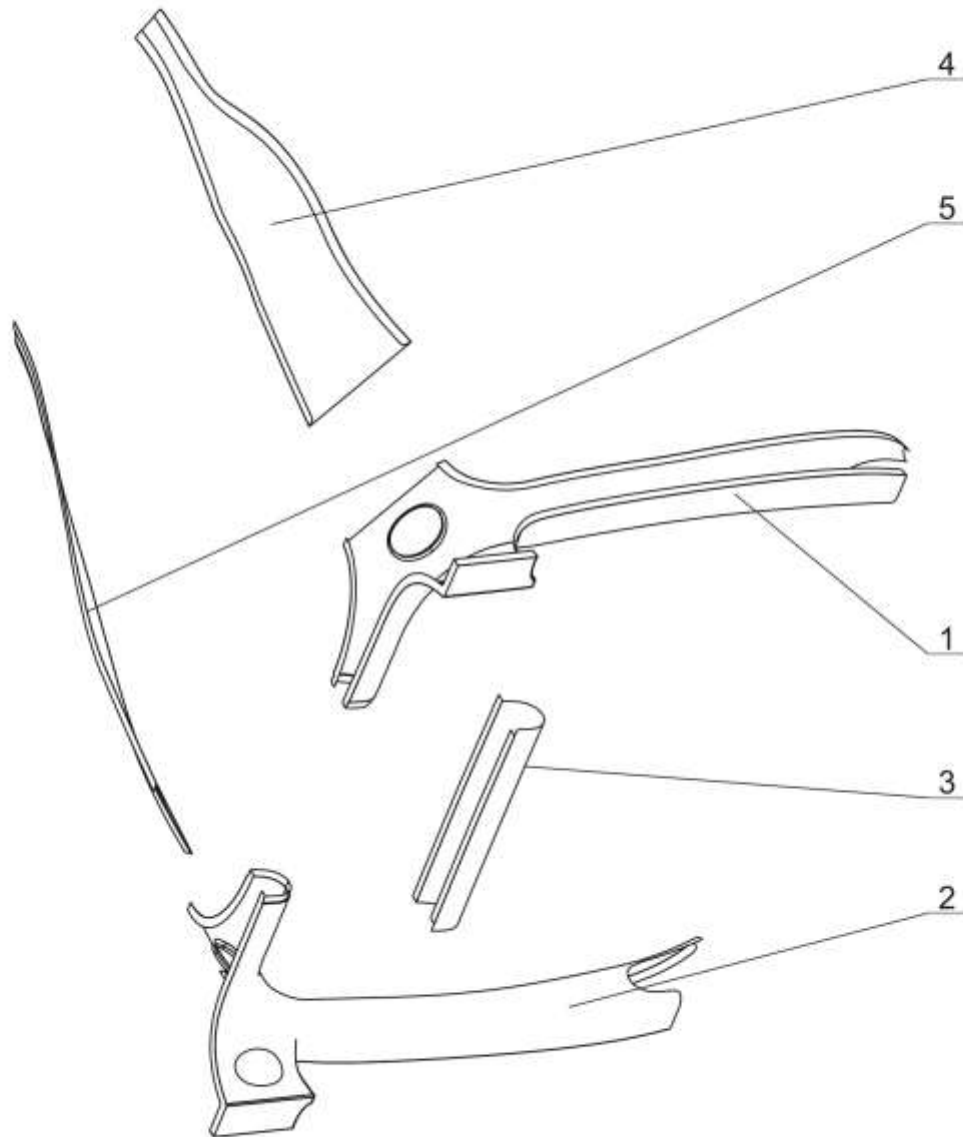
|                                                                                     |                     |                             |                                |
|-------------------------------------------------------------------------------------|---------------------|-----------------------------|--------------------------------|
|  | Material / materiál | Part name / název           |                                |
|                                                                                     |                     | Fuselage inner construction |                                |
| Name of designer / návrh                                                            | Ing Martin Zahálka  | Weight / hmotnost           | kg                             |
| Date of issue / datum vydání                                                        | 26.2.2010           | Page / list                 | 2 / 2                          |
| Revision / změna                                                                    |                     | Scale / měřítko             | Drawing number / číslo výkresu |
| Date of revision / datum změny                                                      |                     |                             | S200_500_00-1                  |
| Pcs. / kusů                                                                         | 1                   |                             |                                |




|             |                            |                           |                                |
|-------------|----------------------------|---------------------------|--------------------------------|
| 2           | Horiz. panel b. bulkhead   |                           | s200_512_00-1                  |
| 1           | Vertical panel b. bulkhead |                           | s200_511_00-1                  |
| Pos. / poz. | Assembly / sestava         | Sub assembly / podsestava | Drawing number / číslo výkresu |

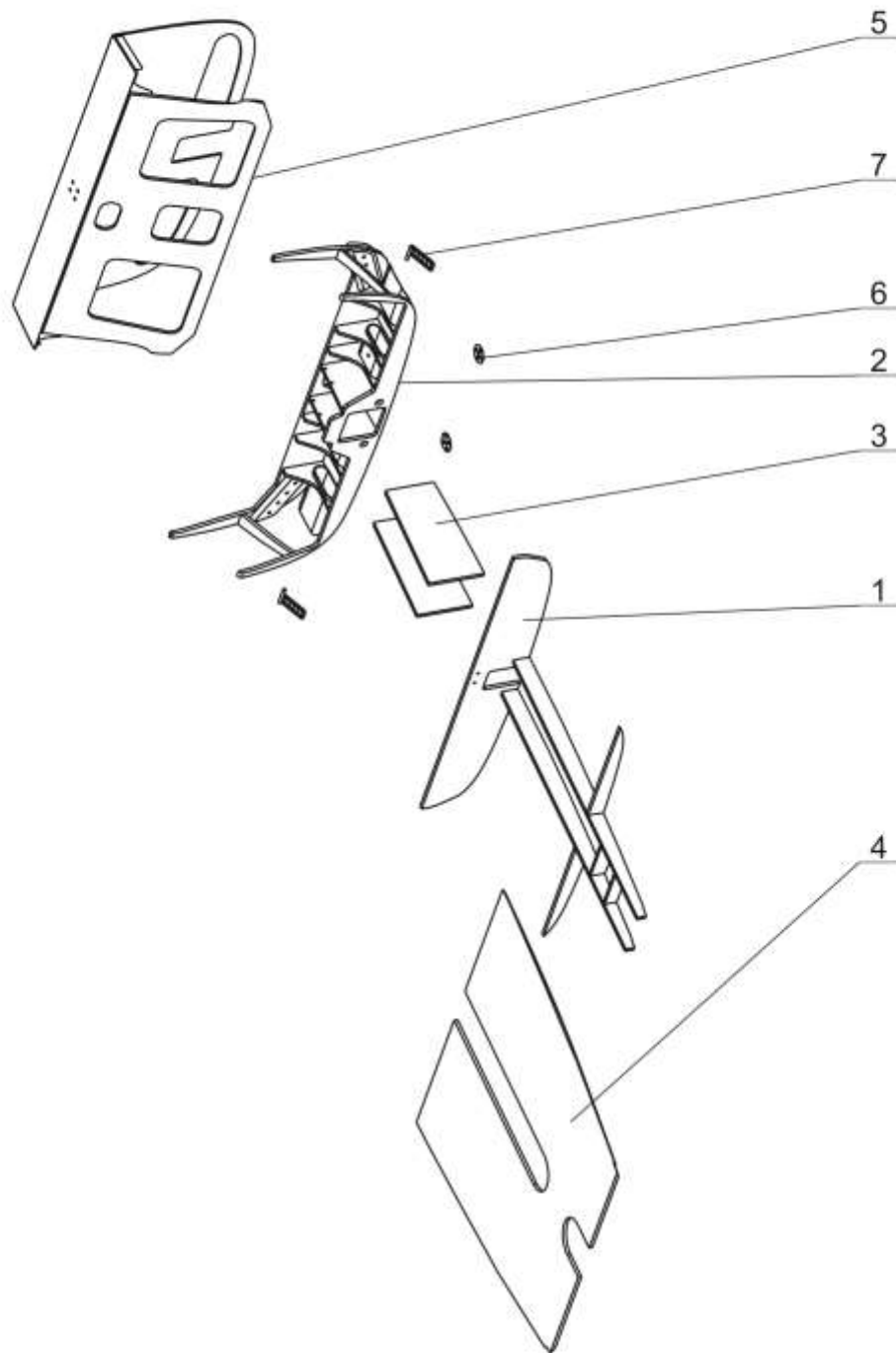
|                                                                                     |                     |                       |                                |
|-------------------------------------------------------------------------------------|---------------------|-----------------------|--------------------------------|
|  | Material / materiál | Part name / název     |                                |
|                                                                                     |                     | Panel board bulkheads |                                |
| Name of designer / navrh                                                            | Ing Martin Zahálka  | Weight / hmotnost     | kg                             |
| Date of issue / datum vydání                                                        | 26.2.2010           | Page / list           | 1/1                            |
| Revision / změna                                                                    |                     | Scale / měřítko       | Drawing number / číslo výkresu |
| Date of revision / datum změny                                                      |                     |                       | S200_510_00-1                  |
| Pcs. / kusů                                                                         | 1                   |                       |                                |







|             |                          |                           |                                |
|-------------|--------------------------|---------------------------|--------------------------------|
| 5           | Right rear reinforcement |                           | s200_525_00-1                  |
| 4           | Left rear reinforcement  |                           | s200_524_00-1                  |
| 3           | Pillar roof bridge       |                           | s200_523_00-1                  |
| 2           | Right fuselage pillar    |                           | s200_522_00-1                  |
| 1           | Left fuselage pillar     |                           | s200_521_00-1                  |
| Pos. / poz. | Assembly / sestava       | Sub assembly / podsestava | Drawing number / číslo výkresu |

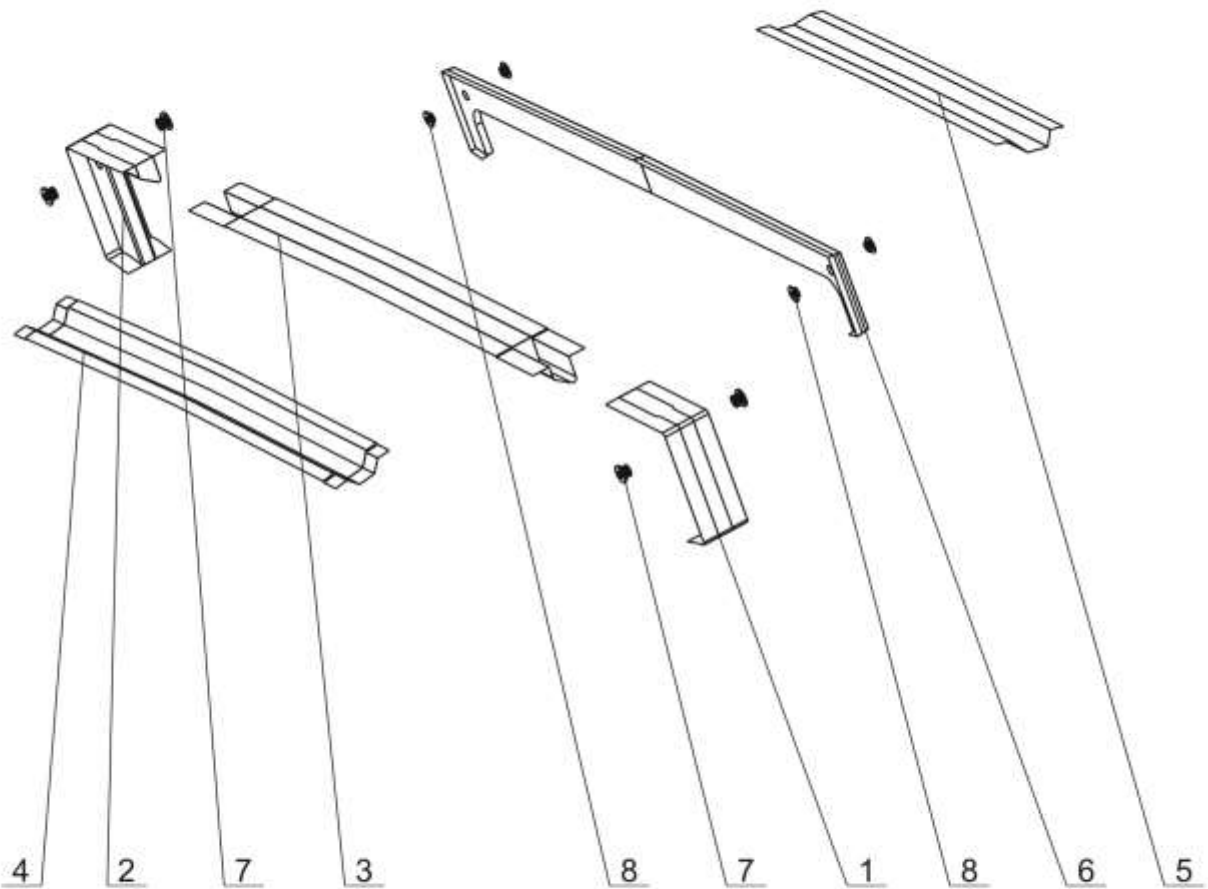
|                                                                                     |                     |                          |                                |
|-------------------------------------------------------------------------------------|---------------------|--------------------------|--------------------------------|
|  | Material / materiál | Part name / název        |                                |
|                                                                                     |                     | Fuselage pillar assembly |                                |
| Name of designer / návrh                                                            | Ing Martin Zahálka  | Weight / hmotnost        | kg                             |
| Date of issue / datum vydání                                                        | 26.2.2010           | Page / list              | 1/1                            |
| Revision / změna                                                                    |                     | Scale / měřítko          | Drawing number / číslo výkresu |
| Date of revision / datum změny                                                      |                     |                          | S200_520_00-1                  |
| Pcs. / kusů                                                                         | 1                   |                          |                                |




|                                                                                     |                     |                   |                                |             |
|-------------------------------------------------------------------------------------|---------------------|-------------------|--------------------------------|-------------|
|  | Material / materiál | Part name / název |                                |             |
|                                                                                     | -                   | Cockpit bulkheads |                                |             |
| Name of designer / navrh                                                            | Ing Martin Zahálka  | Weight / hmotnost | kg                             | Page / list |
| Date of issue / datum vydání                                                        | 26.2.2010           | Scale / měřítko   | Drawing number / číslo výkresu |             |
| Revision / změna                                                                    |                     | S200_550_00-1     |                                |             |
| Date of revision / datum změny                                                      |                     |                   |                                |             |
| Pcs. / kusů                                                                         | 1                   |                   |                                |             |

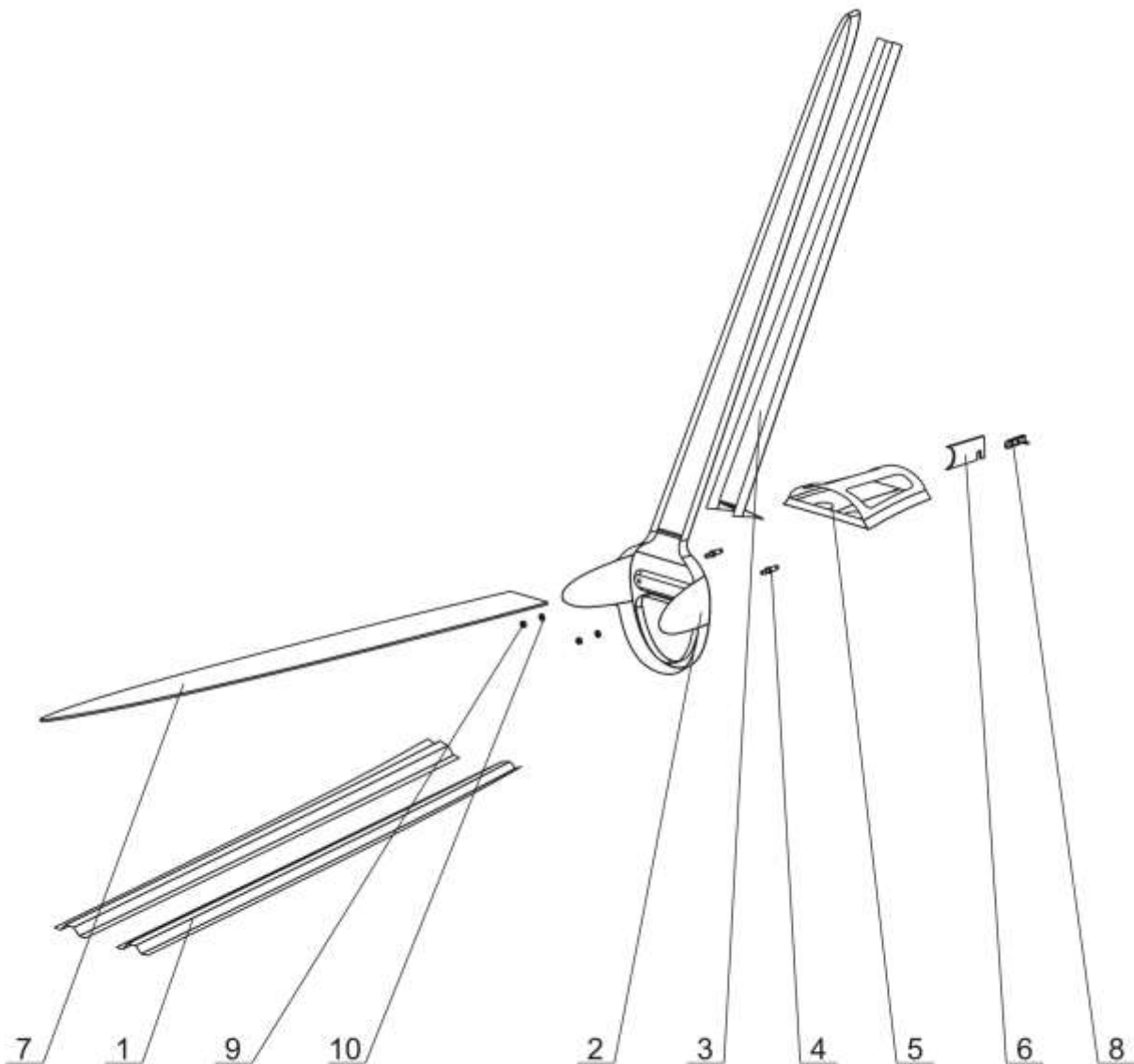
|             |                             |                           |                                |
|-------------|-----------------------------|---------------------------|--------------------------------|
| 7           | Belly belt outer attach.    |                           | s200_557_00-1                  |
| 6           | Main gear attach. nut       |                           | s200_556_00-1                  |
| 5           | Central fusel. bulkheads    |                           | s200_555_00-1                  |
| 4           | Pilot area floor            |                           | s200_554_00-1                  |
| 3           | Middle sidewall tunnel      |                           | s200_553_00-1                  |
| 2           | Undercarriage bulk. trestle |                           | s200_552_00-1                  |
| 1           | Front bulkhead trestle      |                           | s200_551_00-1                  |
| Pos. / poz. | Assembly / sestava          | Sub assembly / podsestava | Drawing number / číslo výkresu |

|                                                                                     |                     |                   |                                |
|-------------------------------------------------------------------------------------|---------------------|-------------------|--------------------------------|
|  | Material / materiál | Part name / název |                                |
|                                                                                     | -                   | Cockpit bulkheads |                                |
| Name of designer / navrh                                                            | Ing Martin Zahálka  | Weight / hmotnost | kg                             |
| Date of issue / datum vydání                                                        | 26.2.2010           | Page / list       | 2 / 2                          |
| Revision / změna                                                                    |                     | Scale / měřítko   | Drawing number / číslo výkresu |
| Date of revision / datum změny                                                      |                     |                   | S200_550_00-1                  |
| Pcs. / kusů                                                                         | 1                   |                   |                                |




|             |                           |                           |                                |
|-------------|---------------------------|---------------------------|--------------------------------|
| 8           | Rear spar suspens. case   |                           | s200_578_00-1                  |
| 7           | Main spar suspens. case   |                           | s200_577_00-1                  |
| 6           | Rear spar suspension      |                           | s200_576_00-1                  |
| 5           | Rear omega profile        |                           | s200_575_00-1                  |
| 4           | Front omega profile       |                           | s200_574_00-1                  |
| 3           | Main spar suspens. bridge |                           | s200_573_00-1                  |
| 2           | Right main spar suspens.  |                           | s200_572_00-1                  |
| 1           | Left main spar suspens.   |                           | s200_571_00-1                  |
| Pos. / poz. | Assembly / sestava        | Sub assembly / podsestava | Drawing number / číslo výkresu |

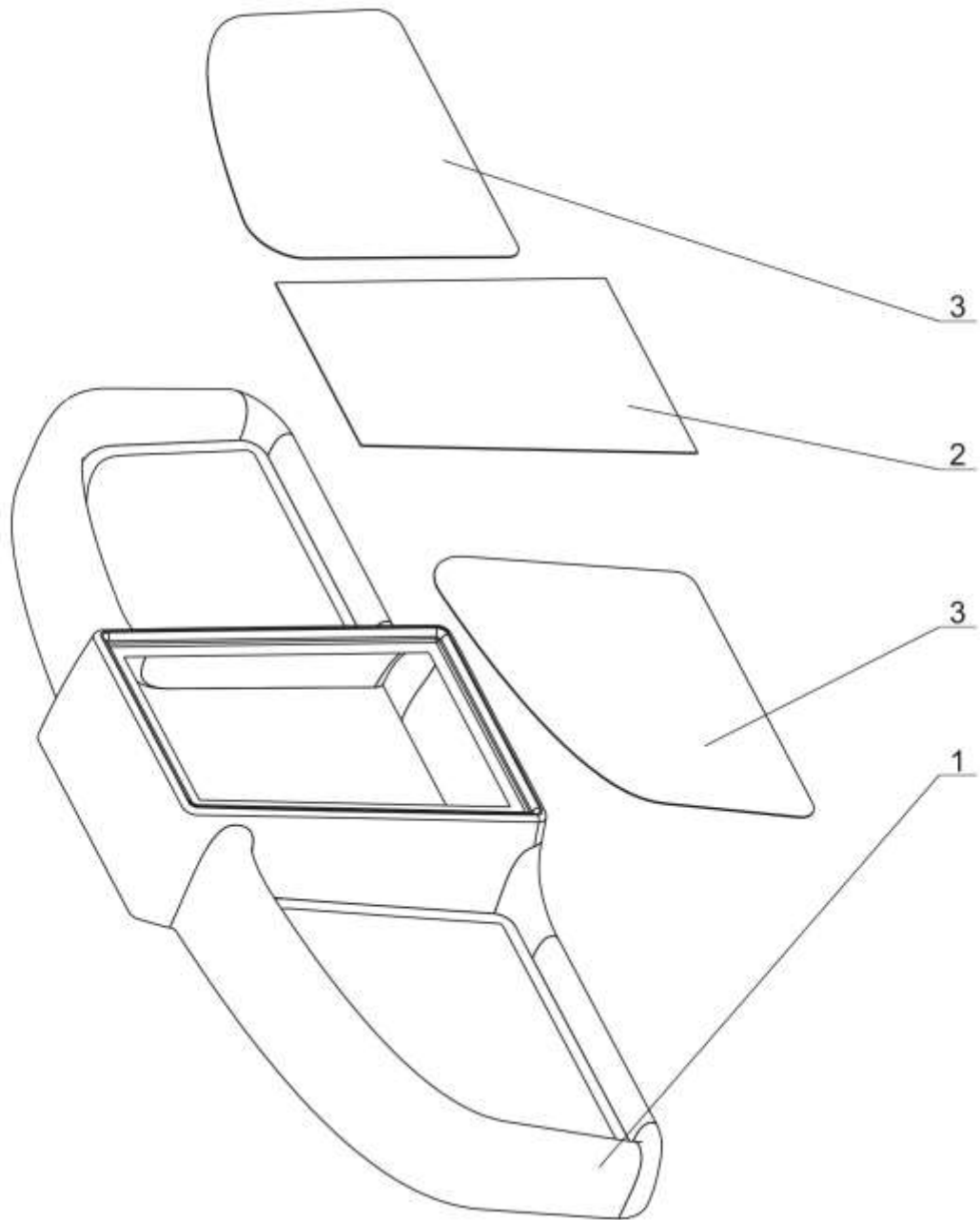
|                                                                                     |                     |                               |                                |
|-------------------------------------------------------------------------------------|---------------------|-------------------------------|--------------------------------|
|  | Material / materiál | Part name / název             |                                |
|                                                                                     |                     | <b>Central reinforcements</b> |                                |
| Name of designer / navrh                                                            | Ing Martin Zahálka  | Weight / hmotnost             | kg                             |
| Date of issue / datum vydání                                                        | 26.2.2010           | Page / list                   | 1 / 1                          |
| Revision / změna                                                                    |                     | Scale / měřítko               | Drawing number / číslo výkresu |
| Date of revision / datum změny                                                      |                     |                               | <b>S200_570_00-1</b>           |
| Pcs. / kusů                                                                         | 1                   |                               |                                |




|             |                             |                           |                                |
|-------------|-----------------------------|---------------------------|--------------------------------|
| 10          | Washer M 8                  |                           | ČSN 02 1721                    |
| 9           | Nut VM 8                    |                           | DIN 980                        |
| 8           | Elevator rear hinge nut     |                           | s200_588_00-1                  |
| 7           | Horiz. vertical fin bulkh.  |                           | s200_587_00-1                  |
| 6           | Elevator seat rib           |                           | s200_586_00-1                  |
| 5           | Elevator seat               |                           | s200_585_00-1                  |
| 4           | Elevator main hinge pin     |                           | s200_584_00-1                  |
| 3           | Rear vertical fin bulkhead  |                           | s200_583_00-1                  |
| 2           | Front vertical fin bulkhead |                           | s200_582_00-1                  |
| 1           | Fuselage omega profile      |                           | s200_581_00-1                  |
| Pos. / poz. | Assembly / sestava          | Sub assembly / podsestava | Drawing number / číslo výkresu |

|                                                                                     |                     |                                   |                                |
|-------------------------------------------------------------------------------------|---------------------|-----------------------------------|--------------------------------|
|  | Material / materiál | Part name / název                 |                                |
|                                                                                     |                     | <b>Fuselage tail construction</b> |                                |
| Name of designer / navrh                                                            | Ing Martin Zahálka  | Weight / hmotnost                 | kg                             |
| Date of issue / datum vydání                                                        | 26.2.2010           | Page / list                       | 1 / 1                          |
| Revision / změna                                                                    |                     | Scale / měřítko                   | Drawing number / číslo výkresu |
| Date of revision / datum změny                                                      |                     |                                   | <b>S200_580_00-1</b>           |
| Pcs. / kusů                                                                         | 1                   |                                   |                                |

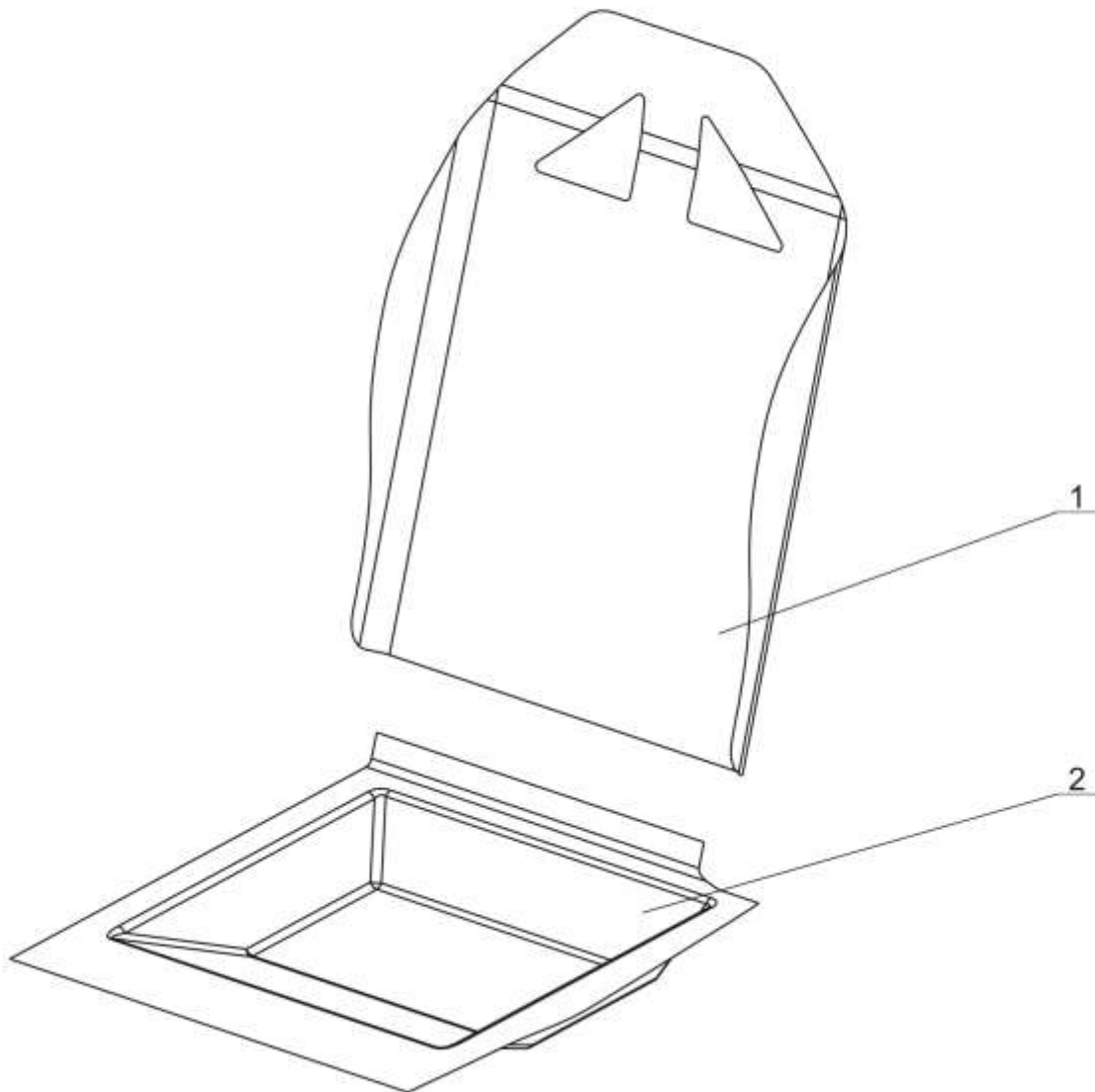





|             |                          |                           |                                |
|-------------|--------------------------|---------------------------|--------------------------------|
| 3           | Panel board side panel   |                           | 42 4254.61, t = 1 mm           |
| 2           | Panel board middle panel |                           | 42 4254.61, t = 1 mm           |
| 1           | Panel board frame        |                           | plastic                        |
| Pos. / poz. | Assembly / sestava       | Sub assembly / podsestava | Drawing number / číslo výkresu |

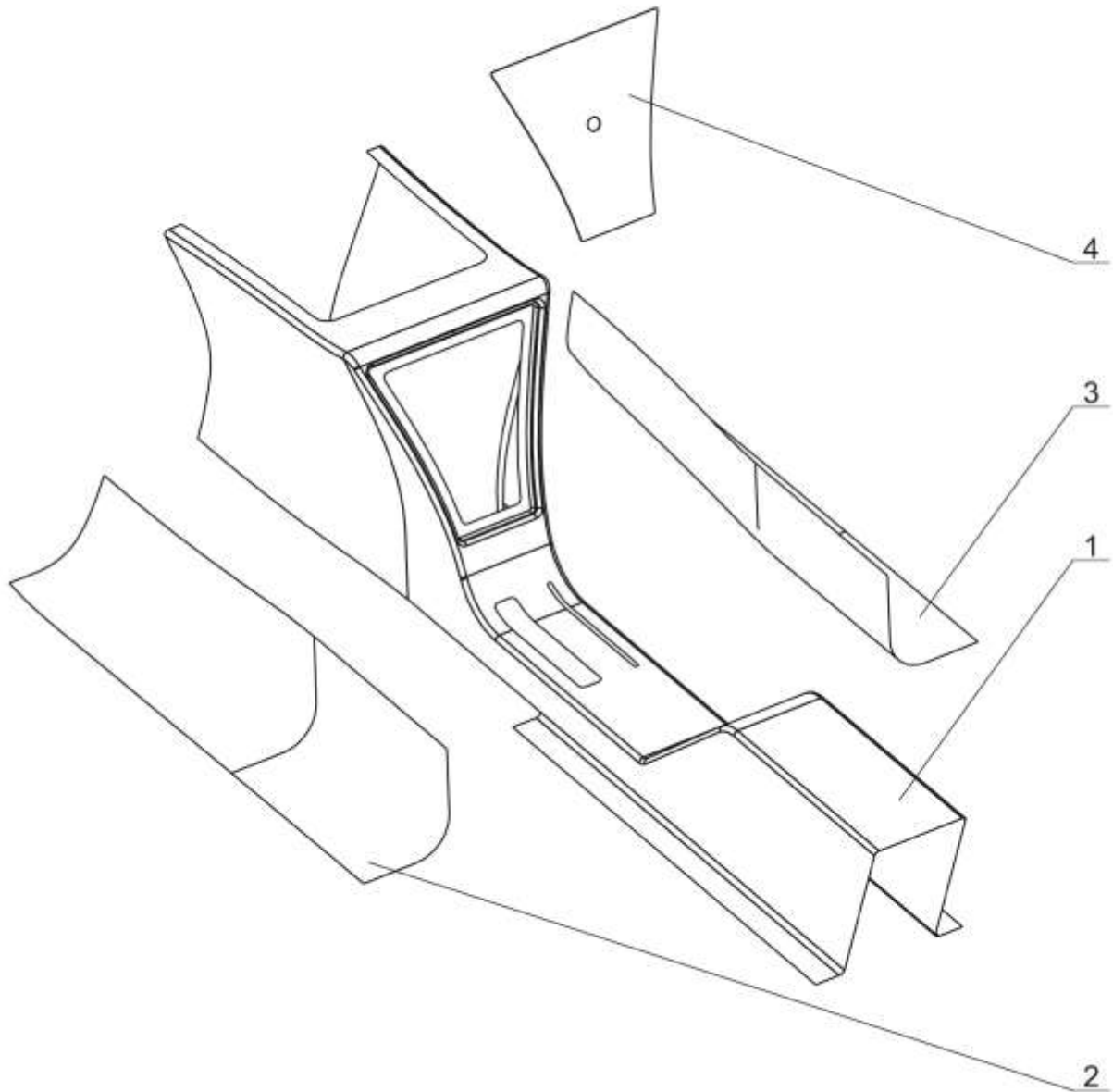
|                                                                                     |                     |                   |                                |             |
|-------------------------------------------------------------------------------------|---------------------|-------------------|--------------------------------|-------------|
|  | Material / materiál | Part name / název |                                |             |
|                                                                                     |                     | Panel board       |                                |             |
| Name of designer / návrh                                                            | Ing Martin Zahálka  | Weight / hmotnost | kg                             | Page / list |
| Date of issue / datum vydání                                                        | 26.2.2010           | Scale / měřítko   | Drawing number / číslo výkresu |             |
| Revision / změna                                                                    |                     | S200_610_00-1     |                                |             |
| Date of revision / datum změny                                                      |                     |                   |                                |             |
| Pcs. / kusů                                                                         | 1                   |                   |                                |             |






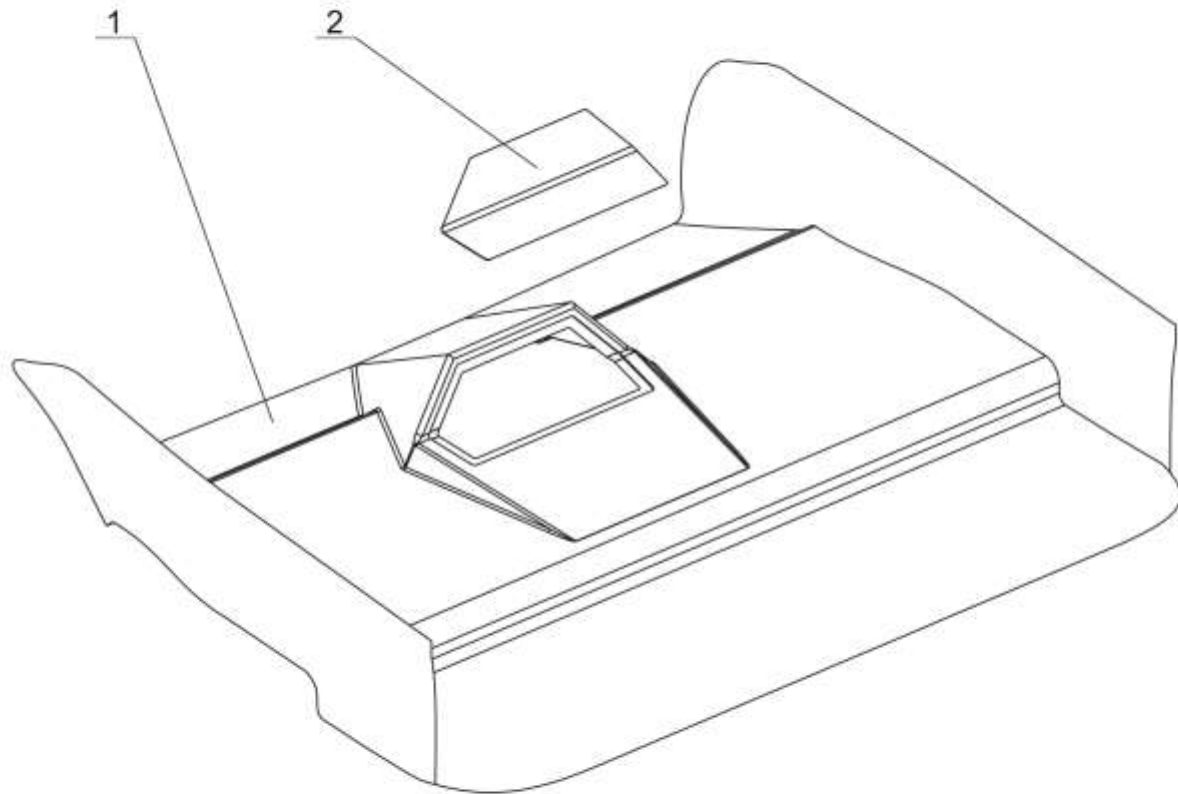
|             |                    |                           |                                |
|-------------|--------------------|---------------------------|--------------------------------|
| 2           | Bottom seat        |                           | s200_622_00-1                  |
| 1           | Back seat          |                           | s200_621_00-1                  |
| Pos. / poz. | Assembly / sestava | Sub assembly / podsestava | Drawing number / číslo výkresu |

|                                                                                     |                     |                   |                                |
|-------------------------------------------------------------------------------------|---------------------|-------------------|--------------------------------|
|  | Material / materiál | Part name / název |                                |
|                                                                                     |                     | Seat              |                                |
| Name of designer / návrh                                                            | Ing Martin Zahálka  | Weight / hmotnost | kg                             |
| Date of issue / datum vydání                                                        | 26.2.2010           | Page / list       | 1 / 1                          |
| Revision / změna                                                                    |                     | Scale / měřítko   | Drawing number / číslo výkresu |
| Date of revision / datum změny                                                      |                     |                   | S200_620_00-1                  |
| Pcs. / kusů                                                                         | 1                   |                   |                                |




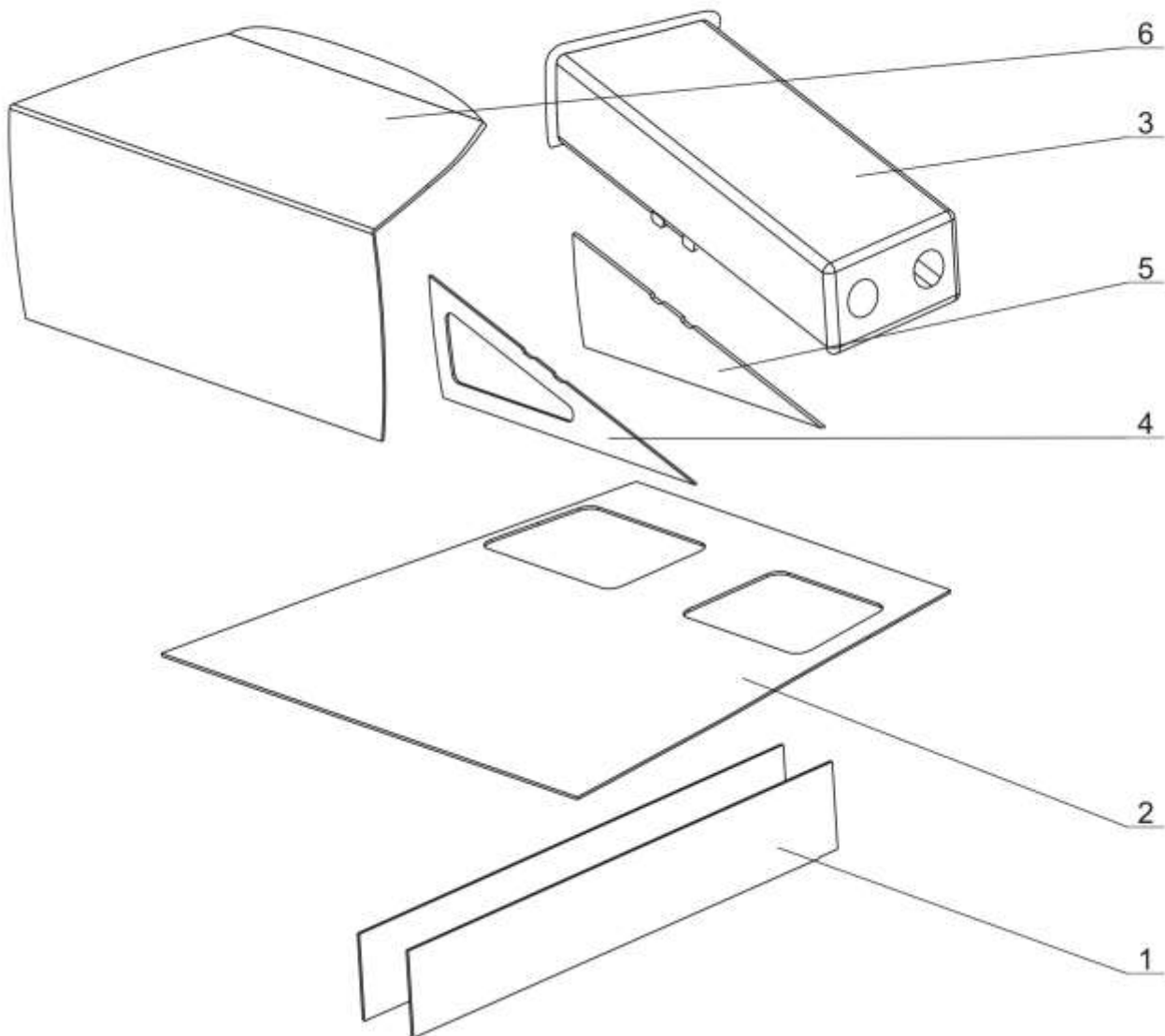
|             |                       |                           |                                |
|-------------|-----------------------|---------------------------|--------------------------------|
| 4           | Central console plate |                           | 42 4254.61, t = 1 mm           |
| 3           | Right side panel      |                           | s200_633_00-1                  |
| 2           | Left side panel       |                           | s200_632_00-1                  |
| 1           | Central console       |                           | s200_631_00-1                  |
| Pos. / poz. | Assembly / sestava    | Sub assembly / podsestava | Drawing number / číslo výkresu |

|                                                                                     |                     |                   |                                |
|-------------------------------------------------------------------------------------|---------------------|-------------------|--------------------------------|
|  | Material / materiál | Part name / název |                                |
|                                                                                     |                     | Central console   |                                |
| Name of designer / návrh                                                            | Ing Martin Zahálka  | Weight / hmotnost | kg                             |
| Date of issue / datum vydání                                                        | 26.2.2010           | Page / list       | 1 / 1                          |
| Revision / změna                                                                    |                     | Scale / měřítko   | Drawing number / číslo výkresu |
| Date of revision / datum změny                                                      |                     |                   | S200_630_00-1                  |
| Pcs. / kusů                                                                         | 1                   |                   |                                |




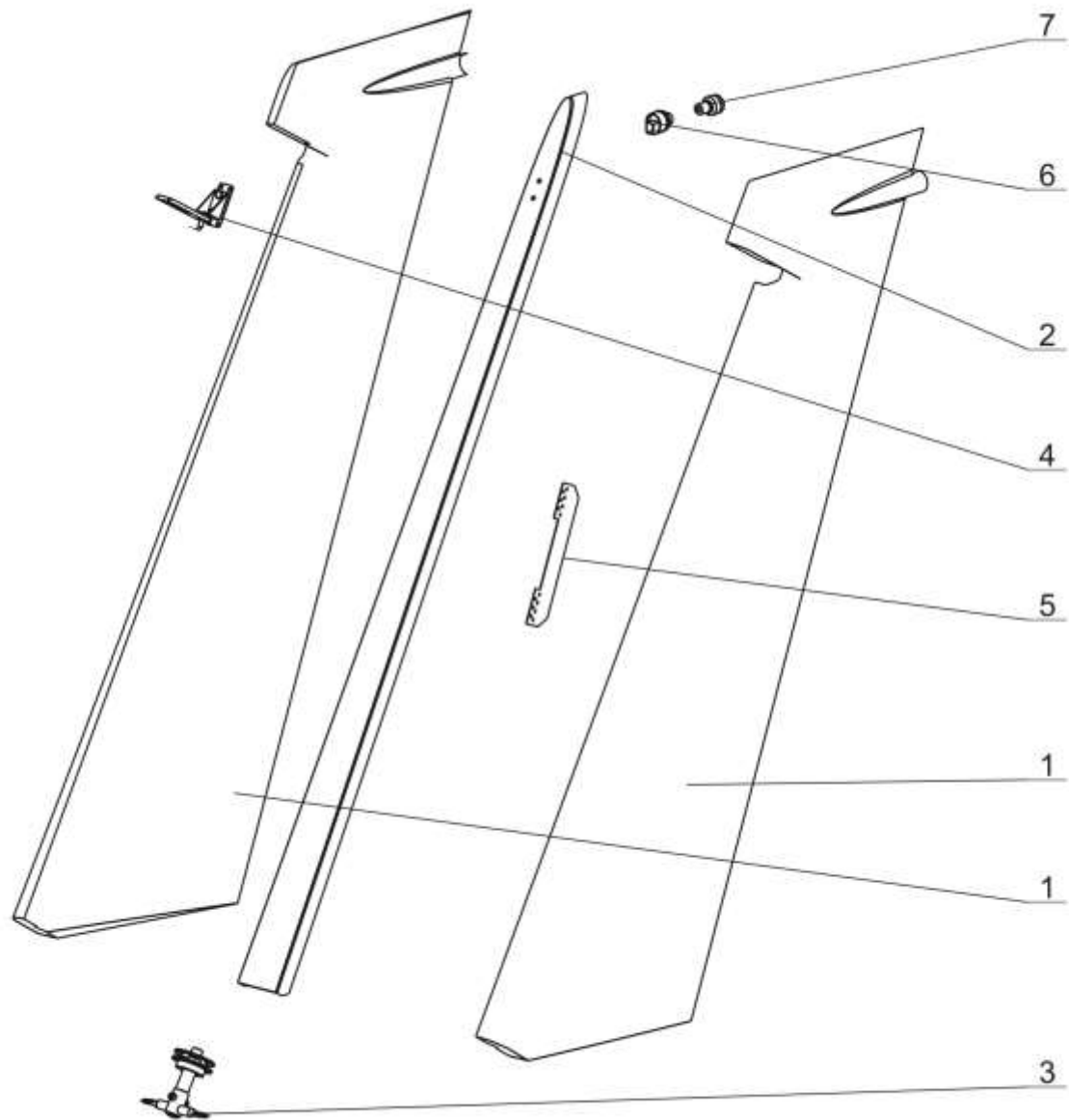
|             |                          |                           |                                |
|-------------|--------------------------|---------------------------|--------------------------------|
| 2           | Ceiling panel board      |                           | 42 4254.61, t = 1 mm           |
| 1           | Ceiling cover - laminate |                           | s200_661_00-1                  |
| Pos. / poz. | Assembly / sestava       | Sub assembly / podsestava | Drawing number / číslo výkresu |

|                                                                                     |                     |                      |                                |
|-------------------------------------------------------------------------------------|---------------------|----------------------|--------------------------------|
|  | Material / materiál | Part name / název    |                                |
|                                                                                     |                     | Canopy ceiling cover |                                |
| Name of designer / návrh                                                            | Ing Martin Zahálka  | Weight / hmotnost    | kg                             |
| Date of issue / datum vydání                                                        | 26.2.2010           | Page / list          | 1 / 1                          |
| Revision / změna                                                                    |                     | Scale / měřítko      | Drawing number / číslo výkresu |
| Date of revision / datum změny                                                      |                     |                      | S200_660_00-1                  |
| Pcs. / kusů                                                                         | 1                   |                      |                                |




|             |                    |                           |                                |
|-------------|--------------------|---------------------------|--------------------------------|
| 6           | Baggage rear cover |                           | s200_760_00-1                  |
| 5           | Rear triangle rib  |                           | s200_750_00-1                  |
| 4           | Front triangle rib |                           | s200_740_00-1                  |
| 3           | Rescue system box  |                           | s200_730_00-1                  |
| 2           | Baggage floor      |                           | s200_720_00-1                  |
| 1           | Baggage floor web  |                           | s200_710_00-1                  |
| Pos. / poz. | Assembly / sestava | Sub assembly / podsestava | Drawing number / číslo výkresu |

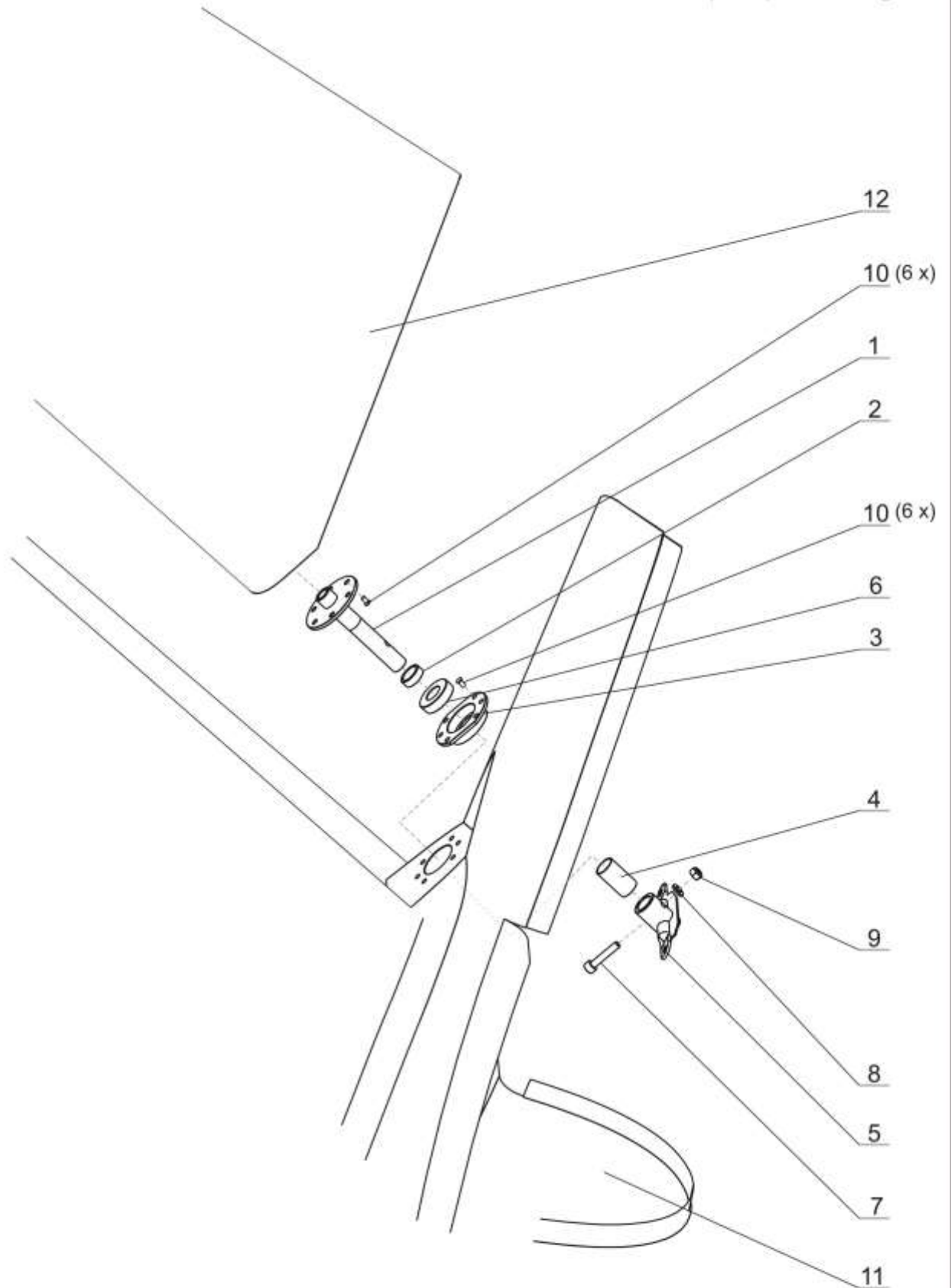
|                                                                                     |                     |                            |                                |             |
|-------------------------------------------------------------------------------------|---------------------|----------------------------|--------------------------------|-------------|
|  | Material / materiál | Part name / název          |                                |             |
|                                                                                     |                     | <b>Baggage compartment</b> |                                |             |
| Name of designer / návrh                                                            | Ing Martin Zahálka  | Weight / hmotnost          | kg                             | Page / list |
| Date of issue / datum vydání                                                        | 26.2.2010           |                            |                                | 1 / 1       |
| Revision / změna                                                                    |                     | Scale / měřítko            | Drawing number / číslo výkresu |             |
| Date of revision / datum změny                                                      |                     | <b>S200_700_00-1</b>       |                                |             |
| Pcs. / kusů                                                                         | 1                   |                            |                                |             |




|             |                       |                           |                                |
|-------------|-----------------------|---------------------------|--------------------------------|
| 7           | LED light 12 V        |                           |                                |
| 6           | LED light socket      |                           |                                |
| 5           | Flettner plate        |                           | s1000_100_00-1                 |
| 4           | Rudder upper attach.  |                           | s214_000_00-1                  |
| 3           | Rudder bottom attach. |                           | s213_000_00-1                  |
| 2           | Rudder spar           |                           | s212_000_00-1                  |
| 1           | Rudder skin           |                           | s211_000_00-1                  |
| Pos. / poz. | Assembly / sestava    | Sub assembly / podsestava | Drawing number / číslo výkresu |

|                                                                                     |                     |                   |                                |
|-------------------------------------------------------------------------------------|---------------------|-------------------|--------------------------------|
|  | Material / materiál | Part name / název |                                |
|                                                                                     |                     | <b>Rudder</b>     |                                |
| Name of designer / navrh                                                            | Ing Martin Zahálka  | Weight / hmotnost | kg                             |
| Date of issue / datum vydání                                                        | 26.2.2010           | Page / list       | 1 / 1                          |
| Revision / změna                                                                    |                     | Scale / měřítko   | Drawing number / číslo výkresu |
| Date of revision / datum změny                                                      |                     |                   | <b>S210_000_00-1</b>           |
| Pcs. / kusů                                                                         | 1                   |                   |                                |




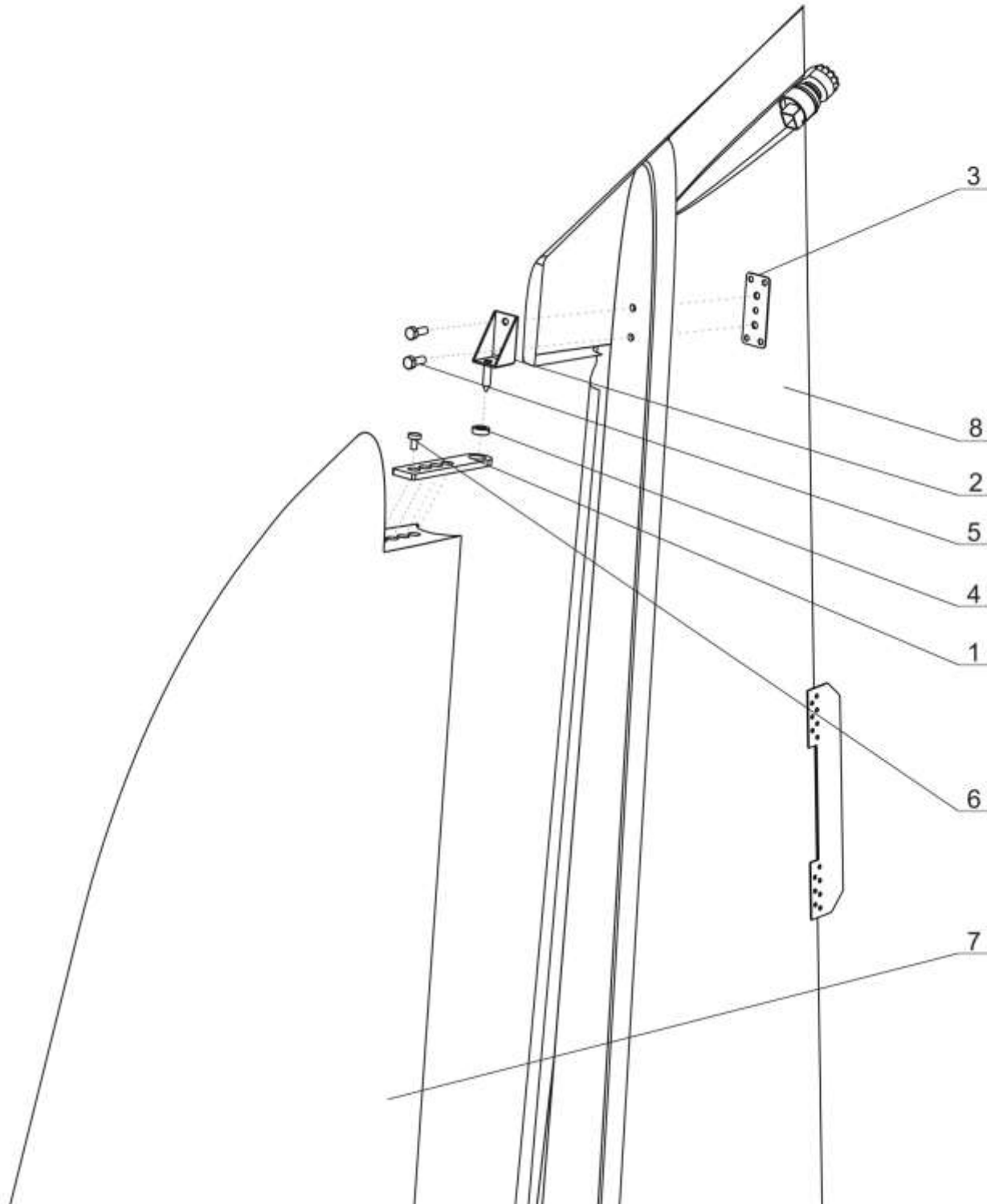



|                                                                                     |                          |                    |  |                 |                   |                                |                          |             |
|-------------------------------------------------------------------------------------|--------------------------|--------------------|--|-----------------|-------------------|--------------------------------|--------------------------|-------------|
|  | Material / materiál      | -                  |  |                 | Part name / název |                                | Rudder bottom attachment |             |
|                                                                                     | Name of designer / navrh | Ing Martin Zahálka |  |                 | Weight / hmotnost |                                | kg                       | Page / list |
| Date of issue / datum vydání                                                        | 26.2.2010                |                    |  | Scale / měřítko |                   | Drawing number / číslo výkresu |                          |             |
| Revision / změna                                                                    |                          |                    |  |                 |                   | S213_000_00-1                  |                          |             |
| Date of revision / datum změny                                                      |                          |                    |  |                 |                   |                                |                          |             |
| Pcs. / kusů                                                                         | 1                        |                    |  |                 |                   |                                |                          |             |




|             |                      |                           |                                |
|-------------|----------------------|---------------------------|--------------------------------|
| 12          | Rudder               |                           | s210_000_00-1                  |
| 11          | Fuselage             |                           | s200_000_00-1                  |
| 10          | Rivet Fe Ø 4,8 x 15  |                           | DIN 7337                       |
| 9           | Nut VM 6             |                           | DIN 980                        |
| 8           | Washer M6            |                           | ČSN 02 1721                    |
| 7           | Screw M6 x 30        |                           | DIN 912                        |
| 6           | Ball bearing         |                           | ZKL 6002                       |
| 5           | Rudder balance beam  |                           | s213_500_00-1                  |
| 4           | Big spacer           |                           | s213_400_00-1                  |
| 3           | Bottom suspension    |                           | s213_300_00-1                  |
| 2           | Small spacer         |                           | s213_200_00-1                  |
| 1           | Bottom mounting axis |                           | s213_100_00-1                  |
| Pos. / poz. | Assembly / sestava   | Sub assembly / podsestava | Drawing number / číslo výkresu |

|                                                                                     |                     |                          |                                |
|-------------------------------------------------------------------------------------|---------------------|--------------------------|--------------------------------|
|  | Material / materiál | Part name / název        |                                |
|                                                                                     |                     | Rudder bottom attachment |                                |
| Name of designer / navrh                                                            | Ing Martin Zahálka  | Weight / hmotnost        | kg                             |
| Date of issue / datum vydání                                                        | 26.2.2010           | Page / list              | 2 / 2                          |
| Revision / změna                                                                    |                     | Scale / měřítko          | Drawing number / číslo výkresu |
| Date of revision / datum změny                                                      |                     |                          | S213_000_00-1                  |
| Pcs. / kusů                                                                         | 1                   |                          |                                |

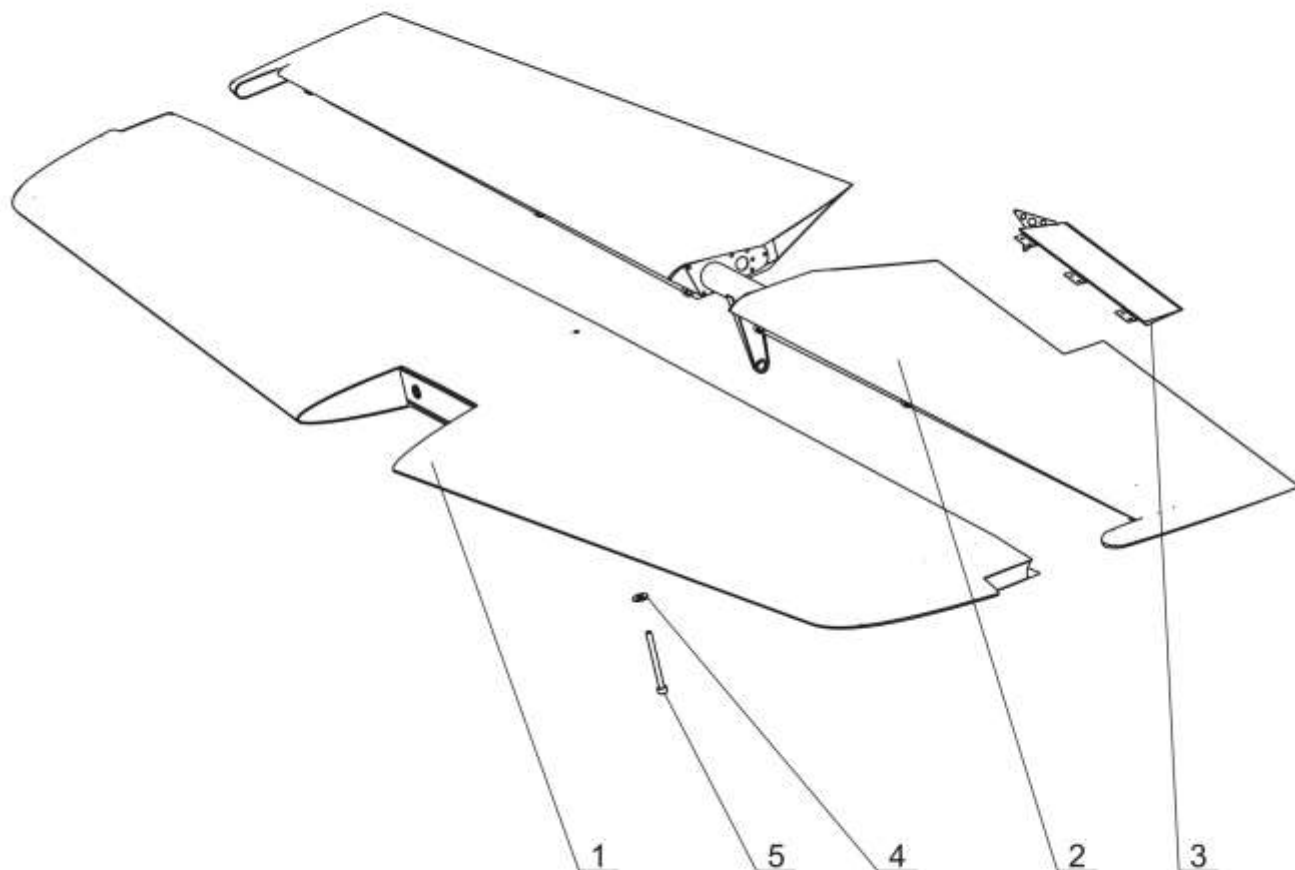


|                                                                                     |                          |                    |                                |             |                         |  |
|-------------------------------------------------------------------------------------|--------------------------|--------------------|--------------------------------|-------------|-------------------------|--|
|  | Material / materiál      | -                  |                                |             | Part name / název       |  |
|                                                                                     | Name of designer / návrh | Ing Martin Zahálka |                                |             | Rudder upper attachment |  |
| Date of issue / datum vydání                                                        | 26.2.2010                | Weight / hmotnost  | kg                             | Page / list | 1 / 2                   |  |
| Revision / změna                                                                    |                          | Scale / měřítko    | Drawing number / číslo výkresu |             |                         |  |
| Date of revision / datum změny                                                      |                          | S214_000_00-1      |                                |             |                         |  |
| Pcs. / kusů                                                                         | 1                        |                    |                                |             |                         |  |


|             |                        |                           |                                |
|-------------|------------------------|---------------------------|--------------------------------|
| 8           | Rudder                 |                           | s210_000_00-1                  |
| 7           | Fuselage               |                           | s200_000_00-1                  |
| 6           | Rivet Fe Ø 4,8 x 15    |                           | DIN 7337                       |
| 5           | Screw M6 x 16 - 8.8    |                           | ISO 4014                       |
| 4           | Bearing 6              |                           | ČSN 02 3515                    |
| 3           | Rudder plate with nuts |                           | s214_300_00-1                  |
| 2           | Upper rudder pin       |                           | s214_200_00-1                  |
| 1           | Upper rudder hinge     |                           | s214_100_00-1                  |
| Pos. / poz. | Assembly / sestava     | Sub assembly / podsestava | Drawing number / číslo výkresu |

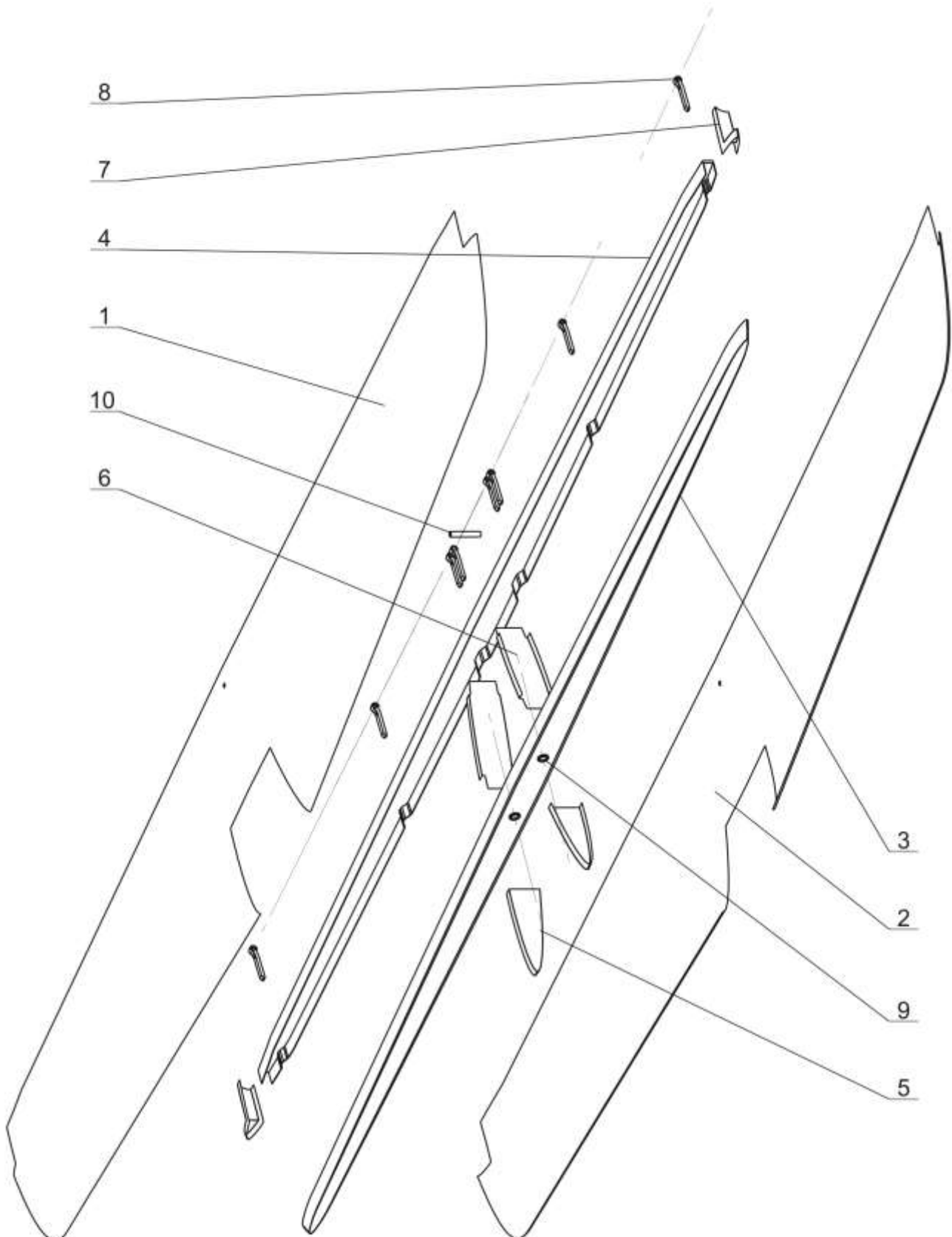
|                                                                                     |                     |                         |                                |
|-------------------------------------------------------------------------------------|---------------------|-------------------------|--------------------------------|
|  | Material / materiál | Part name / název       |                                |
|                                                                                     | -                   | Rudder upper attachment |                                |
| Name of designer / navrh                                                            | Ing Martin Zahálka  | Weight / hmotnost       | kg                             |
| Date of issue / datum vydání                                                        | 26.2.2010           | Page / list             | 2 / 2                          |
| Revision / změna                                                                    |                     | Scale / měřítko         | Drawing number / číslo výkresu |
| Date of revision / datum změny                                                      |                     |                         | S214_000_00-1                  |
| Pcs. / kusů                                                                         | 1                   |                         |                                |


S300\_000\_00-1\_Horizontal tail



|             |                     |                           |                                |
|-------------|---------------------|---------------------------|--------------------------------|
| 5           | Screw M8 x 87       |                           | DIN 912                        |
| 4           | Stabilizator washer |                           | s340_000_00-1                  |
| 3           | Trim tab            |                           | s330_000_00-1                  |
| 2           | Elevator            |                           | s320_000_00-1                  |
| 1           | Stabilizator        |                           | s310_000_00-1                  |
| Pos. / poz. | Assembly / sestava  | Sub assembly / podsestava | Drawing number / číslo výkresu |


|                                                                                     |                     |                   |                                |
|-------------------------------------------------------------------------------------|---------------------|-------------------|--------------------------------|
|  | Material / materiál | Part name / název |                                |
|                                                                                     |                     | Horizontal tail   |                                |
| Name of designer / navrh                                                            | Ing Martin Zahálka  | Weight / hmotnost | kg                             |
| Date of issue / datum vydání                                                        | 26.2.2010           | Page / list       | 1 / 1                          |
| Revision / změna                                                                    |                     | Scale / měřítko   | Drawing number / číslo výkresu |
| Date of revision / datum změny                                                      |                     |                   | S300_000_00-1                  |
| Pcs. / kusů                                                                         | 1                   |                   |                                |

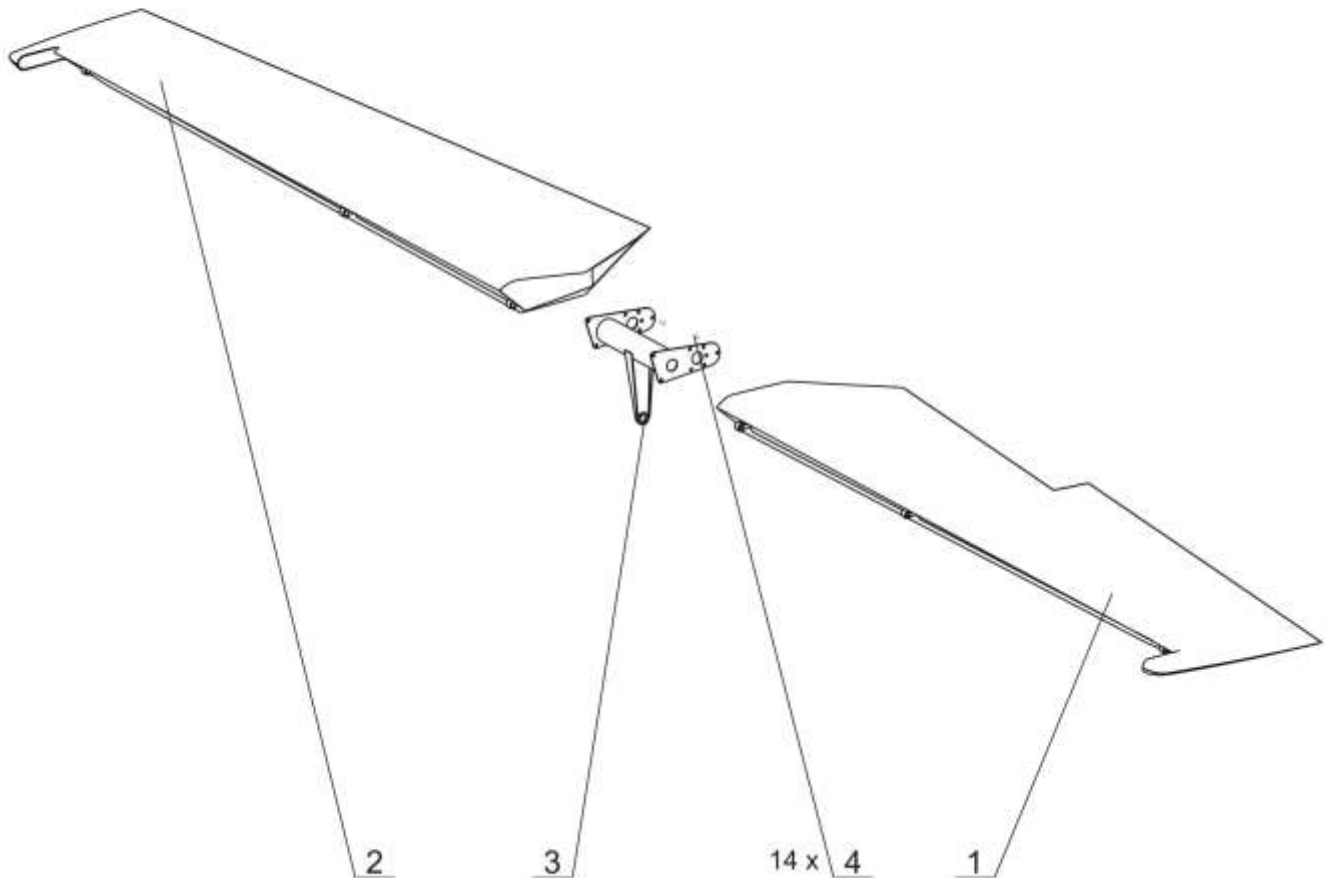


|                                                                                     |                     |                      |                                |             |
|-------------------------------------------------------------------------------------|---------------------|----------------------|--------------------------------|-------------|
|  | Material / materiál | Part name / název    |                                |             |
|                                                                                     |                     | <b>Stabilizator</b>  |                                |             |
| Name of designer / navrh                                                            | Ing Martin Zahálka  | Weight / hmotnost    | kg                             | Page / list |
| Date of issue / datum vydání                                                        | 26.2.2010           | Scale / měřítko      | Drawing number / číslo výkresu |             |
| Revision / změna                                                                    |                     | <b>S310_000_00-1</b> |                                |             |
| Date of revision / datum změny                                                      |                     |                      |                                |             |
| Pcs. / kusů                                                                         | 1                   |                      |                                |             |




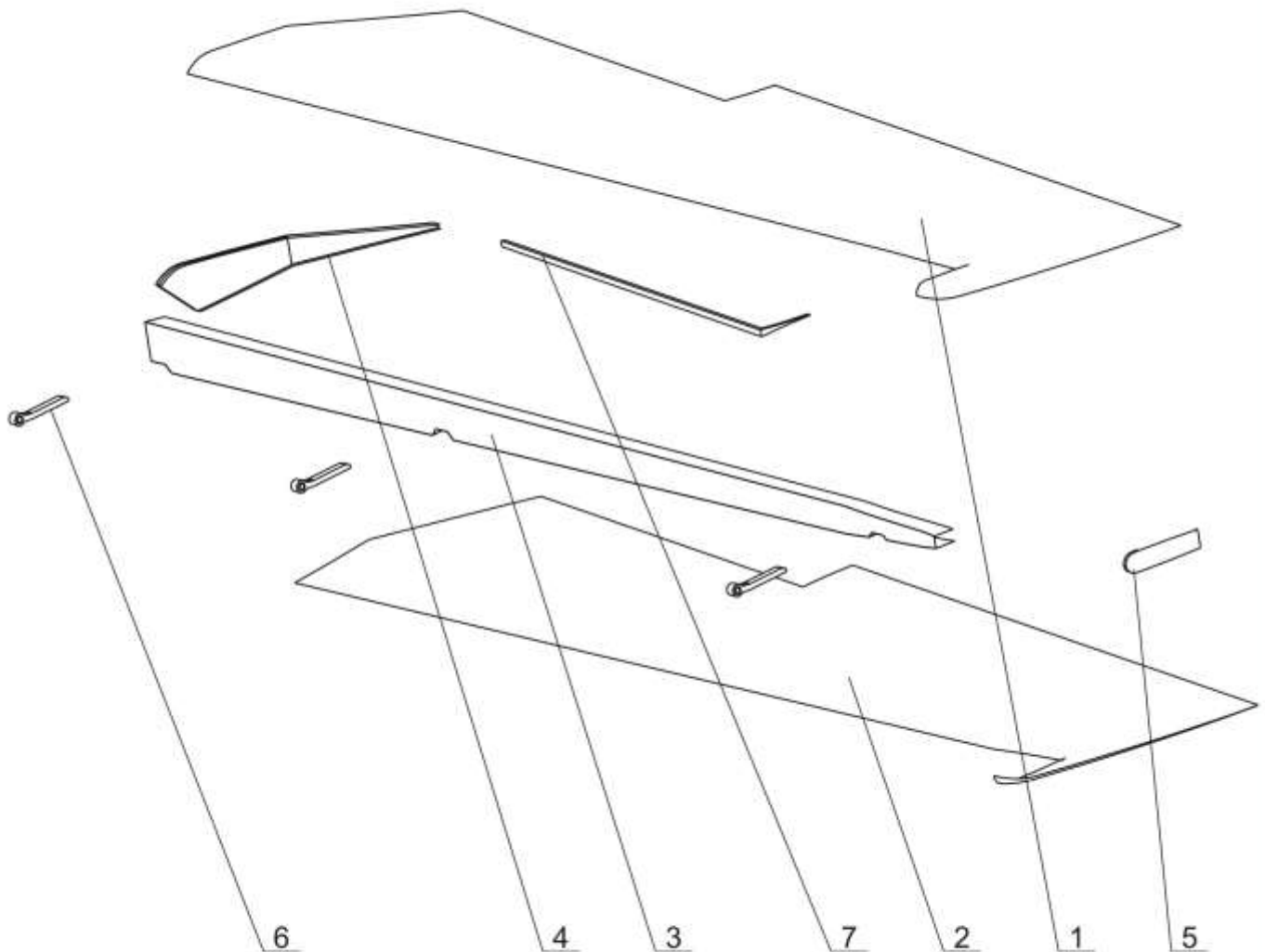
|             |                        |                           |                                |
|-------------|------------------------|---------------------------|--------------------------------|
| 10          | Rear hinge case        |                           | s317_000_00-1                  |
| 9           | Main hinge case        |                           | s316_000_00-1                  |
| 8           | Elevator hinge         |                           | s315_000_00-1                  |
| 7           |                        | Stabilizator edge rib     | s314_300_00-1                  |
| 6           |                        | Stabilizator middle rib   | s314_200_00-1                  |
| 5           |                        | Stabilizator front rib    | s314_100_00-1                  |
| -           | Stabilizator ribs      |                           | s314_000_00-1                  |
| 4           | Stabilizator rear spar |                           | s313_000_00-1                  |
| 3           | Stabilizator main spar |                           | s312_000_00-1                  |
| 2           |                        | Stabilizator bottom skin  | s311_200_00-1                  |
| 1           |                        | Stabilizator upper skin   | s311_100_00-1                  |
| -           | Stabilizator skin      |                           | s311_000_00-1                  |
| Pos. / poz. | Assembly / sestava     | Sub assembly / podsestava | Drawing number / číslo výkresu |

|                                                                                     |                     |                   |                                |
|-------------------------------------------------------------------------------------|---------------------|-------------------|--------------------------------|
|  | Material / materiál | Part name / název |                                |
|                                                                                     |                     | Stabilizator      |                                |
| Name of designer / navrh                                                            | Ing Martin Zahálka  | Weight / hmotnost | Page / list                    |
| Date of issue / datum vydání                                                        | 26.2.2010           | kg                | 2 / 2                          |
| Revision / změna                                                                    |                     | Scale / měřítko   | Drawing number / číslo výkresu |
| Date of revision / datum změny                                                      |                     |                   | S310_000_00-1                  |
| Pcs. / kusů                                                                         | 1                   |                   |                                |




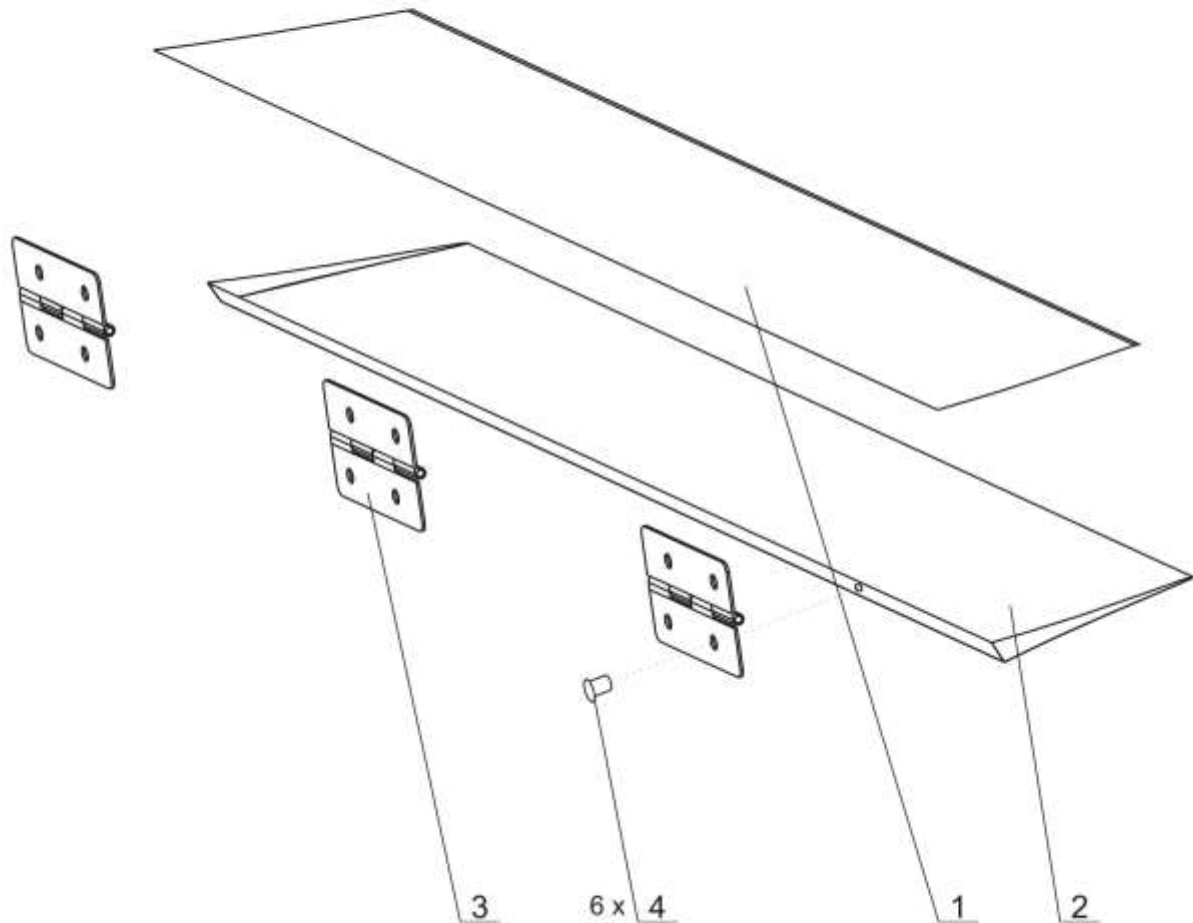
|             |                     |                           |                                |
|-------------|---------------------|---------------------------|--------------------------------|
| 4           | Rivet Fe Ø 4,8 x 15 |                           | DIN 7337                       |
| 3           | Elevator drive      |                           | s323_000_00-1                  |
| 2           | Right elevator      |                           | s322_000_00-1                  |
| 1           | Left elevator       |                           | s321_000_00-1                  |
| Pos. / poz. | Assembly / sestava  | Sub assembly / podsestava | Drawing number / číslo výkresu |

|                                                                                     |                     |                   |                                |
|-------------------------------------------------------------------------------------|---------------------|-------------------|--------------------------------|
|  | Material / materiál | Part name / název |                                |
|                                                                                     |                     | Elevator          |                                |
| Name of designer / návrh                                                            | Ing Martin Zahálka  | Weight / hmotnost | kg                             |
| Date of issue / datum vydání                                                        | 26.2.2010           | Page / list       | 1 / 1                          |
| Revision / změna                                                                    |                     | Scale / měřítko   | Drawing number / číslo výkresu |
| Date of revision / datum změny                                                      |                     |                   | S320_000_00-1                  |
| Pcs. / kusů                                                                         | 1                   |                   |                                |




|             |                    |                           |                                |
|-------------|--------------------|---------------------------|--------------------------------|
| 7           | Trim tab frame     |                           | s321_600_00-1                  |
| 6           | Elevator hinge     |                           | s321_500_00-1                  |
| 5           | Elevator end rib   |                           | s321_400_00-1                  |
| 4           | Elevator root rib  |                           | s321_300_00-1                  |
| 3           | Elevator spar      |                           | s321_200_00-1                  |
| 2           |                    | Elevator bottom skin      | s321_120_00-1                  |
| 1           |                    | Elevator upper skin       | s321_110_00-1                  |
| -           | Elevator skin      |                           | s321_100_00-1                  |
| Pos. / poz. | Assembly / sestava | Sub assembly / podsestava | Drawing number / číslo výkresu |

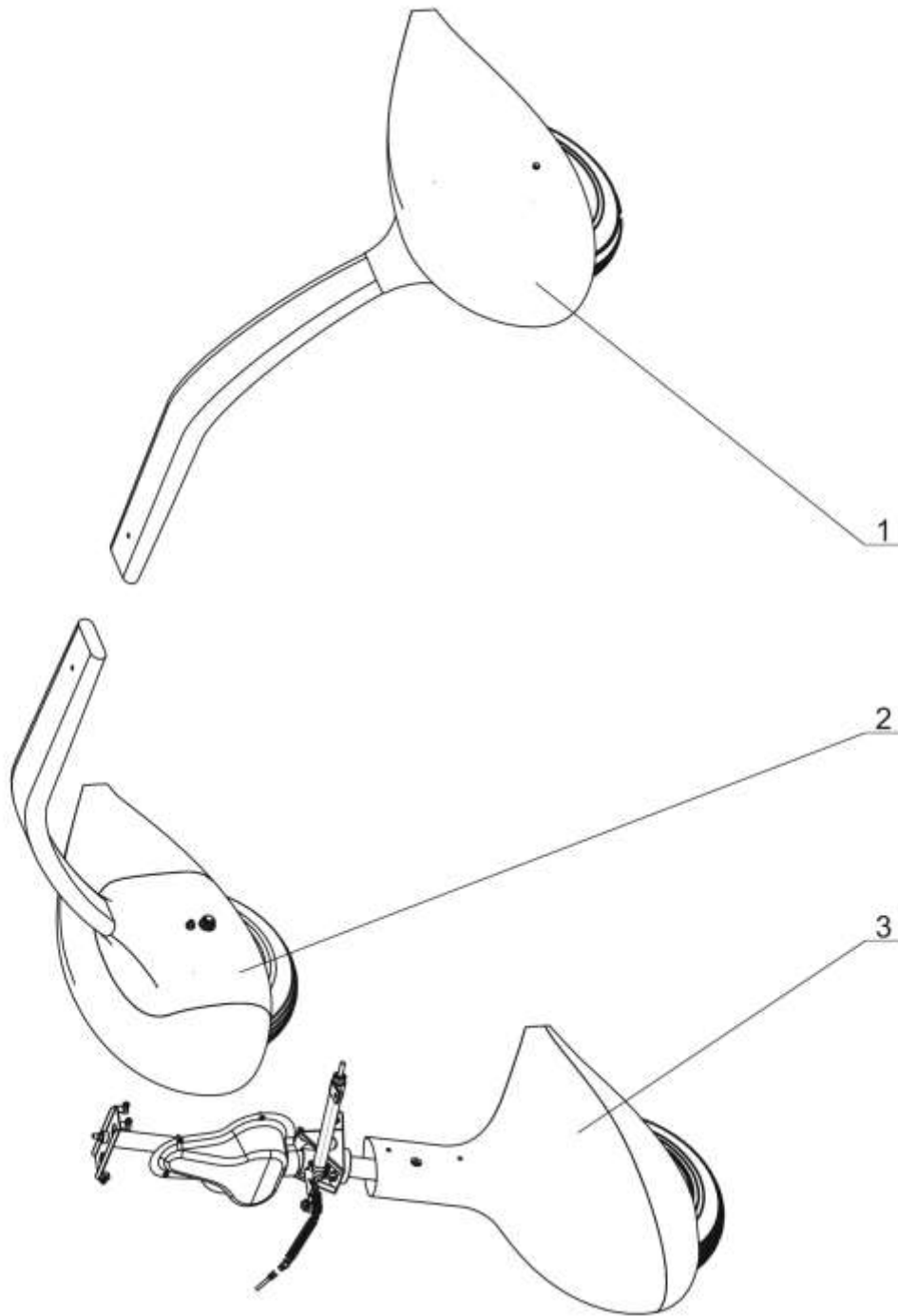
|                                                                                     |                     |                   |                                |
|-------------------------------------------------------------------------------------|---------------------|-------------------|--------------------------------|
|  | Material / materiál | Part name / název |                                |
|                                                                                     |                     | Left elevator     |                                |
| Name of designer / navrh                                                            | Ing Martin Zahálka  | Weight / hmotnost | kg                             |
| Date of issue / datum vydání                                                        | 26.2.2010           | Page / list       | 1 / 1                          |
| Revision / změna                                                                    |                     | Scale / měřítko   | Drawing number / číslo výkresu |
| Date of revision / datum změny                                                      |                     |                   | S321_000_00-1                  |
| Pcs. / kusů                                                                         | 1 (1)               |                   |                                |




|             |                     |                           |                                |
|-------------|---------------------|---------------------------|--------------------------------|
| 4           | Rivet Fe Ø 3,8 x 10 |                           | DIN 7337                       |
| 3           | Hinge 20 mm         |                           | 3094                           |
| 2           |                     | Trim tab bottom skin      | s331_200_00-1                  |
| 1           |                     | Trim tab upper skin       | s331_100_00-1                  |
| -           | Trim tab skin       |                           | s331_000_00-1                  |
| Pos. / poz. | Assembly / sestava  | Sub assembly / podsestava | Drawing number / číslo výkresu |

|                                                                                     |                     |                   |                                |
|-------------------------------------------------------------------------------------|---------------------|-------------------|--------------------------------|
|  | Material / materiál | Part name / název |                                |
|                                                                                     |                     | Trim tab          |                                |
| Name of designer / navrh                                                            | Ing Martin Zahálka  | Weight / hmotnost | kg                             |
| Date of issue / datum vydání                                                        | 26.2.2010           | Page / list       | 1 / 1                          |
| Revision / změna                                                                    |                     | Scale / měřítko   | Drawing number / číslo výkresu |
| Date of revision / datum změny                                                      |                     |                   | S330_000_00-1                  |
| Pcs. / kusů                                                                         | 1                   |                   |                                |

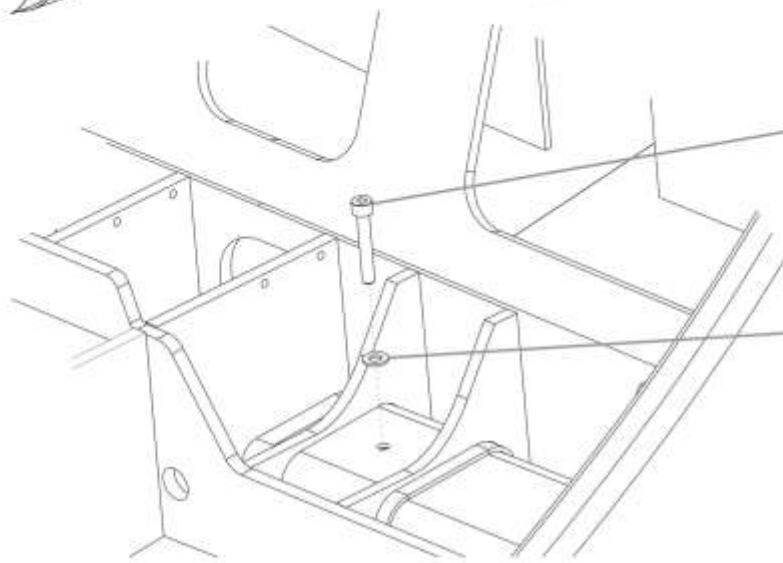
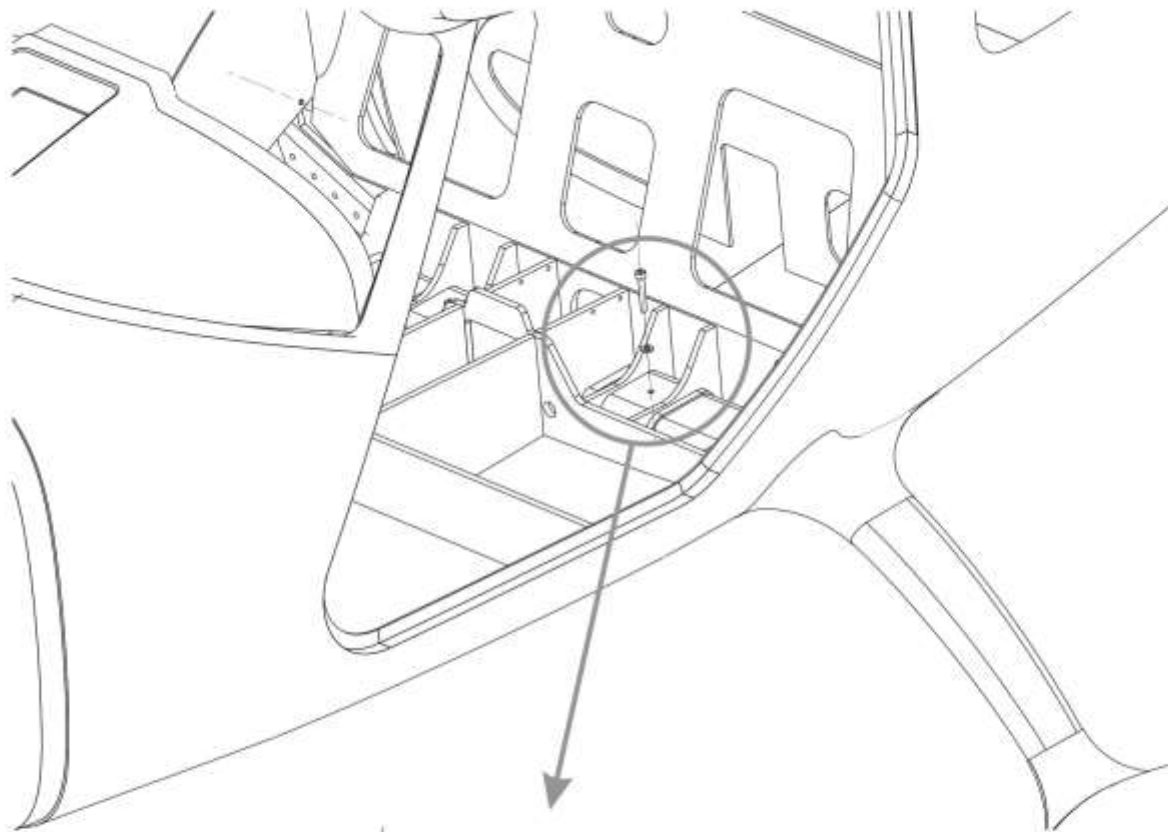
S400\_000\_00-1\_Undercarriage



|             |                    |                           |                                |
|-------------|--------------------|---------------------------|--------------------------------|
| 3           | Nose gear          |                           | s420_000_00-1                  |
| 2           |                    | Right main gear           | s412_000_00-1                  |
| 1           |                    | Left main gear            | s411_000_00-1                  |
| -           | Main undercarriage |                           | s410_000_00-1                  |
| Pos. / poz. | Assembly / sestava | Sub assembly / podsestava | Drawing number / číslo výkresu |

|                                                                                     |                     |                   |                                |
|-------------------------------------------------------------------------------------|---------------------|-------------------|--------------------------------|
|  | Material / materiál | Part name / název |                                |
|                                                                                     | -                   | Undercarriage     |                                |
| Name of designer / navrh                                                            | Ing Martin Zahálka  | Weight / hmotnost | kg                             |
| Date of issue / datum vydání                                                        | 26.2.2010           | Page / list       | 1 / 1                          |
| Revision / změna                                                                    |                     | Scale / měřítko   | Drawing number / číslo výkresu |
| Date of revision / datum změny                                                      |                     |                   | S400_000_00-1                  |
| Pcs. / kusů                                                                         | 1                   |                   |                                |

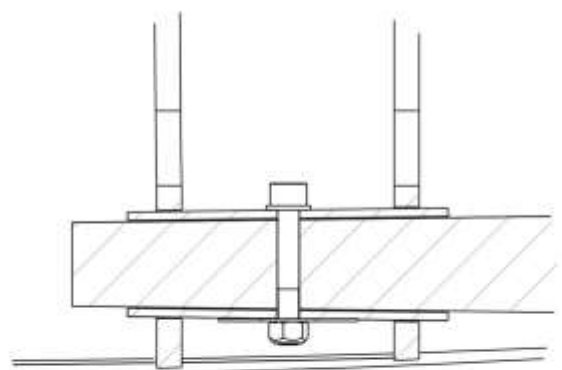





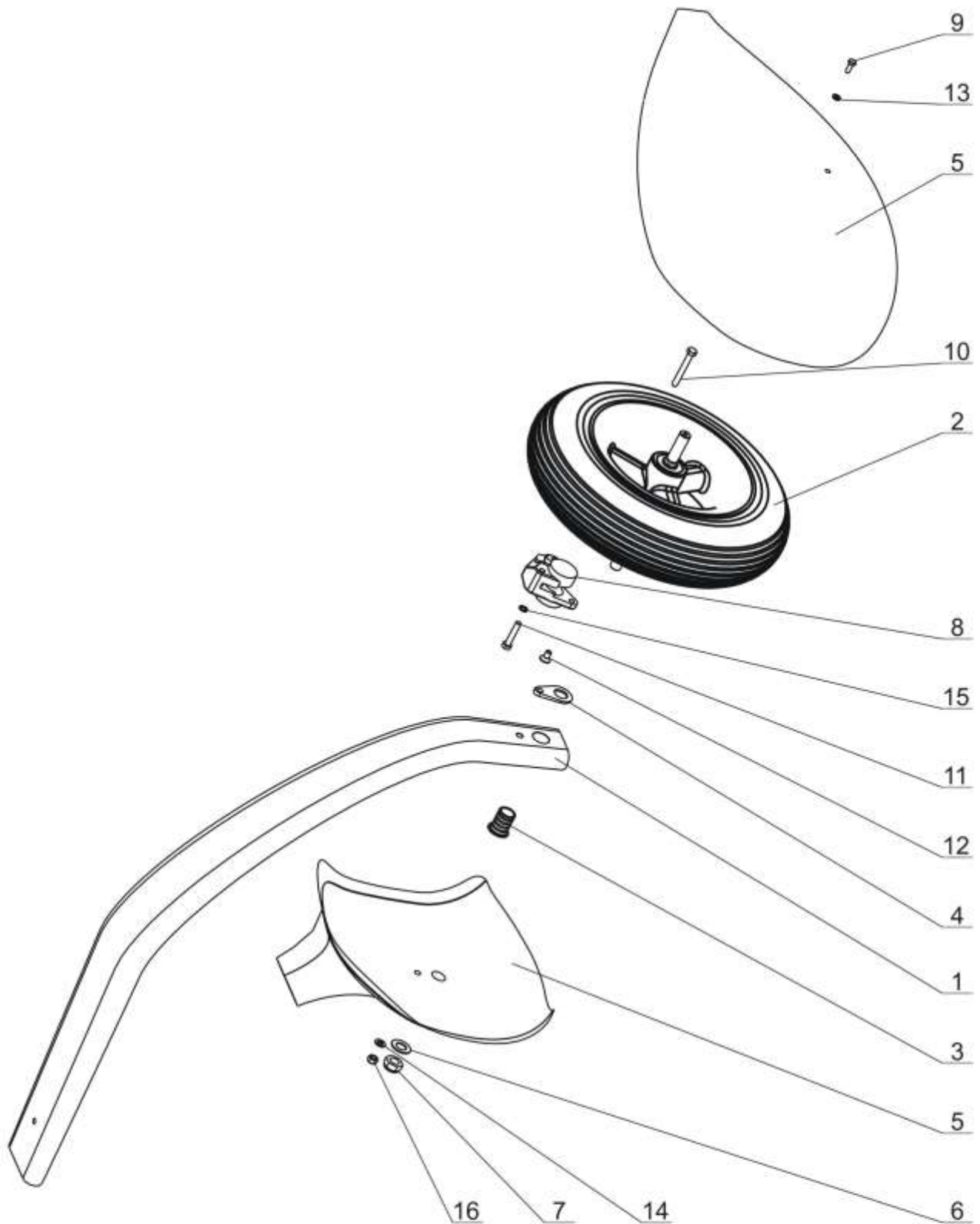
Screw M8 x 50 (DIN 912)


Washer M8 (ČSN 02 1721)

Main gear attachment scheme




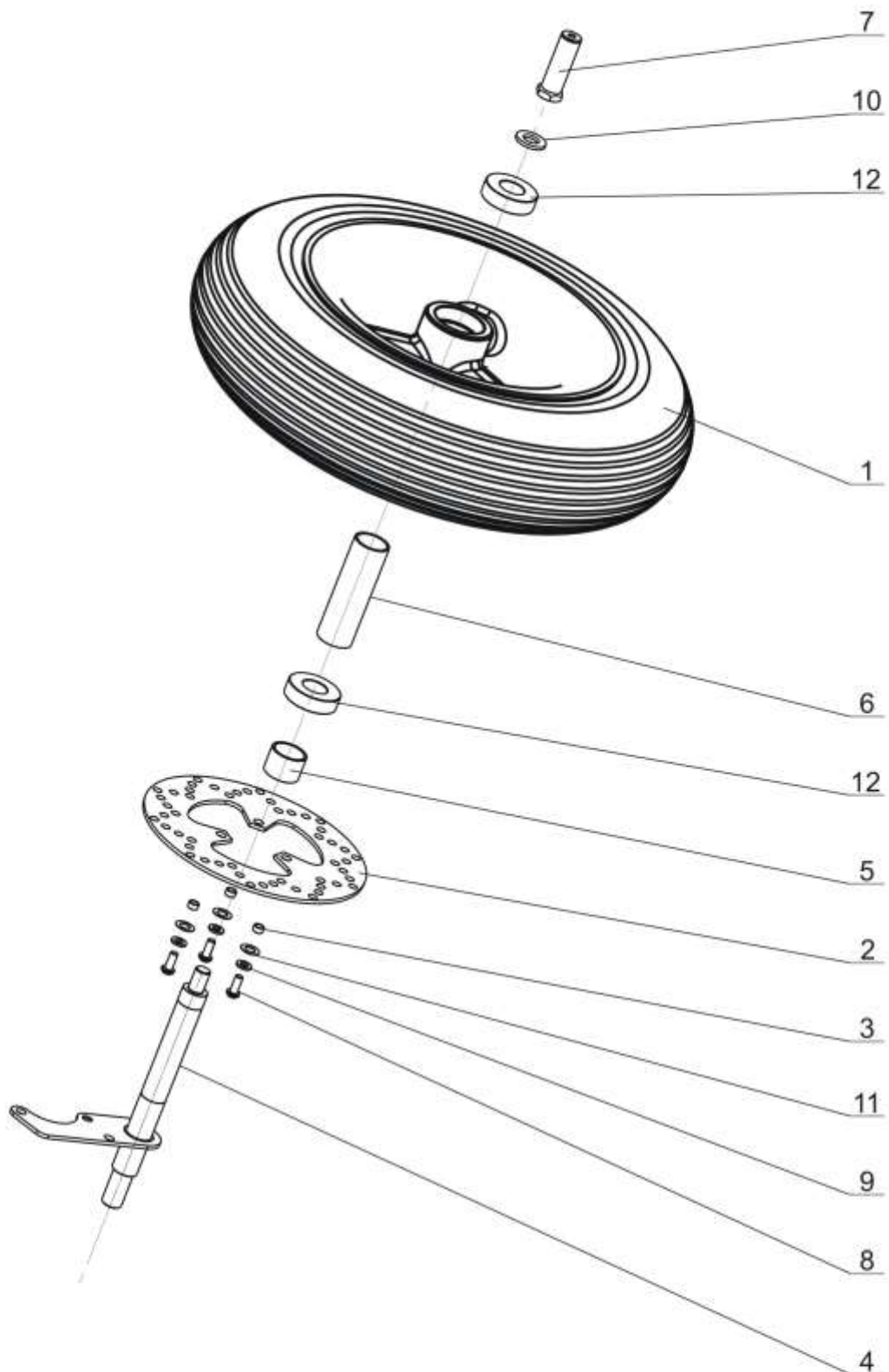
|                                                                                     |                     |                       |                                |             |
|-------------------------------------------------------------------------------------|---------------------|-----------------------|--------------------------------|-------------|
|  | Material / materiál | Part name / název     |                                |             |
|                                                                                     |                     | <b>Left main gear</b> |                                |             |
| Name of designer / navrh                                                            | Ing Martin Zahálka  | Weight / hmotnost     | kg                             | Page / list |
| Date of issue / datum vydání                                                        | 26.2.2010           | Scale / měřítko       | Drawing number / číslo výkresu |             |
| Revision / změna                                                                    |                     | <b>S411_000_00-1</b>  |                                |             |
| Date of revision / datum změny                                                      |                     |                       |                                |             |
| Pcs. / kusů                                                                         | 1 (1)               |                       |                                |             |




|                                                                                     |                     |                   |                                |             |
|-------------------------------------------------------------------------------------|---------------------|-------------------|--------------------------------|-------------|
|  | Material / materiál | Part name / název |                                |             |
|                                                                                     |                     | Left main gear    |                                |             |
| Name of designer / navrh                                                            | Ing Martin Zahálka  | Weight / hmotnost | kg                             | Page / list |
| Date of issue / datum vydání                                                        | 26.2.2010           | Scale / měřítko   | Drawing number / číslo výkresu |             |
| Revision / změna                                                                    |                     | S411_000_00-1     |                                |             |
| Date of revision / datum změny                                                      |                     |                   |                                |             |
| Pcs. / kusů                                                                         | 1 (1)               |                   |                                |             |


|             |                        |                           |                                |
|-------------|------------------------|---------------------------|--------------------------------|
| 16          | Nut VM 8               |                           | DIN 980                        |
| 15          | Washer M8              |                           | ČSN 02 1745                    |
| 14          | Washer M8              |                           | ČSN 02 1721                    |
| 13          | Washer M6              |                           | ČSN 02 1721                    |
| 12          | Screw M8 x 16B         |                           | DIN 7991 - 8.8 ZN              |
| 11          | Screw M8 x 40 - 8.8    |                           | DIN 912                        |
| 10          | Screw M8 x 60 - 8.8    |                           | DIN 912                        |
| 9           | Screw M6 x 22 - 8.8    |                           | DIN 912                        |
| 8           | Brake caliper AIP      |                           | -                              |
| 7           | Modified nut M16       |                           | s411_700_00-1                  |
| 6           | Main wheel axis washer |                           | s411_600_00-1                  |
| 5           | Main gear wheel pant   |                           | s411_500_00-1                  |
| 4           | Main gear wedge washer |                           | s411_400_00-1                  |
| 3           | Main gear axis case    |                           | s411_300_00-1                  |
| 2           | Main wheel assembly    |                           | s411_200_00-1                  |
| 1           | Main undercarriage leg |                           | s411_100_00-1                  |
| Pos. / poz. | Assembly / sestava     | Sub assembly / podsestava | Drawing number / číslo výkresu |

|                                                                                     |                     |                   |                                |
|-------------------------------------------------------------------------------------|---------------------|-------------------|--------------------------------|
|  | Material / materiál | Part name / název |                                |
|                                                                                     | -                   | Left main gear    |                                |
| Name of designer / návrh                                                            | Ing Martin Zahálka  | Weight / hmotnost | kg                             |
| Date of issue / datum vydání                                                        | 26.2.2010           | Page / list       | 3 / 3                          |
| Revision / změna                                                                    |                     | Scale / měřítko   | Drawing number / číslo výkresu |
| Date of revision / datum změny                                                      |                     |                   | S411_000_00-1                  |
| Pcs. / kusů                                                                         | 1 (1)               |                   |                                |

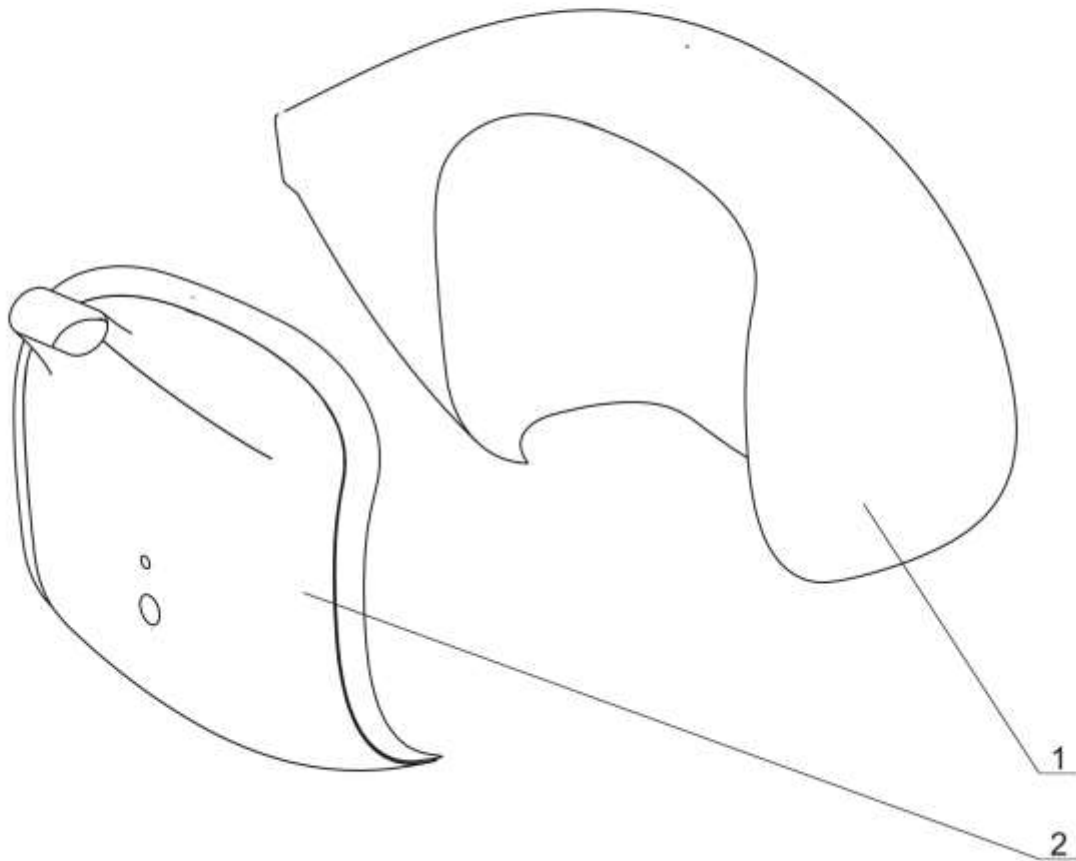


|                                                                                     |                     |                     |                                |             |
|-------------------------------------------------------------------------------------|---------------------|---------------------|--------------------------------|-------------|
|  | Material / materiál | Part name / název   |                                |             |
|                                                                                     |                     | Main wheel assembly |                                |             |
| Name of designer / navrh                                                            | Ing Martin Zahálka  | Weight / hmotnost   | kg                             | Page / list |
| Date of issue / datum vydání                                                        | 26.2.2010           | Scale / měřítko     | Drawing number / číslo výkresu |             |
| Revision / změna                                                                    |                     | S411_200_00-1       |                                |             |
| Date of revision / datum změny                                                      |                     |                     |                                |             |
| Pcs. / kusů                                                                         | 1 (1)               |                     |                                |             |


|             |                         |                           |                                |
|-------------|-------------------------|---------------------------|--------------------------------|
| 12          | Ball bearing            |                           | ZVL 6004                       |
| 11          | Washer M8               |                           | DIN 137 A                      |
| 10          | Washer M12              |                           | ČSN 02 1721                    |
| 9           | Washer M6               |                           | ČSN 02 1721                    |
| 8           | Screw M6 x 14           |                           | ISO 7380 - 10.9 ZN             |
| 7           | Main wheel pant spacer  |                           | s411_270_00-1                  |
| 6           | M. wheel bearing spacer |                           | s411_260_00-1                  |
| 5           | Main wheel spacer       |                           | s411_250_00-1                  |
| 4           | Main wheel axle         |                           | s411_240_00-1                  |
| 3           | Brake disc spacer       |                           | s411_230_00-1                  |
| 2           | Brake disc              |                           | s411_220_00-1                  |
| 1           | Braked wheel 400 x 100  |                           | s411_210_00-1                  |
| Pos. / poz. | Assembly / sestava      | Sub assembly / podsestava | Drawing number / číslo výkresu |

|                                                                                     |                     |                     |                                |
|-------------------------------------------------------------------------------------|---------------------|---------------------|--------------------------------|
|  | Material / materiál | Part name / název   |                                |
|                                                                                     |                     | Main wheel assembly |                                |
| Name of designer / navrh                                                            | Ing Martin Zahálka  | Weight / hmotnost   | kg                             |
| Date of issue / datum vydání                                                        | 26.2.2010           | Page / list         | 2 / 2                          |
| Revision / změna                                                                    |                     | Scale / měřítko     | Drawing number / číslo výkresu |
| Date of revision / datum změny                                                      |                     |                     | S411_200_00-1                  |
| Pcs. / kusů                                                                         | 1 (1)               |                     |                                |

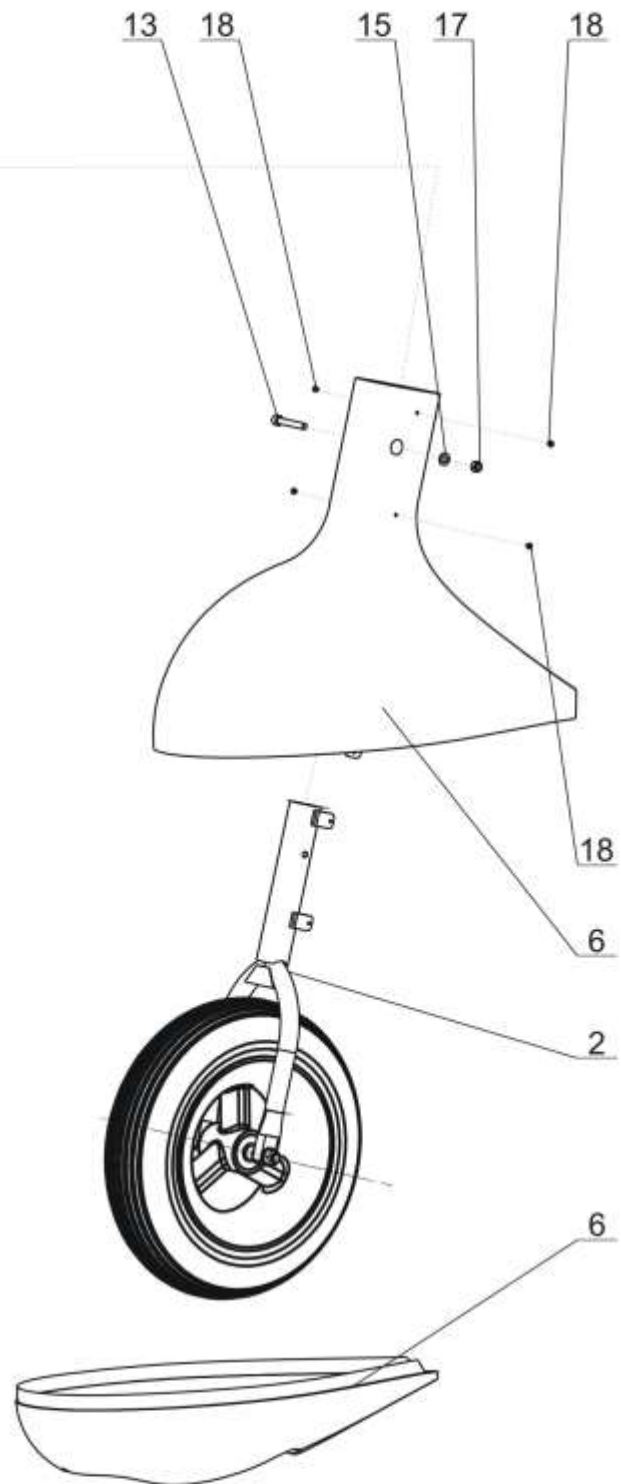
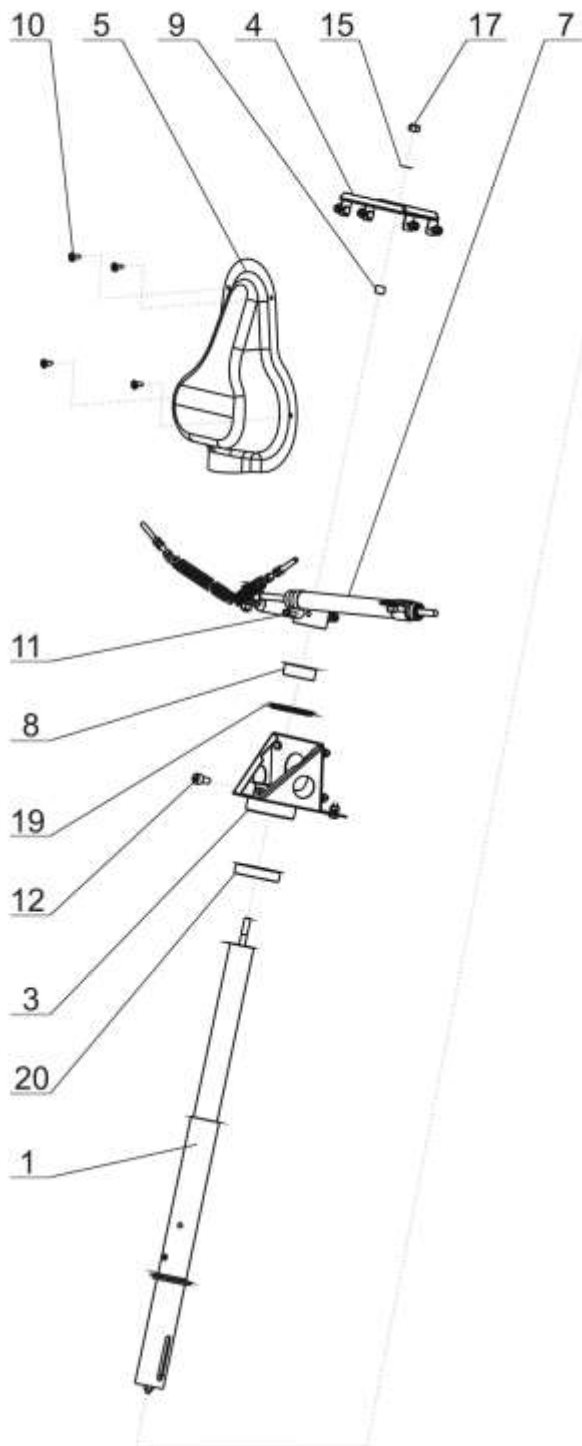





|             |                          |                           |                                |
|-------------|--------------------------|---------------------------|--------------------------------|
| 2           | Inner part of wheel pant |                           | s411_520_00-1                  |
| 1           | Outer part of wheel pant |                           | s411_510_00-1                  |
| Pos. / poz. | Assembly / sestava       | Sub assembly / podsestava | Drawing number / číslo výkresu |


|                                                                                     |                     |                                     |                                |
|-------------------------------------------------------------------------------------|---------------------|-------------------------------------|--------------------------------|
|  | Material / materiál | Part name / název                   |                                |
|                                                                                     |                     | Left wheel pant<br>Right wheel pant |                                |
| Name of designer / navrh                                                            | Ing Martin Zahálka  | Weight / hmotnost                   | kg                             |
| Date of issue / datum vydání                                                        | 26.2.2010           | Page / list                         | 1 / 1                          |
| Revision / změna                                                                    |                     | Scale / měřítko                     | Drawing number / číslo výkresu |
| Date of revision / datum změny                                                      |                     |                                     | S411_500_00-1                  |
| Pcs. / kusů                                                                         | 1 (1)               |                                     | S412_500_00-1                  |



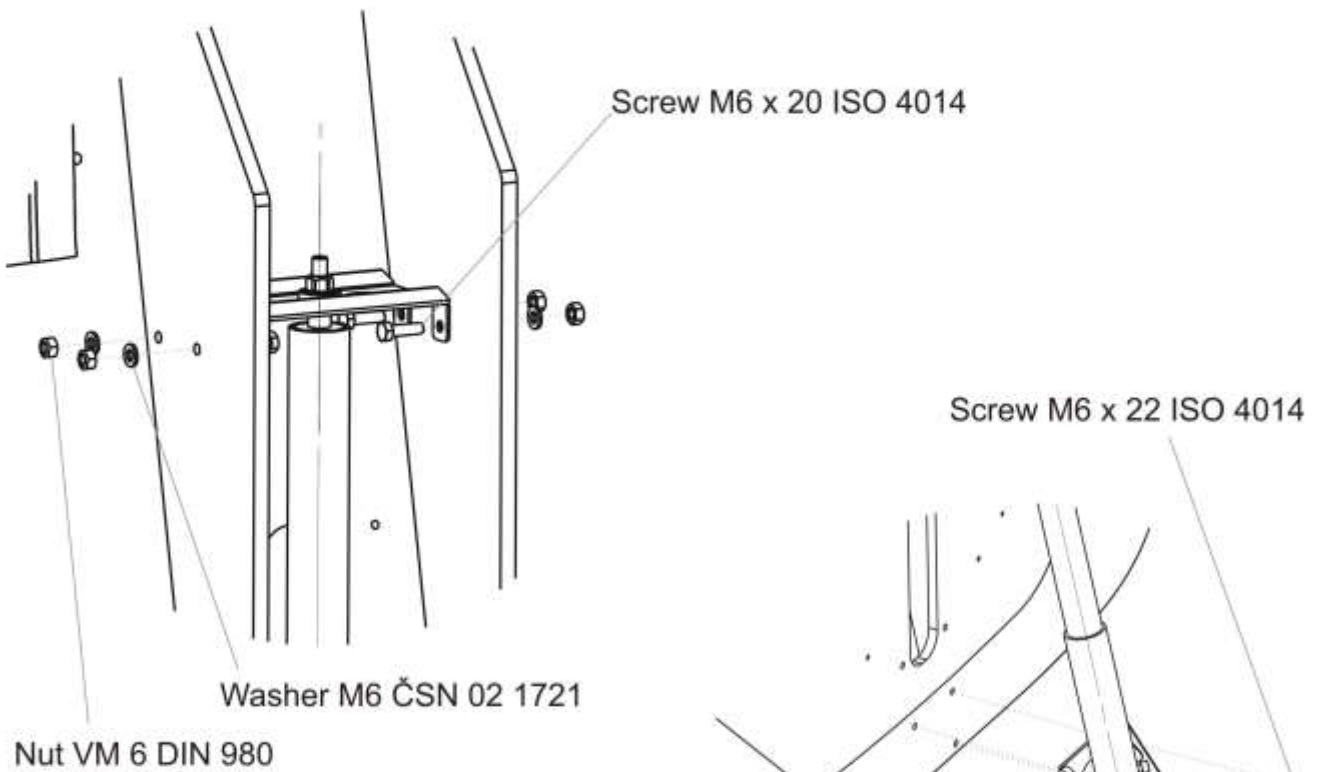


|                                                                                     |                     |                   |                                |             |
|-------------------------------------------------------------------------------------|---------------------|-------------------|--------------------------------|-------------|
|  | Material / materiál | Part name / název |                                |             |
|                                                                                     |                     | Nose gear         |                                |             |
| Name of designer / navrh                                                            | Ing Martin Zahálka  | Weight / hmotnost | kg                             | Page / list |
| Date of issue / datum vydání                                                        | 26.2.2010           | Scale / měřítko   | Drawing number / číslo výkresu |             |
| Revision / změna                                                                    |                     | S420_000_00-1     |                                |             |
| Date of revision / datum změny                                                      |                     |                   |                                |             |
| Pcs. / kusů                                                                         | 1                   |                   |                                |             |

|             |                         |                           |                                |
|-------------|-------------------------|---------------------------|--------------------------------|
| 20          | Ball bearing            |                           | ZKL 51108A                     |
| 19          | Roll bearing            |                           | ZINTM - 2435                   |
| 18          | Rivet Fe Ø 3,8 x 10     |                           | DIN 7337                       |
| 17          | Nut VM 8                |                           | DIN 980                        |
| 16          | Nut VM 6                |                           | DIN 980                        |
| 15          | Washer M8               |                           | ČSN 02 1721                    |
| 14          | Washer M6               |                           | ČSN 02 1721                    |
| 13          | Screw M8 x 55 - 8.8     |                           | DIN 912                        |
| 12          | Screw M8 x 15 - 8.8     |                           | DIN 912                        |
| 11          | Screw M6 x 55 - 8.8     |                           | DIN 912                        |
| 10          | Screw M5 x 12           |                           | PN 02009                       |
| 9           | Upper distance ring     |                           | s429_000_00-1                  |
| 8           | Balance spacer          |                           | s428_000_00-1                  |
| 7           | Shimming dumpler system |                           | s427_000_00-1                  |
| 6           | Nose gear wheel pant    |                           | s426_000_00-1                  |
| 5           | Nose gear attach. cover |                           | s425_000_00-1                  |
| 4           | Upper attachment        |                           | s424_000_00-1                  |
| 3           | Bottom attachment       |                           | s423_000_00-1                  |
| 2           | Nose gear fork          |                           | s422_000_00-1                  |
| 1           | Nose gear tube          |                           | s421_000_00-1                  |
| Pos. / poz. | Assembly / sestava      | Sub assembly / podsestava | Drawing number / číslo výkresu |

|                                                                                     |                     |                   |                                |
|-------------------------------------------------------------------------------------|---------------------|-------------------|--------------------------------|
|  | Material / materiál | Part name / název |                                |
|                                                                                     |                     | Nose gear         |                                |
| Name of designer / navrh                                                            | Ing Martin Zahálka  | Weight / hmotnost | kg                             |
| Date of issue / datum vydání                                                        | 26.2.2010           | Page / list       | 2 / 3                          |
| Revision / změna                                                                    |                     | Scale / měřítko   | Drawing number / číslo výkresu |
| Date of revision / datum změny                                                      |                     |                   | S420_000_00-1                  |
| Pcs. / kusů                                                                         | 1                   |                   |                                |

Upper attachment

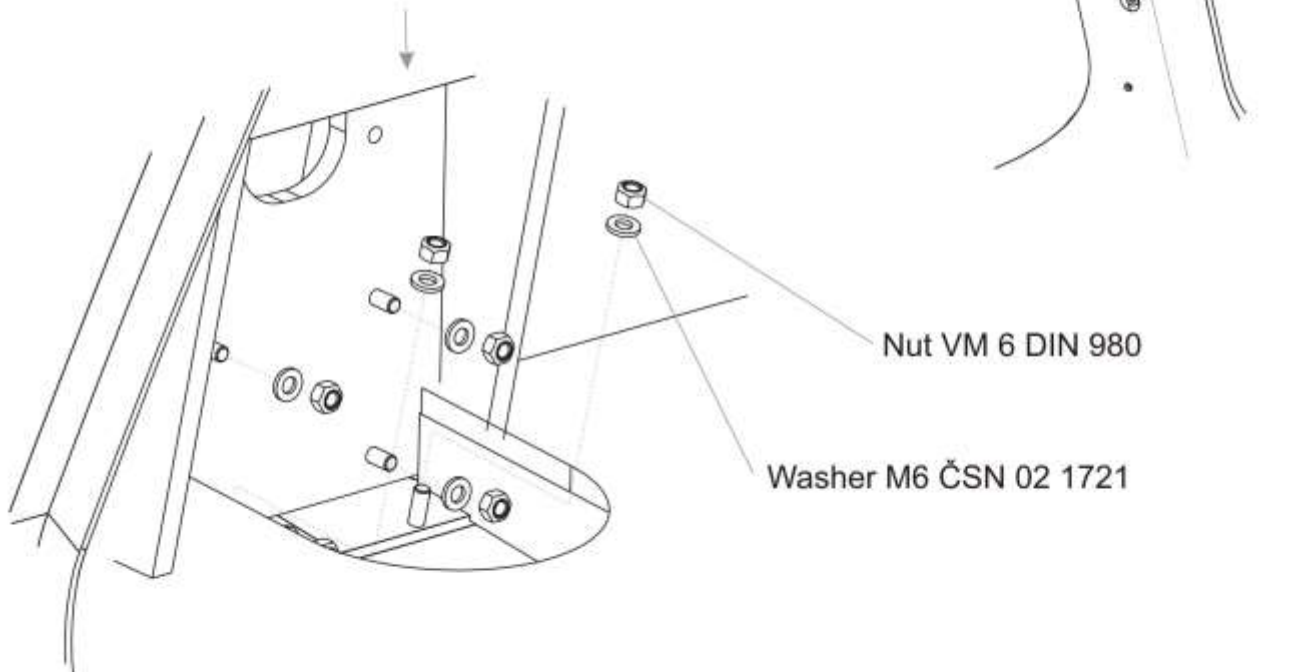


Screw M6 x 22 ISO 4014

Washer M6 ČSN 02 1721


Nut VM 6 DIN 980

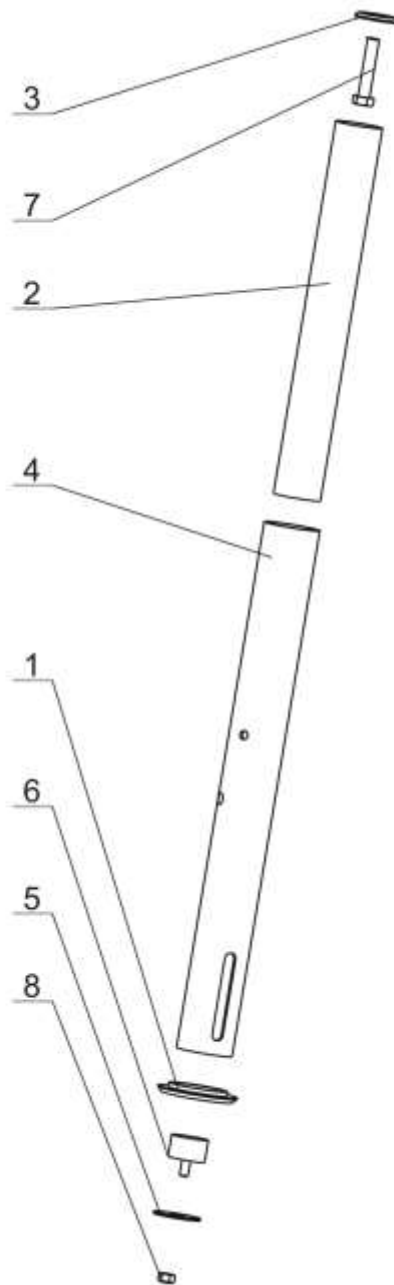
Bottom attachment




Nut VM 6 DIN 980

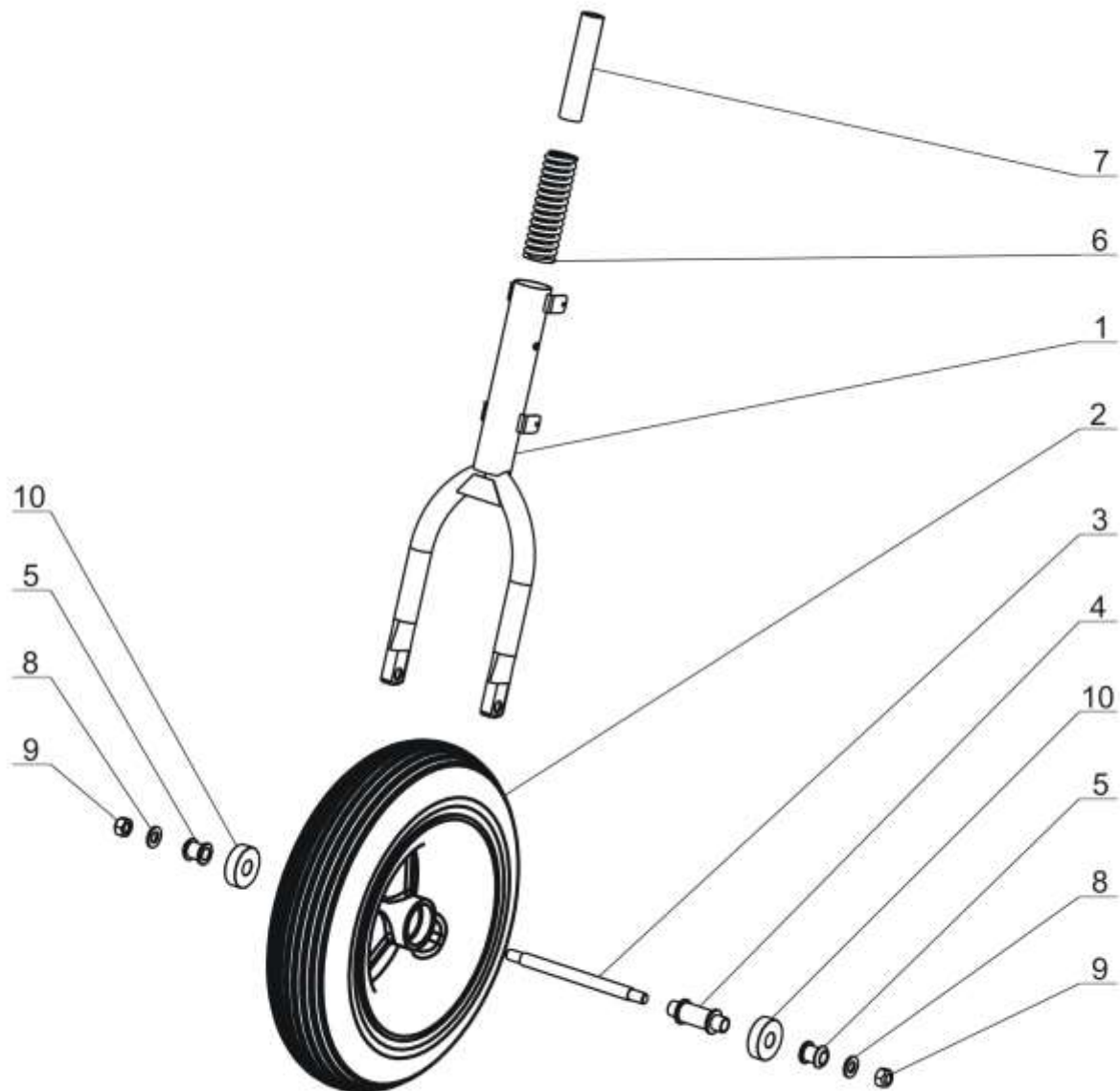
Washer M6 ČSN 02 1721

|                                                                                     |                     |                   |                                |             |
|-------------------------------------------------------------------------------------|---------------------|-------------------|--------------------------------|-------------|
|  | Material / materiál | Part name / název |                                |             |
|                                                                                     |                     | Nose gear         |                                |             |
| Name of designer / navrh                                                            | Ing Martin Zahálka  | Weight / hmotnost | kg                             | Page / list |
| Date of issue / datum vydání                                                        | 26.2.2010           | Scale / měřítko   | Drawing number / číslo výkresu |             |
| Revision / změna                                                                    |                     | S420_000_00-1     |                                |             |
| Date of revision / datum změny                                                      |                     |                   |                                |             |
| Pcs. / kusů                                                                         | 1                   |                   |                                |             |




|             |                    |                           |                                |
|-------------|--------------------|---------------------------|--------------------------------|
| 8           | Nut VM 6           |                           | DIN 980                        |
| 7           | Screw M8 x 40      |                           | ISO 4014                       |
| 6           | Rubber block M6    |                           | v.č. 4212                      |
| 5           | Bottom cap         |                           | s421_500_00-1                  |
| 4           | Bottom tube        |                           | s421_400_00-1                  |
| 3           | Upper cap          |                           | s421_300_00-1                  |
| 2           | Upper tube         |                           | s421_200_00-1                  |
| 1           | Ring               |                           | s421_100_00-1                  |
| Pos. / poz. | Assembly / sestava | Sub assembly / podsestava | Drawing number / číslo výkresu |

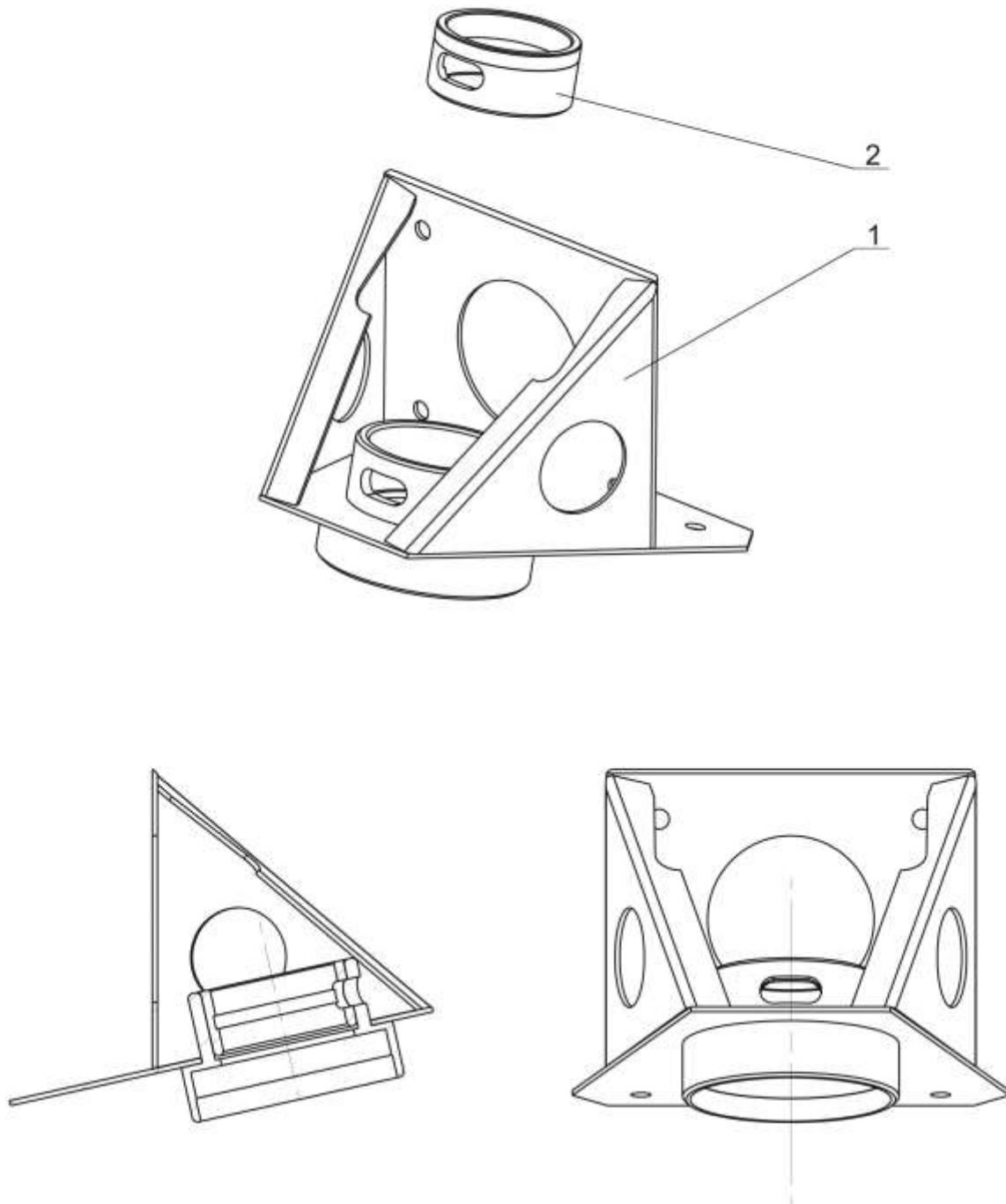
|                                                                                     |                     |                   |                                |
|-------------------------------------------------------------------------------------|---------------------|-------------------|--------------------------------|
|  | Material / materiál | Part name / název |                                |
|                                                                                     | -                   | Nose gear tube    |                                |
| Name of designer / navrh                                                            | Ing Martin Zahálka  | Weight / hmotnost | kg                             |
| Date of issue / datum vydání                                                        | 26.2.2010           | Page / list       | 1 / 1                          |
| Revision / změna                                                                    |                     | Scale / měřítko   | Drawing number / číslo výkresu |
| Date of revision / datum změny                                                      |                     |                   | S421_000_00-1                  |
| Pcs. / kusů                                                                         | 1                   |                   |                                |




|             |                          |                           |                                |
|-------------|--------------------------|---------------------------|--------------------------------|
| 10          | Ball bearing             |                           | ZKL 6303                       |
| 9           | Nut VM 12                |                           | DIN 980                        |
| 8           | Washer M12               |                           | ČSN 02 1721                    |
| 7           | Spring insert            |                           | -                              |
| 6           | Nose gear spring         |                           | s422_600_00-1                  |
| 5           | Nose gear distan. spacer |                           | s422_500_00-1                  |
| 4           | Nose gear insert         |                           | s422_400_00-1                  |
| 3           | Nose gear axis           |                           | s422_300_00-1                  |
| 2           | Wheel 400 x 100          |                           | s422_200_00-1                  |
| 1           | Fork                     |                           | s422_100_00-1                  |
| Pos. / poz. | Assembly / sestava       | Sub assembly / podsestava | Drawing number / číslo výkresu |

|                                                                                     |                     |                   |                                |
|-------------------------------------------------------------------------------------|---------------------|-------------------|--------------------------------|
|  | Material / materiál | Part name / název |                                |
|                                                                                     |                     | Nose gear fork    |                                |
| Name of designer / navrh                                                            | Ing Martin Zahálka  | Weight / hmotnost | kg                             |
| Date of issue / datum vydání                                                        | 26.2.2010           | Page / list       | 1 / 1                          |
| Revision / změna                                                                    |                     | Scale / měřítko   | Drawing number / číslo výkresu |
| Date of revision / datum změny                                                      |                     |                   | S422_000_00-1                  |
| Pcs. / kusů                                                                         | 1                   |                   |                                |

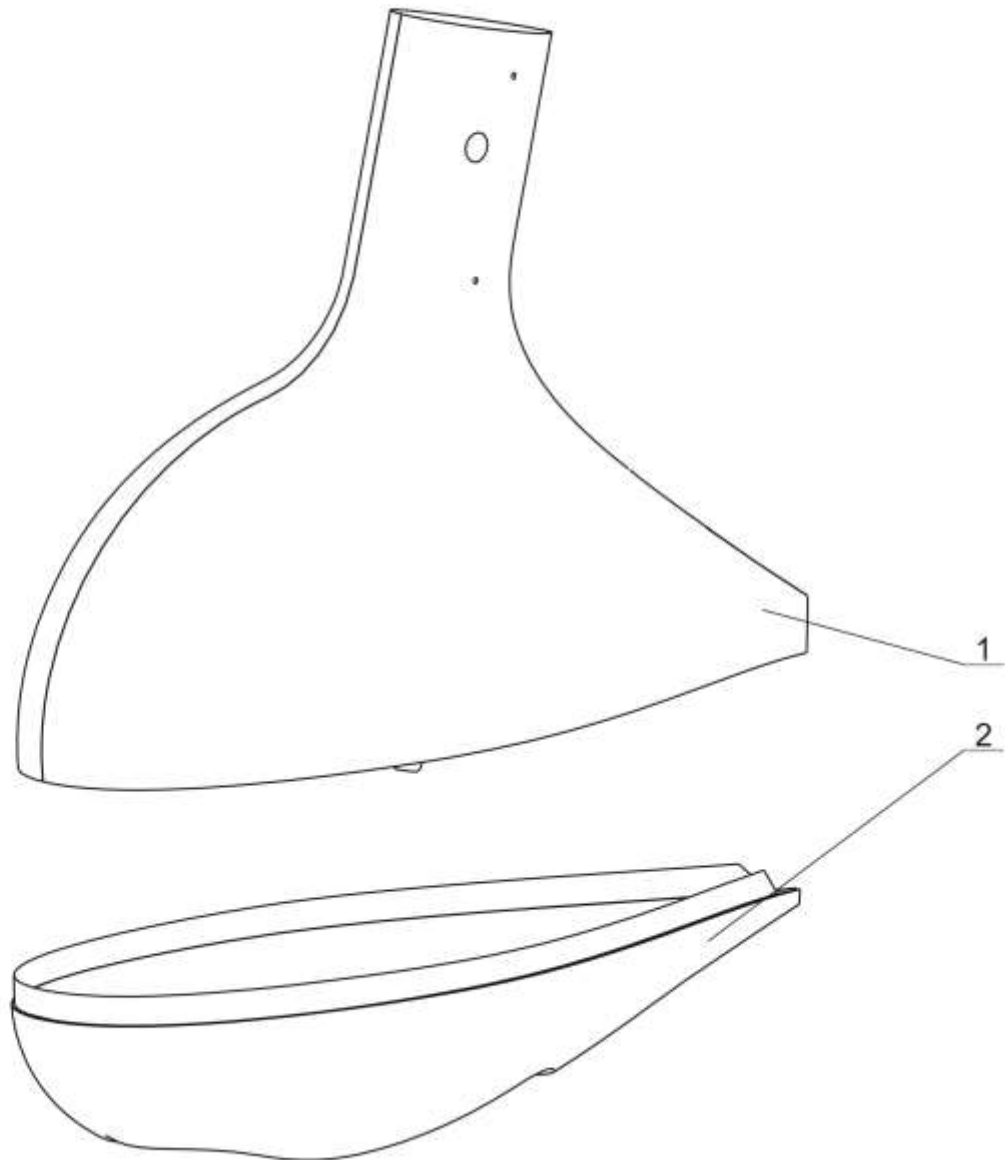





|             |                         |                           |                                |
|-------------|-------------------------|---------------------------|--------------------------------|
| 2           | Bottom suspension case  |                           | s423_200_00-1                  |
| 1           | Bottom suspension house |                           | s423_100_00-1                  |
| Pos. / poz. | Assembly / sestava      | Sub assembly / podsestava | Drawing number / číslo výkresu |

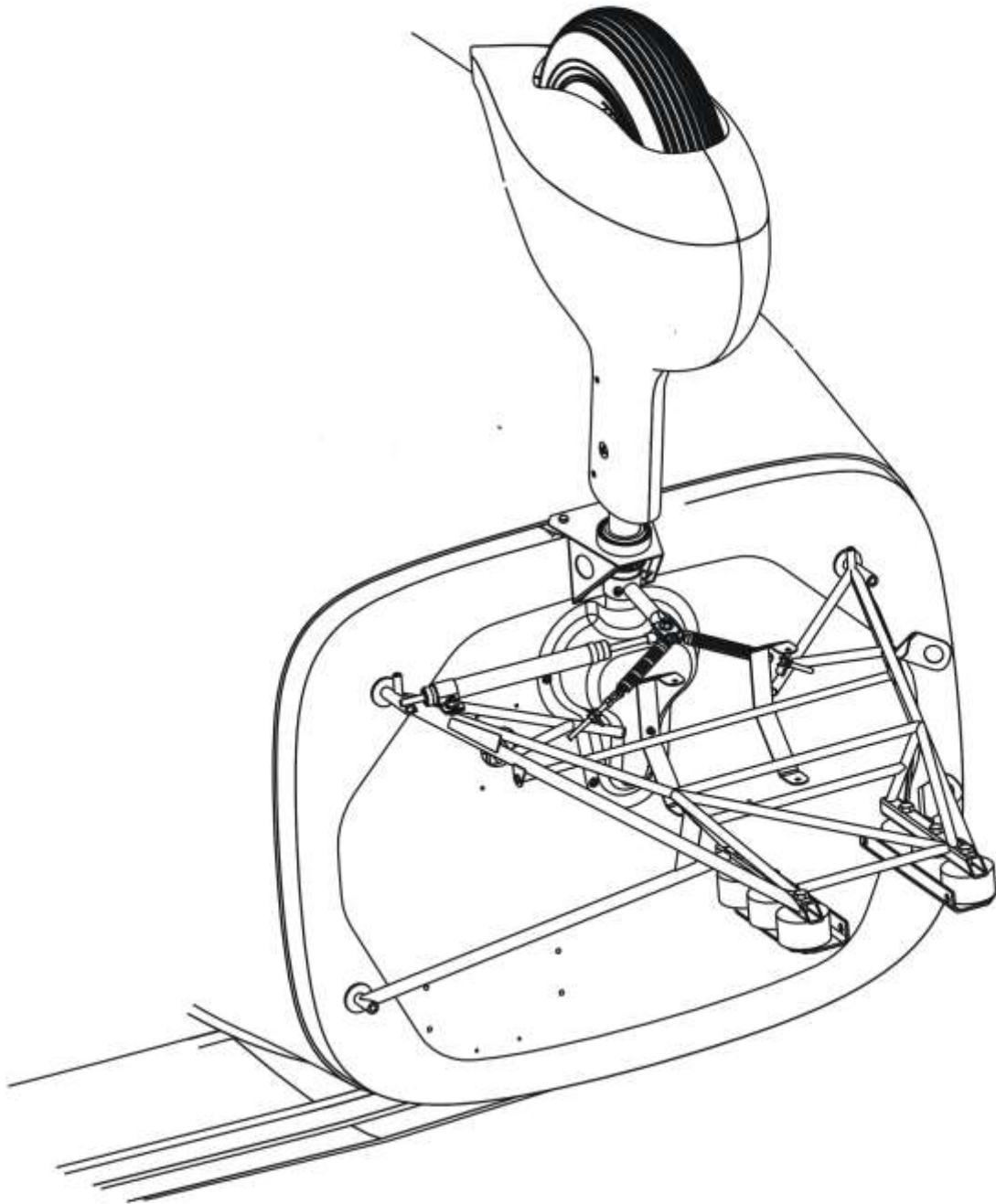
|                                                                                     |                     |                          |                                |
|-------------------------------------------------------------------------------------|---------------------|--------------------------|--------------------------------|
|  | Material / materiál | Part name / název        |                                |
|                                                                                     |                     | <b>Bottom attachment</b> |                                |
| Name of designer / návrh                                                            | Ing Martin Zahálka  | Weight / hmotnost        | kg                             |
| Date of issue / datum vydání                                                        | 26.2.2010           | Page / list              | 1 / 1                          |
| Revision / změna                                                                    |                     | Scale / měřítko          | Drawing number / číslo výkresu |
| Date of revision / datum změny                                                      |                     |                          | <b>S423_000_00-1</b>           |
| Pcs. / kusů                                                                         | 1                   |                          |                                |




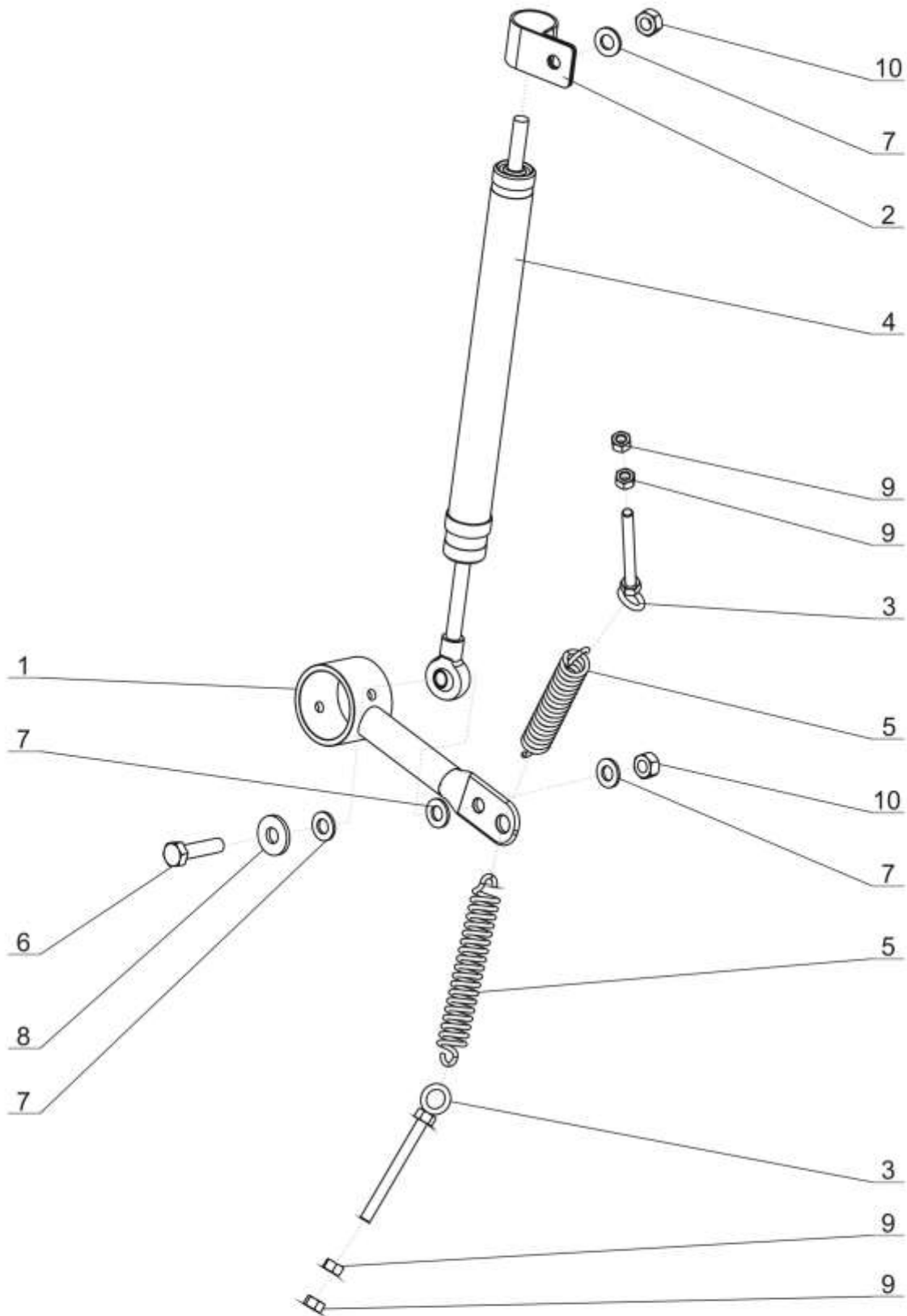



|             |                           |                           |                                |
|-------------|---------------------------|---------------------------|--------------------------------|
| 2           | Bottom part of wheel pant |                           | s426_200_00-1                  |
| 1           | Upper part of wheel pant  |                           | s426_100_00-1                  |
| Pos. / poz. | Assembly / sestava        | Sub assembly / podsestava | Drawing number / číslo výkresu |

|                                                                                     |                     |                      |                                |
|-------------------------------------------------------------------------------------|---------------------|----------------------|--------------------------------|
|  | Material / materiál | Part name / název    |                                |
|                                                                                     |                     | Nose gear wheel pant |                                |
| Name of designer / navrh                                                            | Ing Martin Zahálka  | Weight / hmotnost    | kg                             |
| Date of issue / datum vydání                                                        | 26.2.2010           | Page / list          | 1 / 1                          |
| Revision / změna                                                                    |                     | Scale / měřítko      | Drawing number / číslo výkresu |
| Date of revision / datum změny                                                      |                     |                      | S426_000_00-1                  |
| Pcs. / kusů                                                                         | 1                   |                      |                                |




|                                                                                     |                     |                        |                                |             |
|-------------------------------------------------------------------------------------|---------------------|------------------------|--------------------------------|-------------|
|  | Material / materiál | Part name / název      |                                |             |
|                                                                                     |                     | Shimming dumper system |                                |             |
| Name of designer / navrh                                                            | Ing Martin Zahálka  | Weight / hmotnost      | kg                             | Page / list |
| Date of issue / datum vydání                                                        | 26.2.2010           | Scale / měřítko        | Drawing number / číslo výkresu |             |
| Revision / změna                                                                    |                     | S427_000_00-1          |                                |             |
| Date of revision / datum změny                                                      |                     |                        |                                |             |
| Pcs. / kusů                                                                         | 1                   |                        |                                |             |

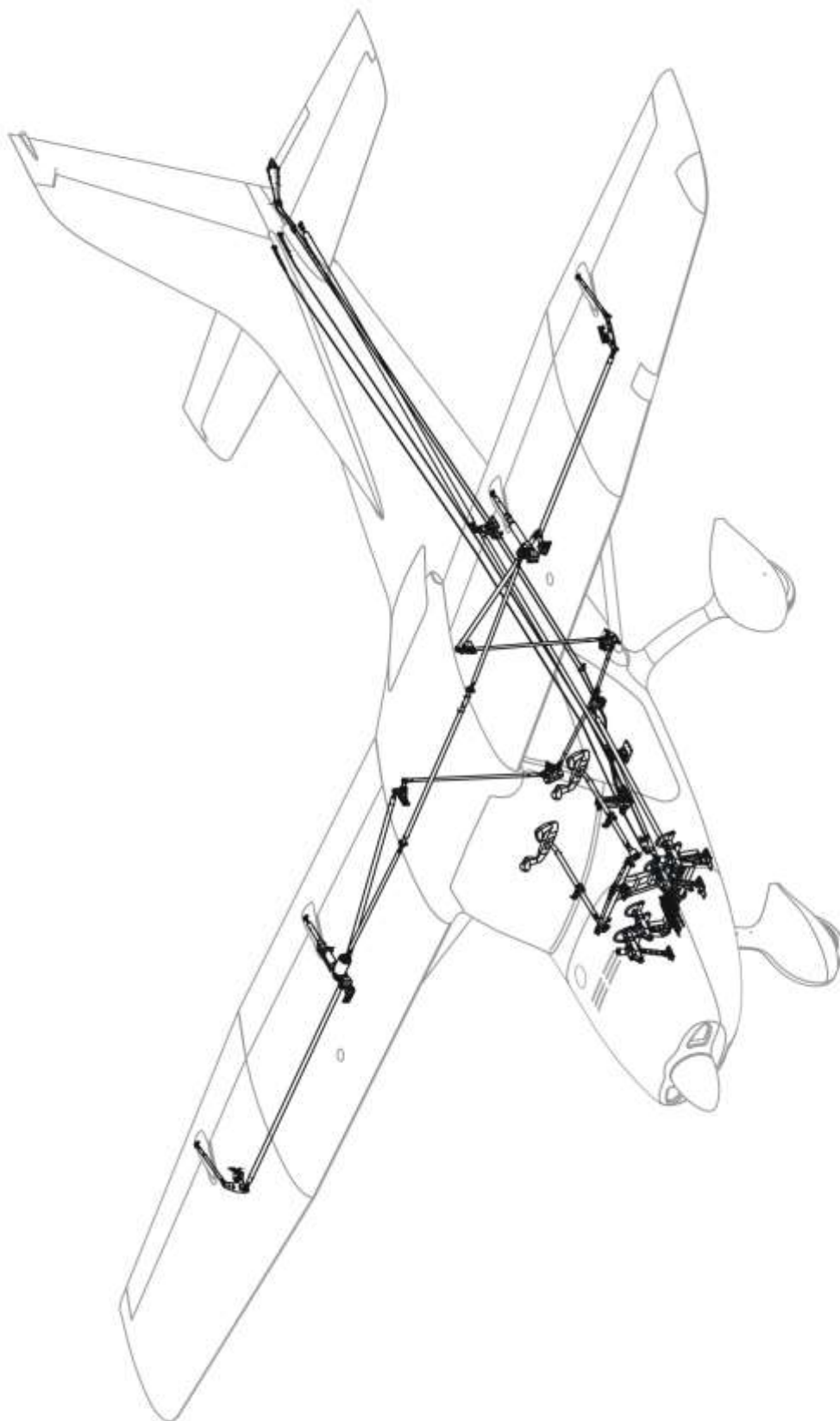



|                                                                                     |                     |                        |                                |             |
|-------------------------------------------------------------------------------------|---------------------|------------------------|--------------------------------|-------------|
|  | Material / materiál | Part name / název      |                                |             |
|                                                                                     |                     | Shimming dumper system |                                |             |
| Name of designer / navrh                                                            | Ing Martin Zahálka  | Weight / hmotnost      | kg                             | Page / list |
| Date of issue / datum vydání                                                        | 26.2.2010           | Scale / měřítko        | Drawing number / číslo výkresu |             |
| Revision / změna                                                                    |                     | S427_000_00-1          |                                |             |
| Date of revision / datum změny                                                      |                     |                        |                                |             |
| Pcs. / kusů                                                                         | 1                   |                        |                                |             |

|             |                           |                           |                                |
|-------------|---------------------------|---------------------------|--------------------------------|
| 10          | Nut VM 8                  |                           | DIN 980                        |
| 9           | Nut M6                    |                           | ISO 4032                       |
| 8           | Washer M8                 |                           | DIN 9021                       |
| 7           | Washer M8                 |                           | ČSN 02 1721                    |
| 6           | Screw M8 x 32             |                           | ISO 4014                       |
| 5           | Shimmy spring             |                           | -                              |
| 4           | Dumper TOBY               |                           | 15Cy40                         |
| 3           | Adjustable eye for spring |                           | s427_300_00-1                  |
| 2           | Socket                    |                           | s427_200_00-1                  |
| 1           | Balance beam              |                           | s427_100_00-1                  |
| Pos. / poz. | Assembly / sestava        | Sub assembly / podsestava | Drawing number / číslo výkresu |

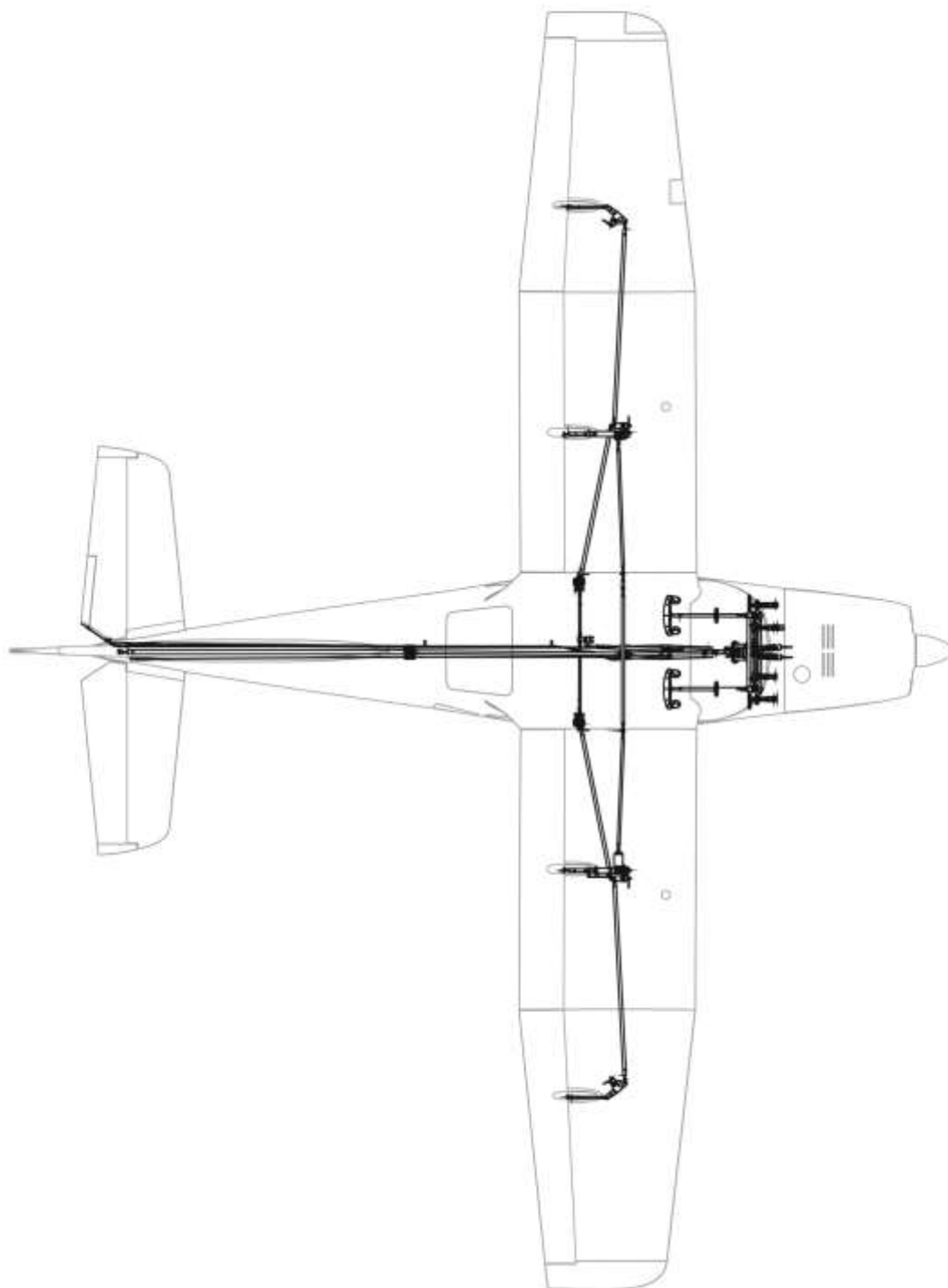
|                                                                                     |                     |                        |                                |
|-------------------------------------------------------------------------------------|---------------------|------------------------|--------------------------------|
|  | Material / materiál | Part name / název      |                                |
|                                                                                     | -                   | Shimming dumper system |                                |
| Name of designer / navrh                                                            | Ing Martin Zahálka  | Weight / hmotnost      | kg                             |
| Date of issue / datum vydání                                                        | 26.2.2010           | Page / list            | 3/3                            |
| Revision / změna                                                                    |                     | Scale / měřítko        | Drawing number / číslo výkresu |
| Date of revision / datum změny                                                      |                     |                        | S427_000_00-1                  |
| Pcs. / kusů                                                                         | 1                   |                        |                                |


S500\_000\_00-1\_Control

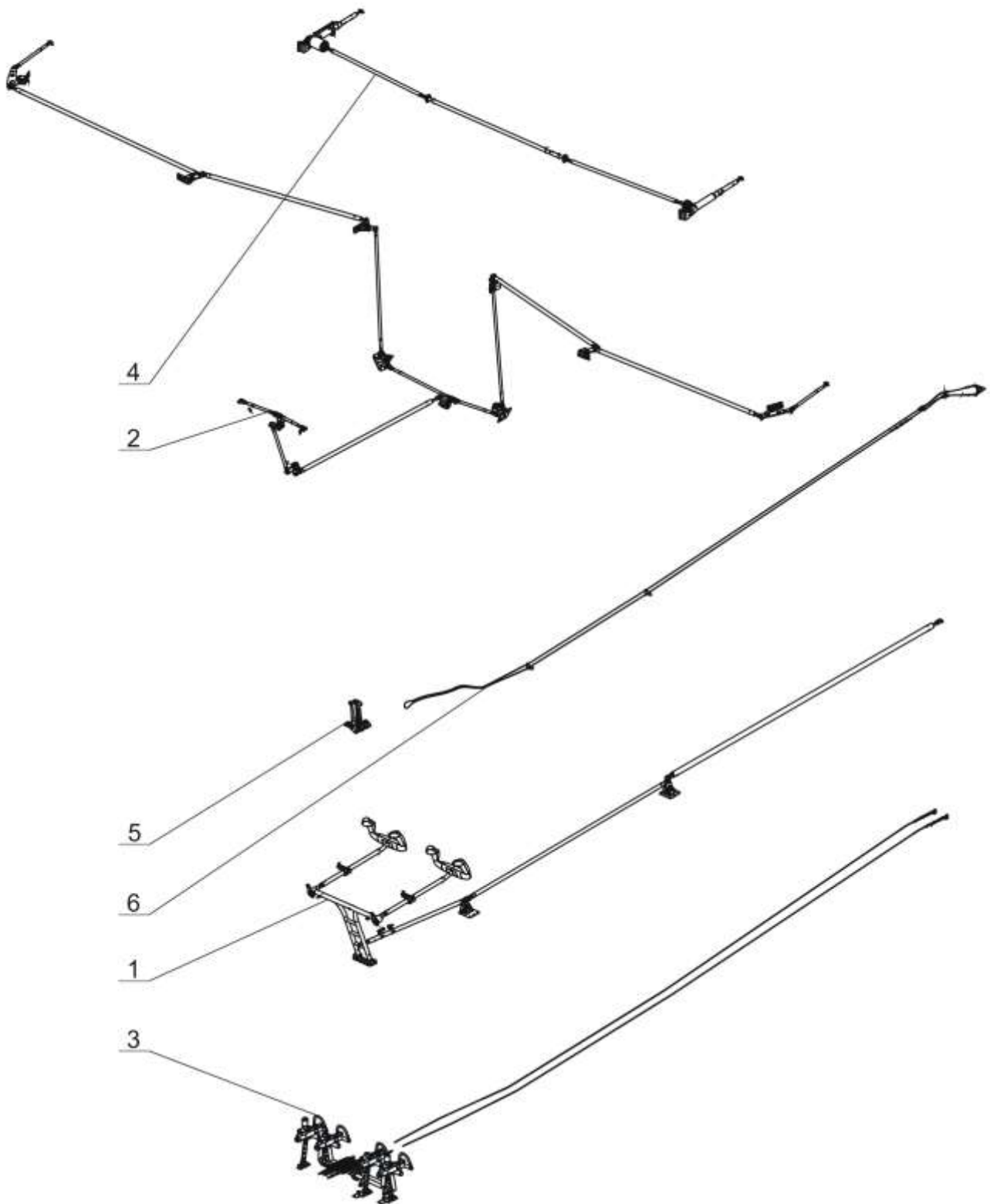



|                                                                                     |                     |                   |                                |             |
|-------------------------------------------------------------------------------------|---------------------|-------------------|--------------------------------|-------------|
|  | Material / materiál | Part name / název |                                |             |
|                                                                                     | -                   | Control           |                                |             |
| Name of designer / navrhl                                                           | Ing Martin Zahálka  | Weight / hmotnost | kg                             | Page / list |
| Date of issue / datum vydání                                                        | 26.2.2010           | Scale / měřítko   | Drawing number / číslo výkresu |             |
| Revision / změna                                                                    |                     | S500_000_00-1     |                                |             |
| Date of revision / datum změny                                                      |                     |                   |                                |             |
| Pcs. / kusů                                                                         | 1                   |                   |                                |             |






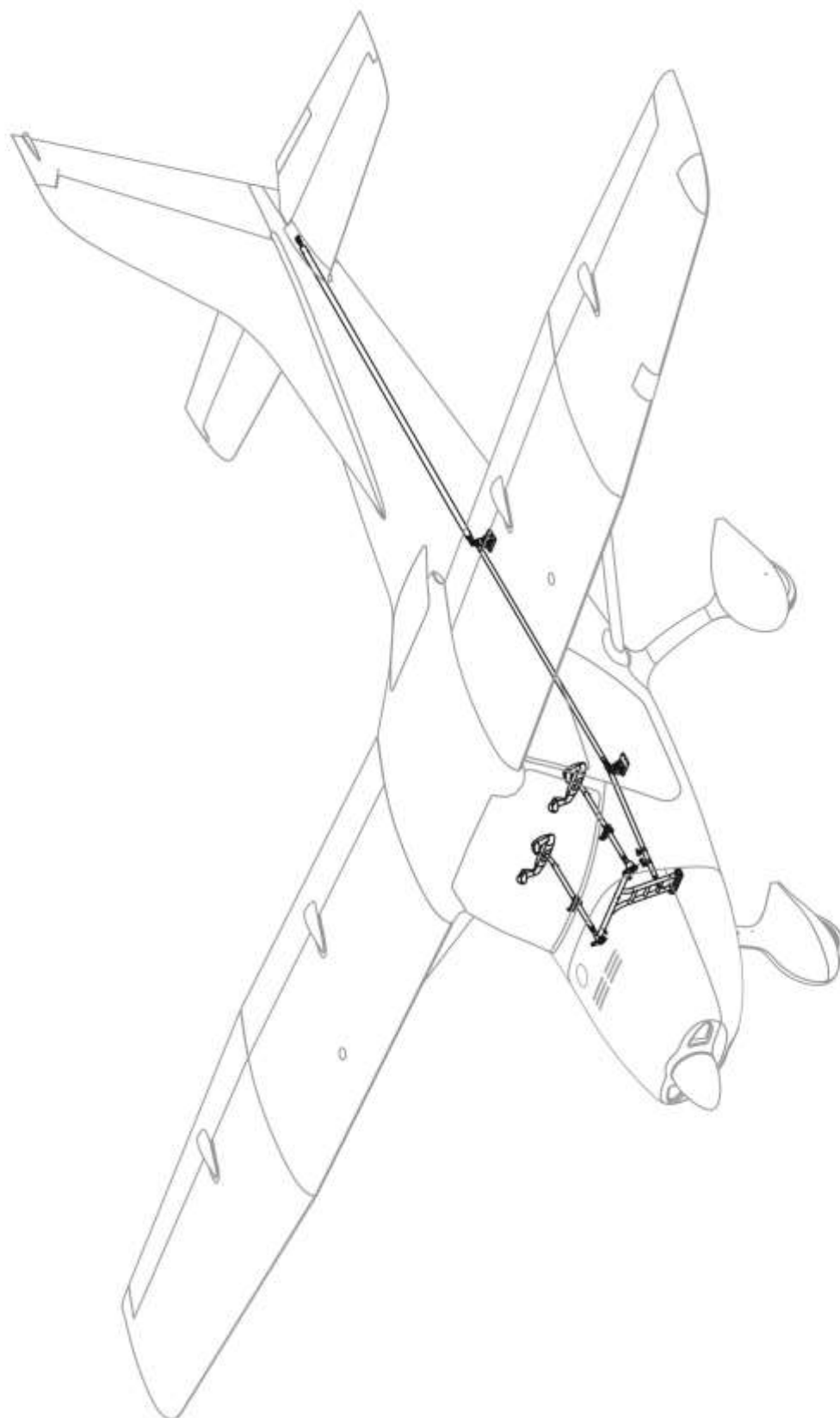
|                                                                                     |                     |                   |                                |             |
|-------------------------------------------------------------------------------------|---------------------|-------------------|--------------------------------|-------------|
|  | Material / materiál | Part name / název |                                |             |
|                                                                                     | -                   | Control           |                                |             |
| Name of designer / navrhl                                                           | Ing Martin Zahálka  | Weight / hmotnost | kg                             | Page / list |
| Date of issue / datum vydání                                                        | 26.2.2010           | Scale / měřítko   | Drawing number / číslo výkresu |             |
| Revision / změna                                                                    |                     | S500_000_00-1     |                                |             |
| Date of revision / datum změny                                                      |                     |                   |                                |             |
| Pcs. / kusů                                                                         | 1                   |                   |                                |             |




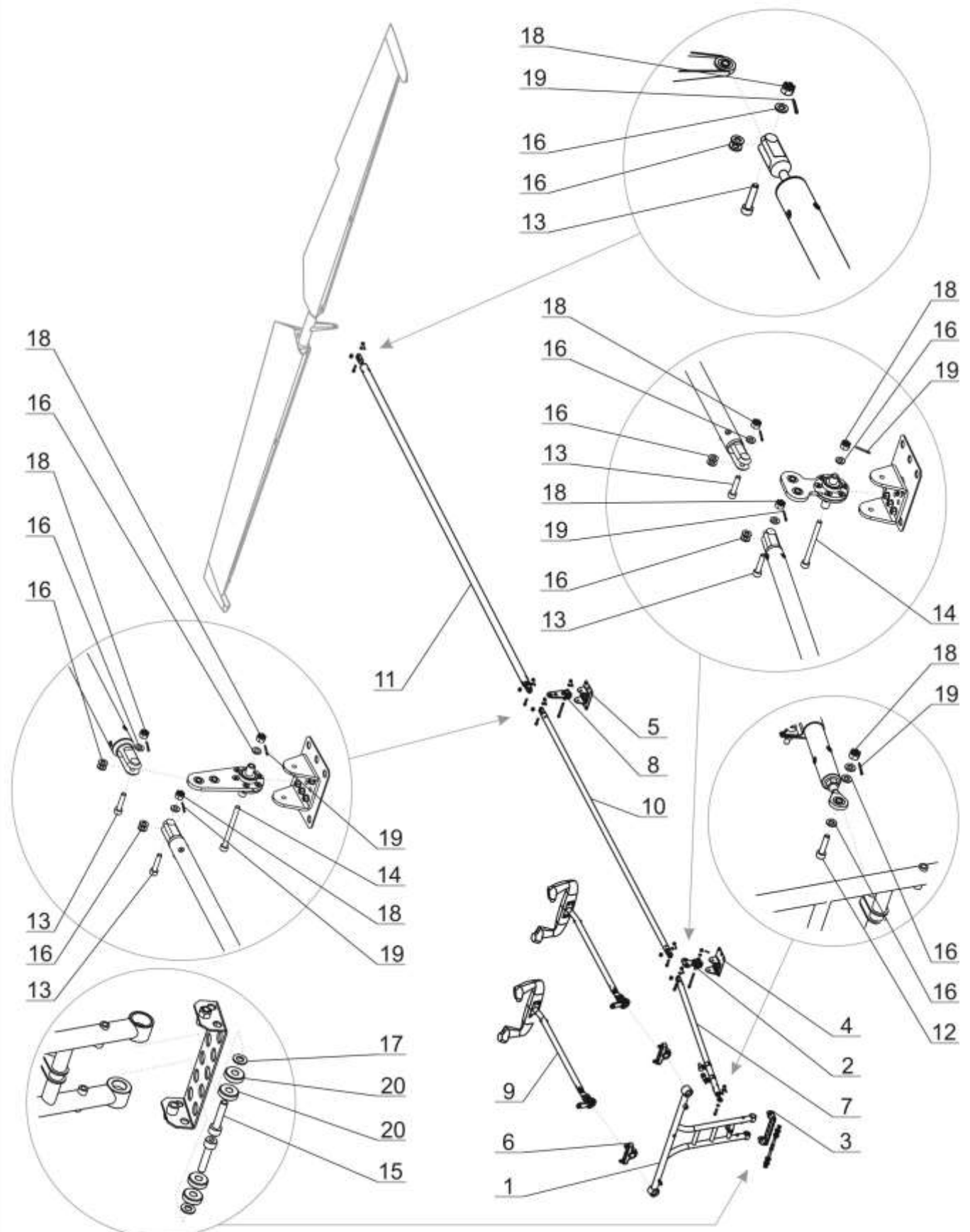
|                                                                                     |                     |                   |                                |             |
|-------------------------------------------------------------------------------------|---------------------|-------------------|--------------------------------|-------------|
|  | Material / materiál | Part name / název |                                |             |
|                                                                                     |                     | Control           |                                |             |
| Name of designer / navrh                                                            | Ing Martin Zahálka  | Weight / hmotnost | kg                             | Page / list |
| Date of issue / datum vydání                                                        | 26.2.2010           | Scale / měřítko   | Drawing number / číslo výkresu |             |
| Revision / změna                                                                    |                     | S500_000_00-1     |                                |             |
| Date of revision / datum změny                                                      |                     |                   |                                |             |
| Pcs. / kusů                                                                         | 1                   |                   |                                |             |


|             |                          |                           |                                |
|-------------|--------------------------|---------------------------|--------------------------------|
| 6           | Trim system              |                           | s560_000_00-1                  |
| 5           | Throttle and trim system |                           | s550_000_00-1                  |
| 4           | Flaps drive              |                           | s540_000_00-1                  |
| 3           | Rudder control           |                           | s530_000_00-1                  |
| 2           | Ailerons control         |                           | s520_000_00-1                  |
| 1           | Elevator control         |                           | s510_000_00-1                  |
| Pos. / poz. | Assembly / sestava       | Sub assembly / podsestava | Drawing number / číslo výkresu |

|                                                                                     |                     |                   |                                |
|-------------------------------------------------------------------------------------|---------------------|-------------------|--------------------------------|
|  | Material / materiál | Part name / název |                                |
|                                                                                     |                     | Control           |                                |
| Name of designer / navrh                                                            | Ing Martin Zahálka  | Weight / hmotnost | kg                             |
| Date of issue / datum vydání                                                        | 26.2.2010           | Page / list       | 4/4                            |
| Revision / změna                                                                    |                     | Scale / měřítko   | Drawing number / číslo výkresu |
| Date of revision / datum změny                                                      |                     |                   | S500_000_00-1                  |
| Pcs. / kusů                                                                         | 1                   |                   |                                |



|                                                                                     |                     |                   |                                |                   |
|-------------------------------------------------------------------------------------|---------------------|-------------------|--------------------------------|-------------------|
|  | Material / materiál | Part name / název |                                |                   |
|                                                                                     | -                   | Elevator control  |                                |                   |
| Name of designer / navrhl                                                           | Ing Martin Zahálka  | Weight / hmotnost | kg                             | Page / list 1 / 3 |
| Date of issue / datum vydání                                                        | 26.2.2010           | Scale / měřítko   | Drawing number / číslo výkresu |                   |
| Revision / změna                                                                    |                     | S510_000_00-1     |                                |                   |
| Date of revision / datum změny                                                      |                     |                   |                                |                   |
| Pcs. / kusů                                                                         | 1                   |                   |                                |                   |




|                                                                                     |                          |                    |                                |             |       |
|-------------------------------------------------------------------------------------|--------------------------|--------------------|--------------------------------|-------------|-------|
|  | Material / materiál      | -                  |                                |             |       |
|                                                                                     | Name of designer / navrh | Ing Martin Zahálka |                                |             |       |
| Date of issue / datum vydání                                                        | 26.2.2010                | Weight / hmotnost  | kg                             | Page / list | 2 / 3 |
| Revision / změna                                                                    |                          | Scale / měřítko    | Drawing number / číslo výkresu |             |       |
| Date of revision / datum změny                                                      |                          | S510_000_00-1      |                                |             |       |
| Pcs. / kusů                                                                         | 1                        |                    |                                |             |       |

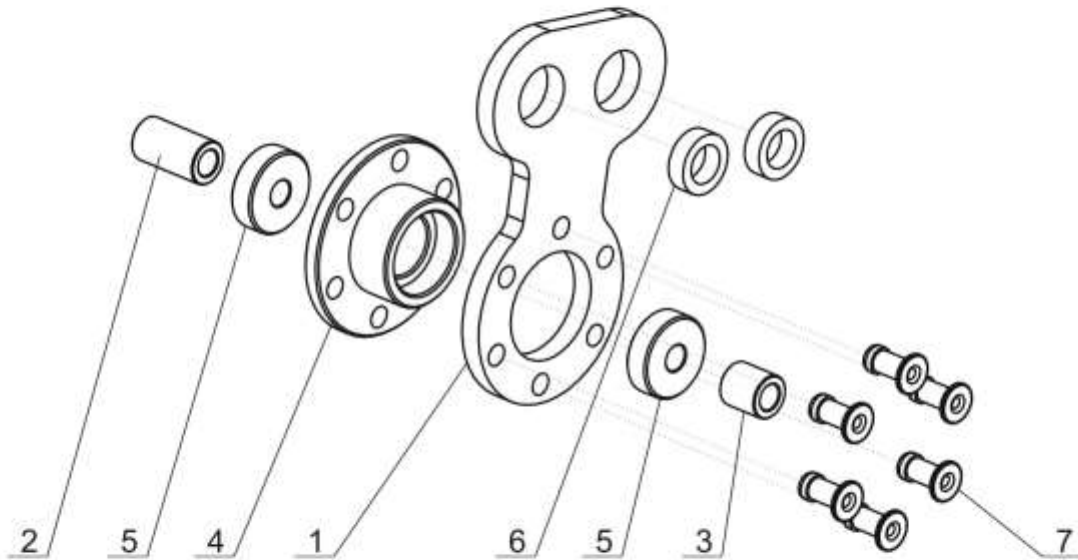
Elevator control




|             |                            |                                |                                |
|-------------|----------------------------|--------------------------------|--------------------------------|
| 20          | Ball bearing               |                                | ZKL 608                        |
| 19          | Cotter pin 1,6             |                                | ČSN 02 1781                    |
| 18          | Castle nut M6              |                                | ČSN 02 1411                    |
| 17          | Washer M8                  |                                | ČSN 02 1721                    |
| 16          | Washer M6                  |                                | ČSN 02 1721                    |
| 15          | Screw M8 x 36              |                                | DIN 912                        |
| 14          | Screw M6 x 68              |                                | DIN 912                        |
| 13          | Screw M6 x 27              |                                | DIN 912                        |
| 12          | Screw M6 x 25              |                                | DIN 912                        |
| 11          | Rear pullrod assembly      |                                | s518_000_00-1                  |
| 10          | Middle pullrod assembly    |                                | s517_000_00-1                  |
| 9           | Steering yoke assembly     |                                | s516_000_00-1                  |
| 8           | Rear control lever assem.  |                                | s515_000_00-1                  |
| 7           | Front pullrod assembly     |                                | s514_000_00-1                  |
| 6           |                            | Yoke upper attachment          | s513_400_00-1                  |
| 5           |                            | Elevator control rear attach.  | s513_300_00-1                  |
| 4           |                            | Elevator control front attach. | s513_200_00-1                  |
| 3           |                            | Yoke lever bottom attachem.    | s513_100_00-1                  |
| -           | Elevator control mounts    |                                | s513_000_00-1                  |
| 2           | Front contr. lever assemb. |                                | s512_000_00-1                  |
| 1           | Yoke lever assembly        |                                | s511_000_00-1                  |
| Pos. / poz. | Assembly / sestava         | Sub assembly / podsestava      | Drawing number / číslo výkresu |

|                                                                                     |                     |                   |                                |
|-------------------------------------------------------------------------------------|---------------------|-------------------|--------------------------------|
|  | Material / materiál | Part name / název |                                |
|                                                                                     |                     | Elevator control  |                                |
| Name of designer / navrh                                                            | Ing Martin Zahálka  | Weight / hmotnost | kg                             |
| Date of issue / datum vydání                                                        | 26.2.2010           | Page / list       | 3 / 3                          |
| Revision / změna                                                                    |                     | Scale / měřítko   | Drawing number / číslo výkresu |
| Date of revision / datum změny                                                      |                     |                   | S510_000_00-1                  |
| Pcs. / kusů                                                                         | 1                   |                   |                                |

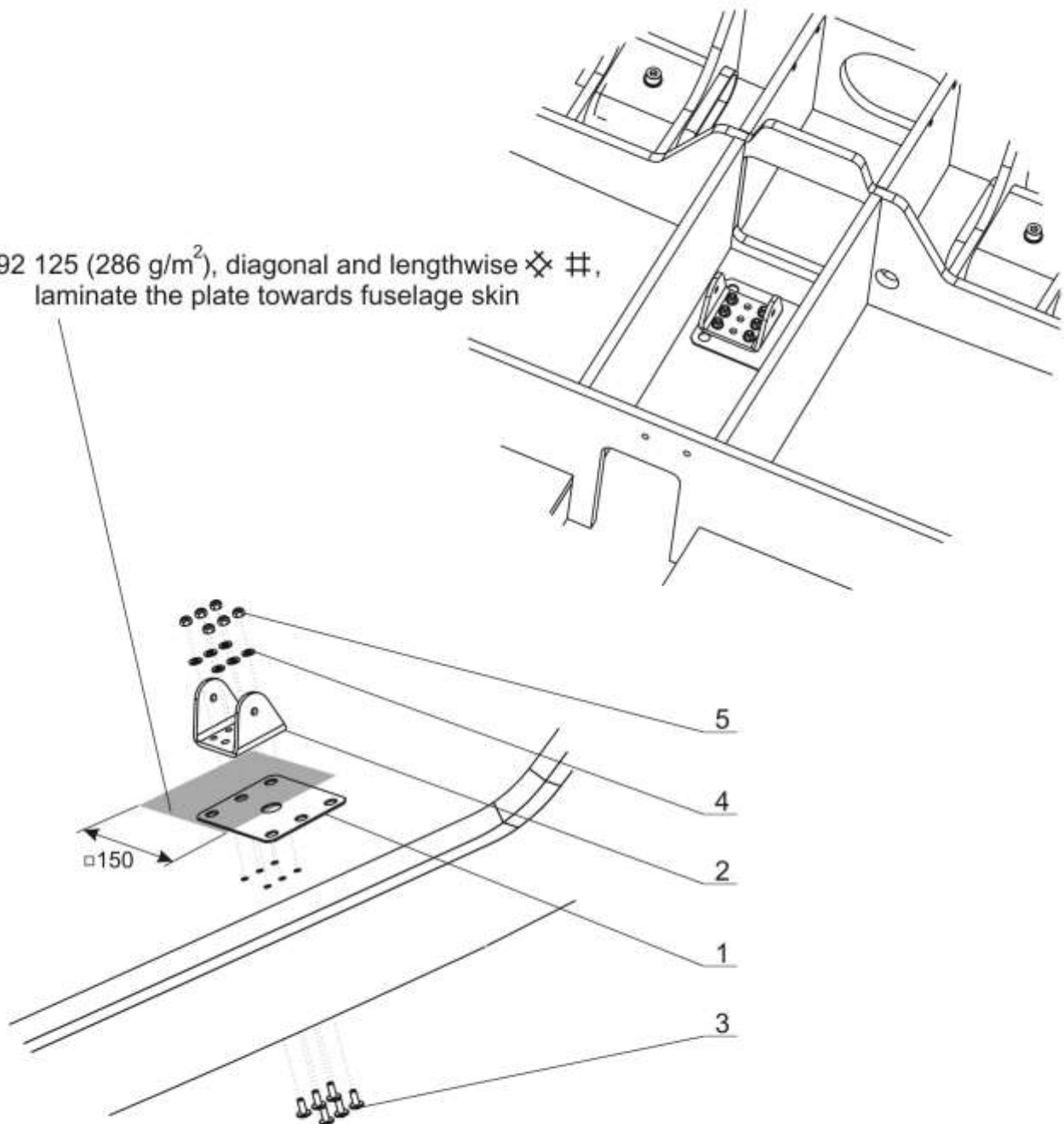





|             |                             |                           |                                |
|-------------|-----------------------------|---------------------------|--------------------------------|
| 7           | Rivet Fe Ø 5 x 14           |                           | DIN 7337                       |
| 6           | Bearing 6                   |                           | ČSN 02 3512                    |
| 5           | Ball bearing                |                           | 626ZZ                          |
| 4           | Bearing house - 1           |                           | s590_100_00-1                  |
| 3           | Elevator control spacer - B |                           | s512_300_00-1                  |
| 2           | Elevator control spacer - A |                           | s512_200_00-1                  |
| 1           | Front control lever         |                           | s512_100_00-1                  |
| Pos. / poz. | Assembly / sestava          | Sub assembly / podsestava | Drawing number / číslo výkresu |

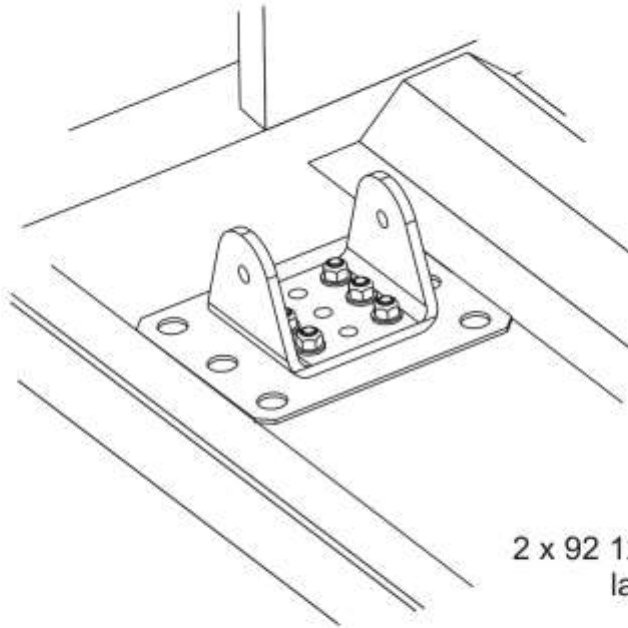
|                                                                                     |                     |                                |     |
|-------------------------------------------------------------------------------------|---------------------|--------------------------------|-----|
|  | Material / materiál | Part name / název              |     |
|                                                                                     |                     | Front control lever assembly   |     |
| Name of designer / návrh                                                            | Ing Martin Zahálka  | Weight / hmotnost              | kg  |
| Date of issue / datum vydání                                                        | 26.2.2010           | Page / list                    | 1/1 |
| Revision / změna                                                                    |                     | Drawing number / číslo výkresu |     |
| Date of revision / datum změny                                                      |                     | S512_000_00-1                  |     |
| Pcs. / kusů                                                                         | 1                   |                                |     |

2 x 92 125 (286 g/m<sup>2</sup>), diagonal and lengthwise ✕ †, laminate the plate towards fuselage skin

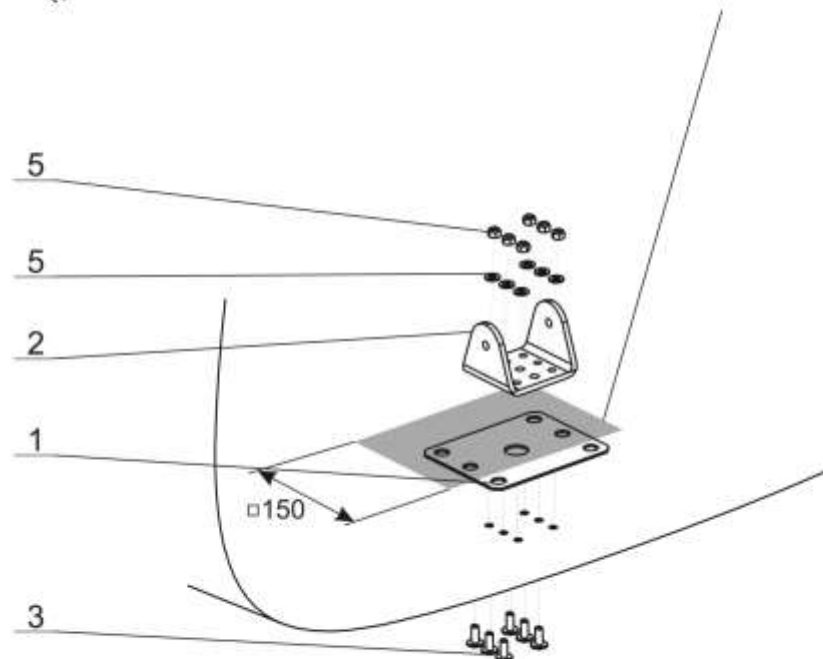


|             |                          |                           |                                |
|-------------|--------------------------|---------------------------|--------------------------------|
| 5           | Nut VM 5                 |                           | DIN 980                        |
| 4           | Washer M5                |                           | ČSN 02 1721                    |
| 3           | Screw M5 x 12            |                           | PN 02009                       |
| 2           | U - attachment           |                           | s590_1200_00-1                 |
| 1           | Control attachment plate |                           | s590_1100_00-1                 |
| Pos. / poz. | Assembly / sestava       | Sub assembly / podsestava | Drawing number / číslo výkresu |


|                                                                                     |                     |                                   |                                |
|-------------------------------------------------------------------------------------|---------------------|-----------------------------------|--------------------------------|
|  | Material / materiál | Part name / název                 |                                |
|                                                                                     |                     | Elevator control front attachment |                                |
| Name of designer / navrh                                                            | Ing Martin Zahálka  | Weight / hmotnost                 | kg                             |
| Date of issue / datum vydání                                                        | 26.2.2010           | Page / list                       | 1 / 1                          |
| Revision / změna                                                                    |                     | Scale / měřítko                   | Drawing number / číslo výkresu |
| Date of revision / datum změny                                                      |                     | S513_200_00-1                     |                                |
| Pcs. / kusů                                                                         | 1                   |                                   |                                |

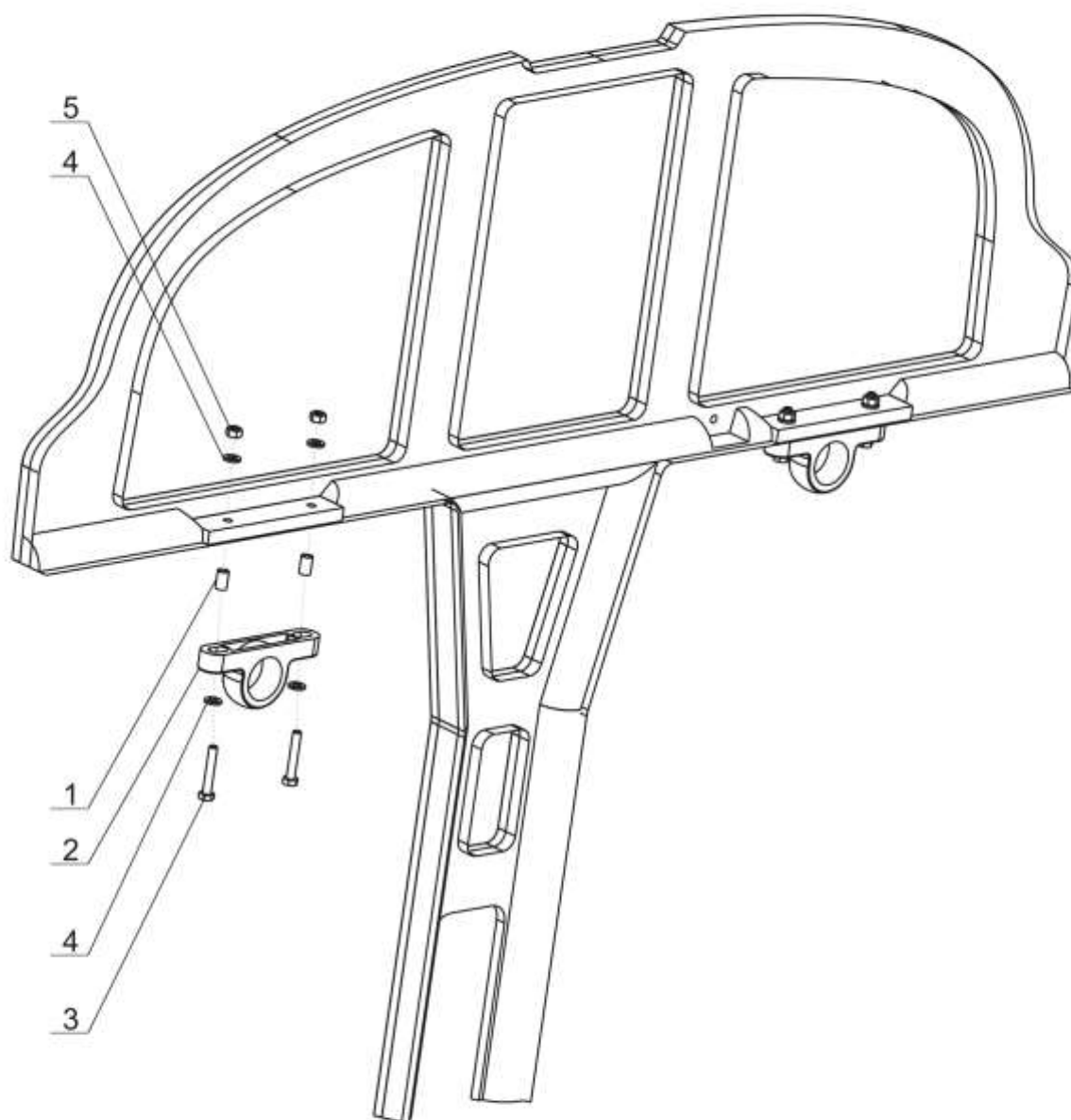


2 x 92 125 (286 g/m)<sup>2</sup> diagonal and lengthwise ✕ #,  
laminate the plate towards fuselage skin




|             |                          |                           |                                |
|-------------|--------------------------|---------------------------|--------------------------------|
| 5           | Nut VM 5                 |                           | DIN 980                        |
| 4           | Washer M5                |                           | ČSN 02 1721                    |
| 3           | Screw M5 x 12            |                           | PN 02009                       |
| 2           | U - attachment           |                           | s590_1200_00-1                 |
| 1           | Control attachment plate |                           | s590_1100_00-1                 |
| Pos. / poz. | Assembly / sestava       | Sub assembly / podsestava | Drawing number / číslo výkresu |

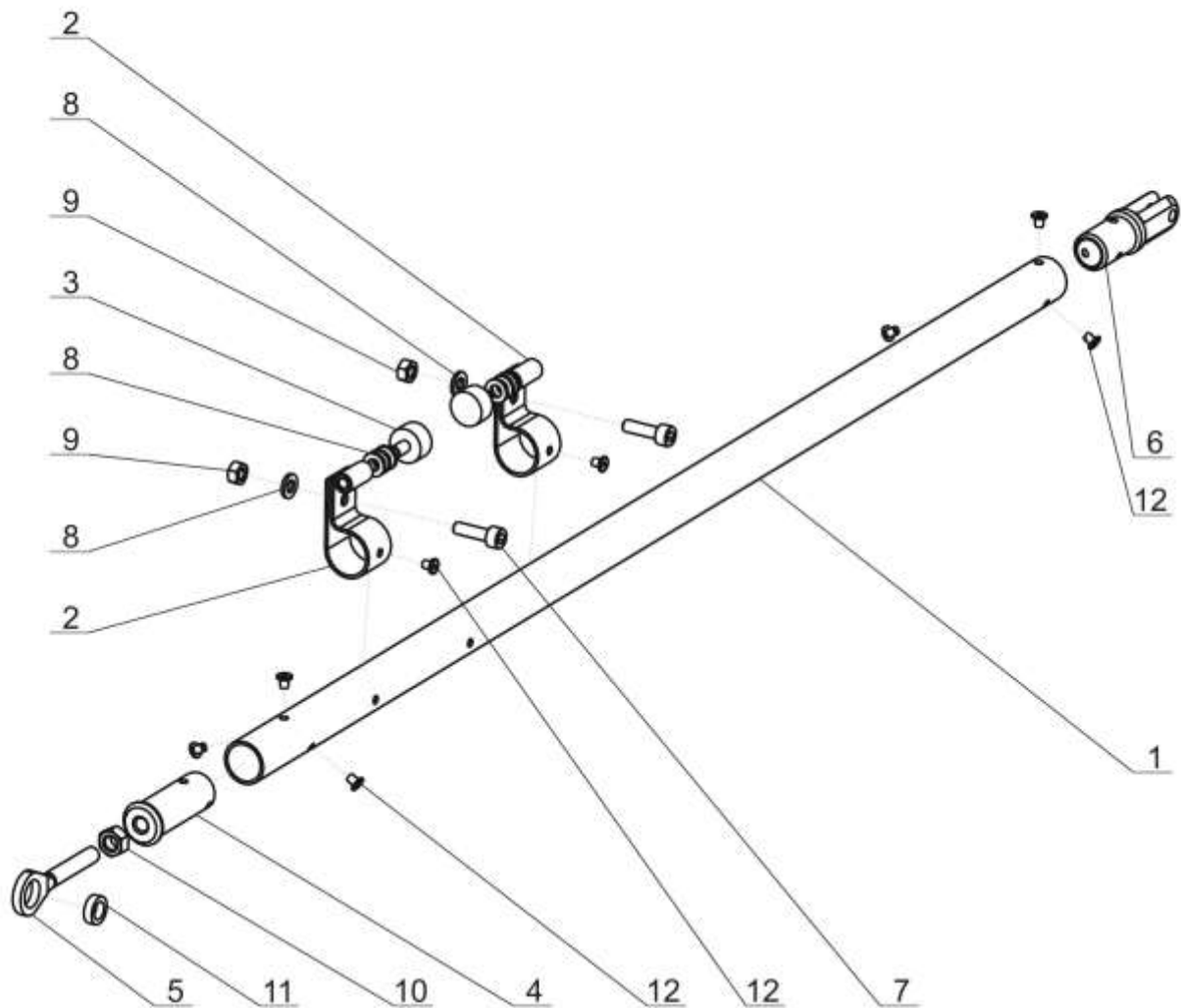
|                                                                                     |                     |                                  |                                |
|-------------------------------------------------------------------------------------|---------------------|----------------------------------|--------------------------------|
|  | Material / materiál | Part name / název                |                                |
|                                                                                     |                     | Elevator control rear attachment |                                |
| Name of designer / navrh                                                            | Ing Martin Zahálka  | Weight / hmotnost                | kg                             |
| Date of issue / datum vydání                                                        | 26.2.2010           | Page / list                      | 1 / 1                          |
| Revision / změna                                                                    |                     | Scale / měřítko                  | Drawing number / číslo výkresu |
| Date of revision / datum změny                                                      |                     |                                  | S513_300_00-1                  |
| Pcs. / kusů                                                                         | 1                   |                                  |                                |




|             |                           |                           |                                |
|-------------|---------------------------|---------------------------|--------------------------------|
| 5           | Nut VM 6                  |                           | DIN 980                        |
| 4           | Washer M6                 |                           | ČSN 02 1721                    |
| 3           | Screw M6 x 35             |                           | ISO 4014                       |
| 2           | Bearing house             |                           | KSTM - 22                      |
| 1           | Yoke upper attach. spacer |                           | s513 410 00-1                  |
| Pos. / poz. | Assembly / sestava        | Sub assembly / podsestava | Drawing number / číslo výkresu |

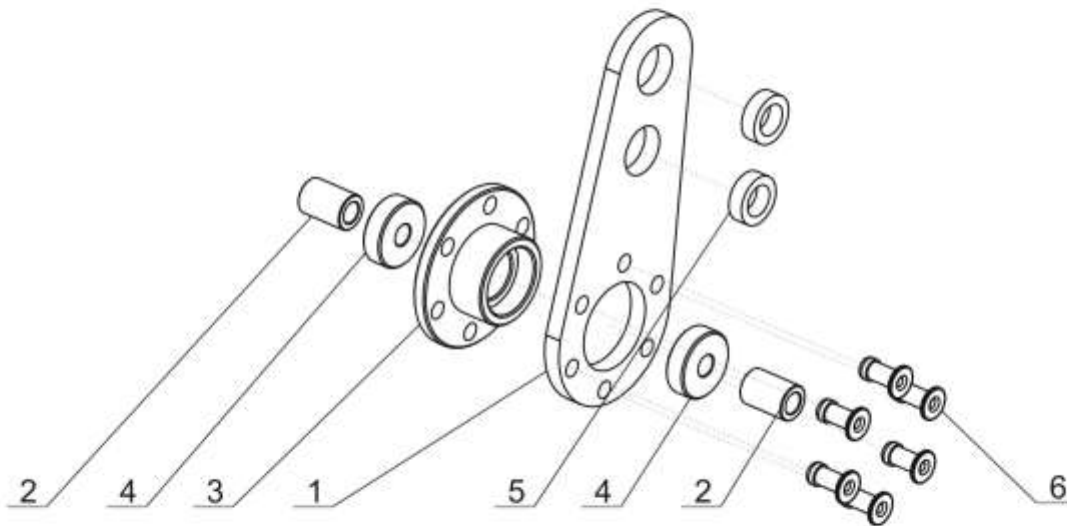
|                                                                                     |                     |                       |                                |
|-------------------------------------------------------------------------------------|---------------------|-----------------------|--------------------------------|
|  | Material / materiál | Part name / název     |                                |
|                                                                                     |                     | Yoke upper attachment |                                |
| Name of designer / návrh                                                            | Ing Martin Zahálka  | Weight / hmotnost     | kg                             |
| Date of issue / datum vydání                                                        | 26.2.2010           | Page / list           | 1 / 1                          |
| Revision / změna                                                                    |                     | Scale / měřítko       | Drawing number / číslo výkresu |
| Date of revision / datum změny                                                      |                     |                       | S513_400_00-1                  |
| Pcs. / kusů                                                                         | 1                   |                       |                                |






|             |                        |                           |                                |
|-------------|------------------------|---------------------------|--------------------------------|
| 12          | Rivet Fe Ø 4x12        |                           | DIN 7337                       |
| 11          | Bearing 6              |                           | ČSN 02 3515                    |
| 10          | Nut M 8                |                           | ISO 4032                       |
| 9           | Nut VM 6               |                           | DIN 980                        |
| 8           | Washer M6              |                           | ČSN 02 1721                    |
| 7           | Screw M6 x 20          |                           | DIN 912                        |
| 6           | solid fork 22 - 1,5    |                           | s590_400_00-1                  |
| 5           | Adjustable eye M 8     |                           | s590_300_00-1                  |
| 4           | Thread insert 22 - 1,5 |                           | s590_200_00-1                  |
| 3           | Control stop           |                           | s514_300_00-1                  |
| 2           | Stop socket            |                           | s514_200_00-1                  |
| 1           | Front pullrod          |                           | TR 22x1,5 - 710 (42 4201.61)   |
| Pos. / poz. | Assembly / sestava     | Sub assembly / podsestava | Drawing number / číslo výkresu |

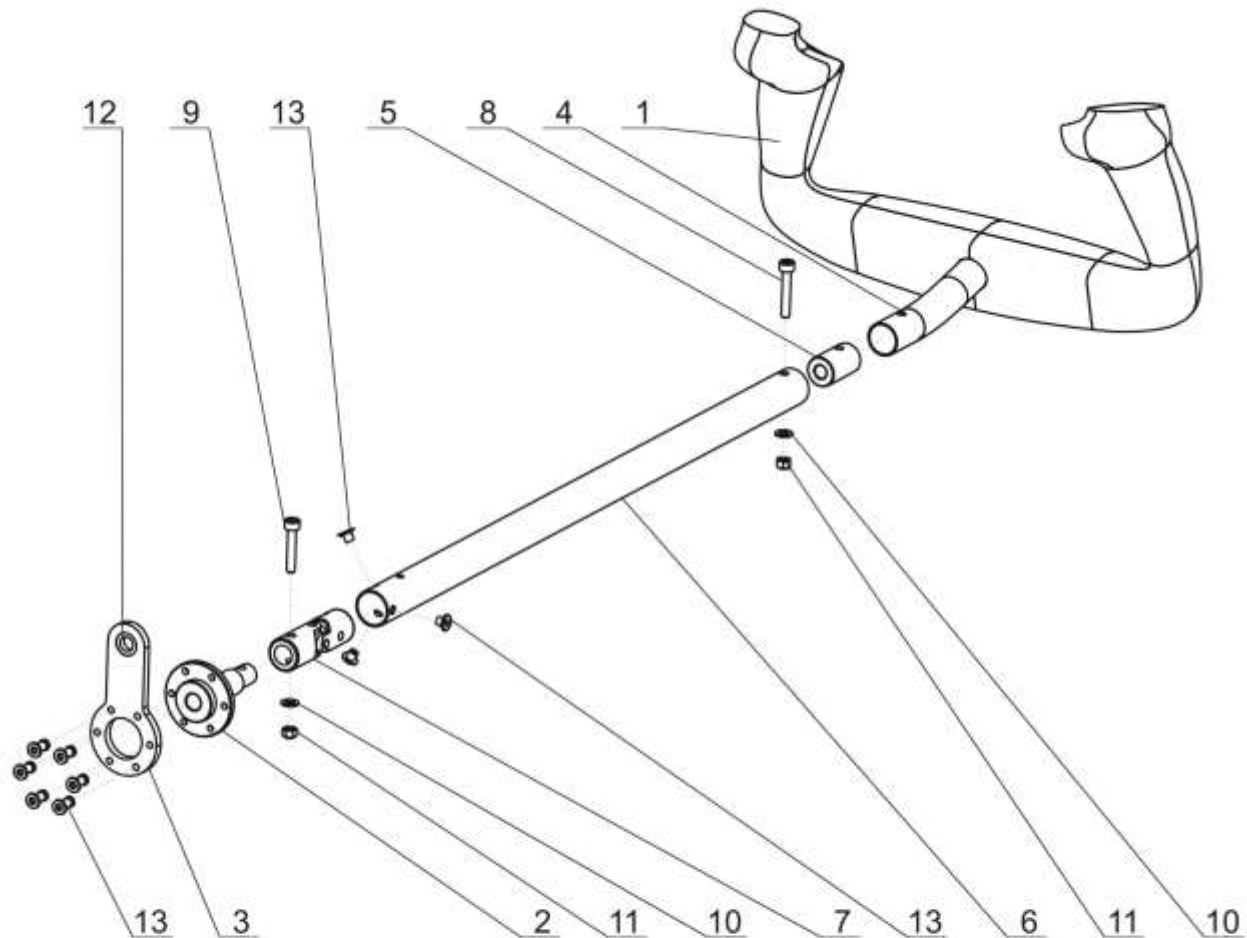
|                                                                                     |                     |                        |                                |
|-------------------------------------------------------------------------------------|---------------------|------------------------|--------------------------------|
|  | Material / materiál | Part name / název      |                                |
|                                                                                     |                     | Front pullrod assembly |                                |
| Name of designer / navrhl                                                           | Ing Martin Zahálka  | Weight / hmotnost      | kg                             |
| Date of issue / datum vydání                                                        | 26.2.2010           | Page / list            | 1 / 1                          |
| Revision / změna                                                                    |                     | Scale / měřítko        | Drawing number / číslo výkresu |
| Date of revision / datum změny                                                      |                     | S514_000_00-1          |                                |
| Pcs. / kusů                                                                         | 1                   |                        |                                |




|             |                             |                           |                                |
|-------------|-----------------------------|---------------------------|--------------------------------|
| 6           | Rivet Fe Ø 5 x 14           |                           | DIN 7337                       |
| 5           | Bearing 6                   |                           | ČSN 02 3512                    |
| 4           | Ball bearing                |                           | 626ZZ                          |
| 3           | Bearing house - 1           |                           | s590_100_00-1                  |
| 2           | Elevator control spacer - C |                           | s515_200_00-1                  |
| 1           | Rear control lever          |                           | s515_100_00-1                  |
| Pos. / poz. | Assembly / sestava          | Sub assembly / podsestava | Drawing number / číslo výkresu |

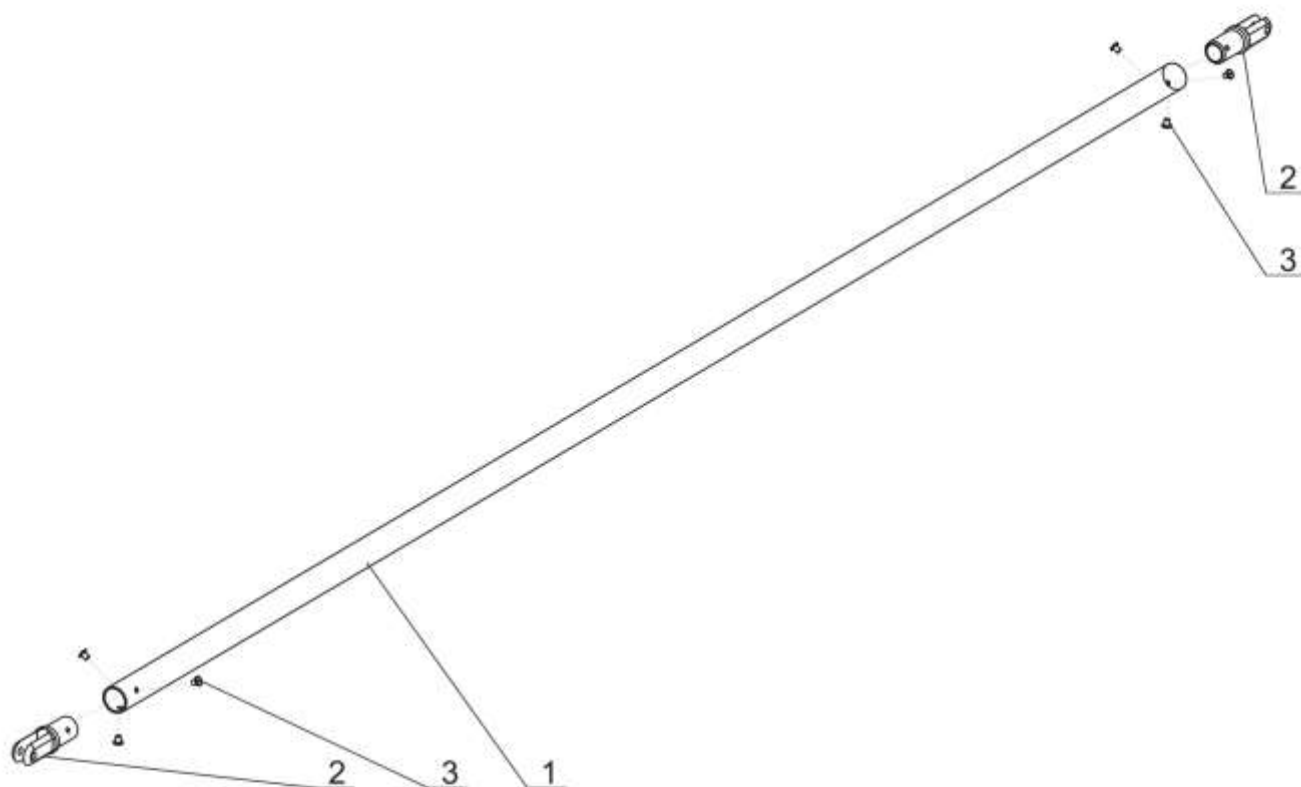
|                                                                                     |                     |                             |                                |
|-------------------------------------------------------------------------------------|---------------------|-----------------------------|--------------------------------|
|  | Material / materiál | Part name / název           |                                |
|                                                                                     |                     | Rear control lever assembly |                                |
| Name of designer / navrh                                                            | Ing Martin Zahálka  | Weight / hmotnost           | kg                             |
| Date of issue / datum vydání                                                        | 26.2.2010           | Page / list                 | 1/1                            |
| Revision / změna                                                                    |                     | Scale / měřítko             | Drawing number / číslo výkresu |
| Date of revision / datum změny                                                      |                     | S515_000_00-1               |                                |
| Pcs. / kusů                                                                         | 1                   |                             |                                |






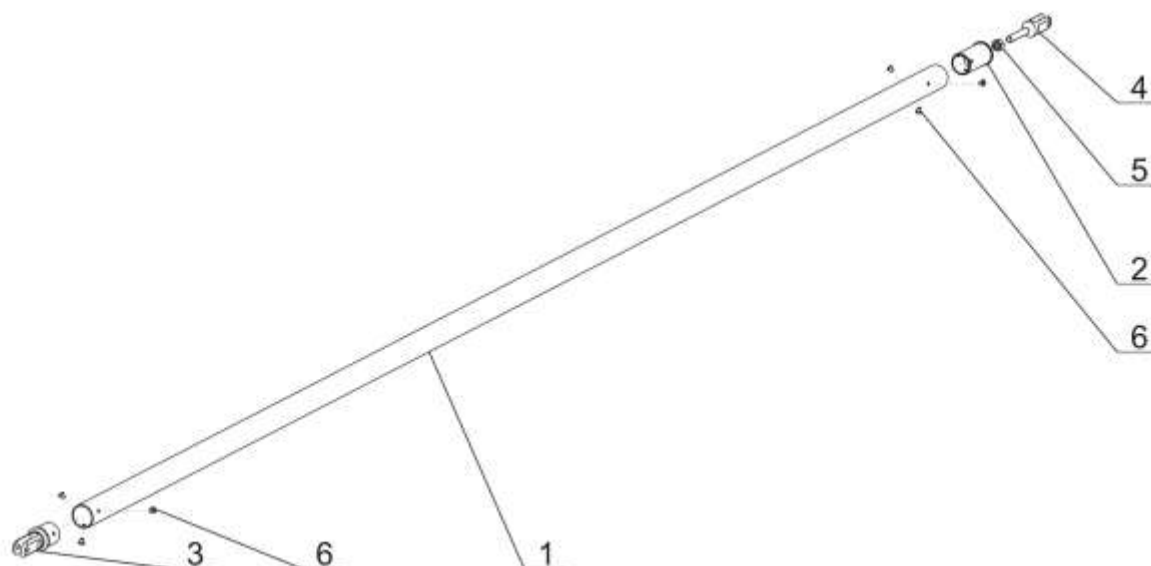
|             |                           |                           |                                |
|-------------|---------------------------|---------------------------|--------------------------------|
| 13          | Rivet Fe Ø 5              |                           | DIN 7337                       |
| 12          | Bearing 6                 |                           | ČSN 02 3512                    |
| 11          | Nut VM 5                  |                           | DIN 980                        |
| 10          | Washer M 6                |                           | ČSN 02 1721                    |
| 9           | Screw M5 x 27             |                           | DIN 912                        |
| 8           | Screw M5 x 30             |                           | DIN 912                        |
| 7           | Universal joint           |                           | KE 63002000                    |
| 6           | Steering pullrod          |                           | TR 22x1 - 460 (42 4201.61)     |
| 5           | T-joint insert            |                           | s516_500_00-1                  |
| 4           | T-joint of yoke steering  |                           | s516_400_00-1                  |
| 3           | Yoke assem. control lever |                           | s516_300_00-1                  |
| 2           | Yoke control house        |                           | s516_200_00-1                  |
| 1           | Steering yoke             |                           | s516_100_00-1                  |
| Pos. / poz. | Assembly / sestava        | Sub assembly / podsestava | Drawing number / číslo výkresu |

|                                                                                     |                     |                               |                                |
|-------------------------------------------------------------------------------------|---------------------|-------------------------------|--------------------------------|
|  | Material / materiál | Part name / název             |                                |
|                                                                                     |                     | <b>Steering yoke assembly</b> |                                |
| Name of designer / návrh                                                            | Ing Martin Zahálka  | Weight / hmotnost             | kg                             |
| Date of issue / datum vydání                                                        | 26.2.2010           | Page / list                   | 1 / 1                          |
| Revision / změna                                                                    |                     | Scale / měřítko               | Drawing number / číslo výkresu |
| Date of revision / datum změny                                                      |                     | <b>S516_000_00-1</b>          |                                |
| Pcs. / kusů                                                                         | 2                   |                               |                                |




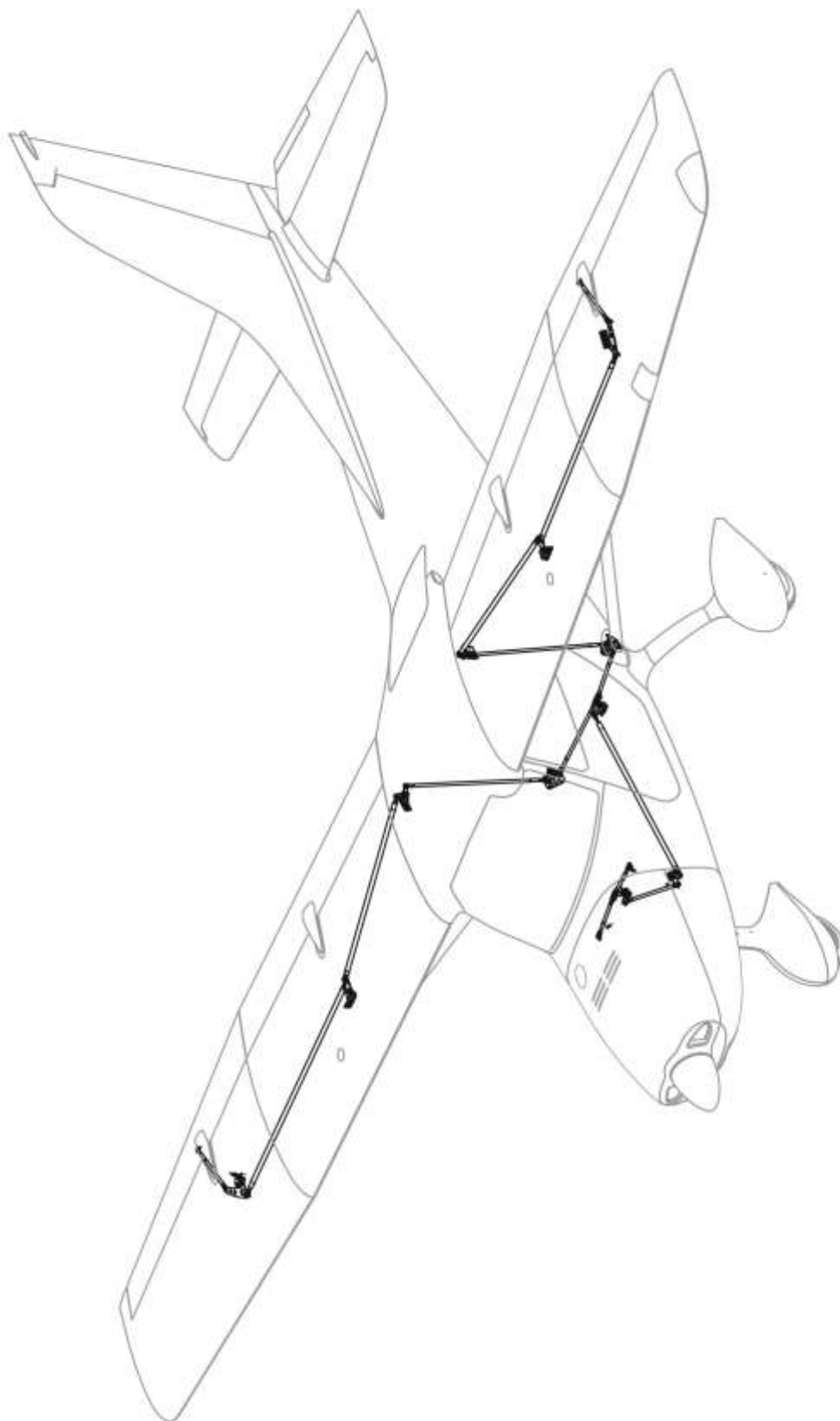
|             |                     |                           |                                |
|-------------|---------------------|---------------------------|--------------------------------|
| 3           | Rivet Fe Ø 4x12     |                           | DIN 7337                       |
| 2           | Solid fork 22 - 1,5 |                           | s590_400_00-1                  |
| 1           | Middle pullrod      |                           | TR 22x1,5-1504 (42 4201.61)    |
| Pos. / poz. | Assembly / sestava  | Sub assembly / podsestava | Drawing number / číslo výkresu |


|                                                                                     |                     |                         |                                |
|-------------------------------------------------------------------------------------|---------------------|-------------------------|--------------------------------|
|  | Material / materiál | Part name / název       |                                |
|                                                                                     | -                   | Middle pullrod assembly |                                |
| Name of designer / navrh                                                            | Ing Martin Zahálka  | Weight / hmotnost       | kg                             |
| Date of issue / datum vydání                                                        | 26.2.2010           | Page / list             | 1 / 1                          |
| Revision / změna                                                                    |                     | Scale / měřítko         | Drawing number / číslo výkresu |
| Date of revision / datum změny                                                      |                     |                         | S517_000_00-1                  |
| Pcs. / kusů                                                                         | 1                   |                         |                                |

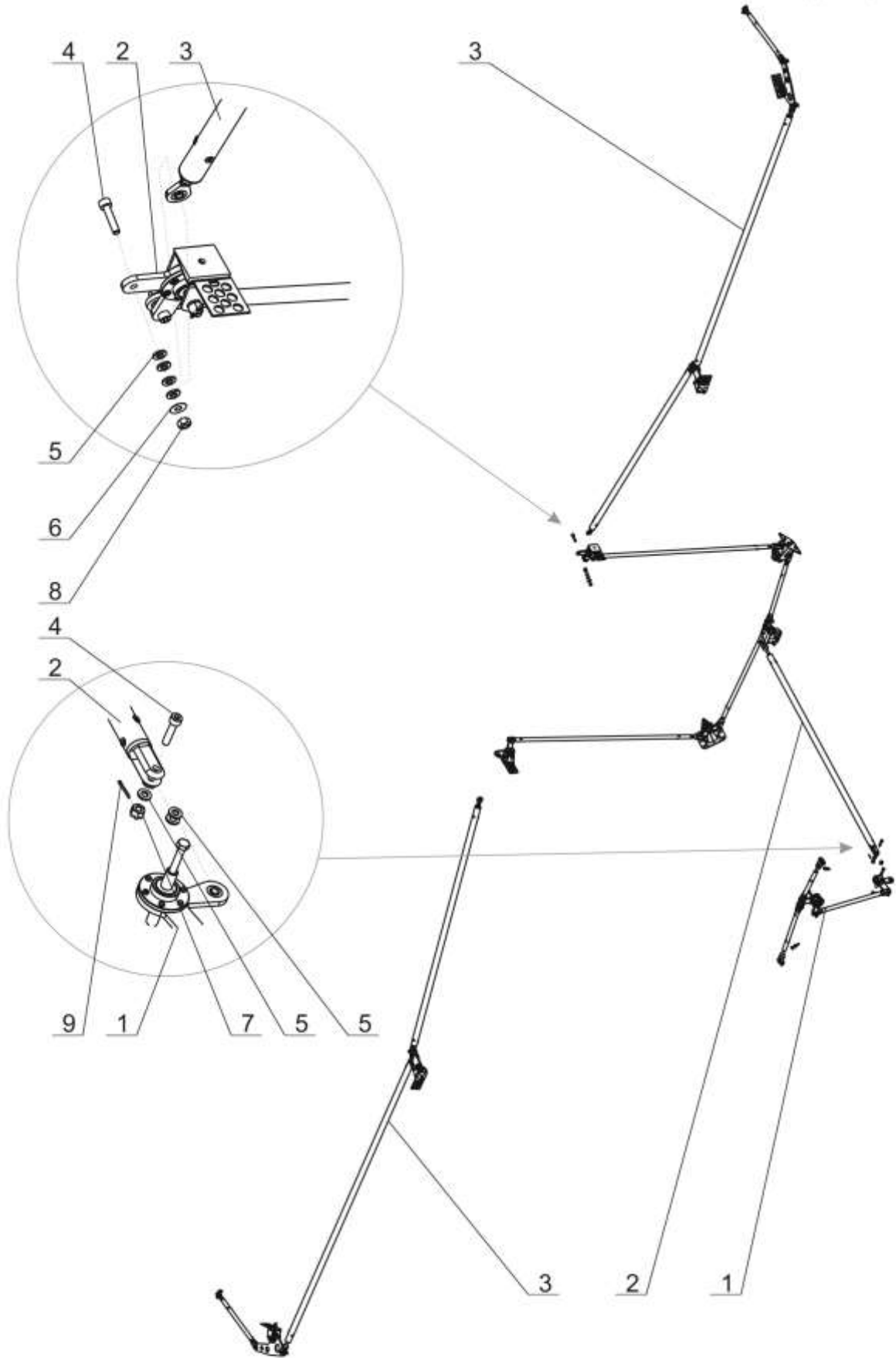



|             |                        |                           |                                |
|-------------|------------------------|---------------------------|--------------------------------|
| 6           | Rivet Fe Ø 4x12        |                           | DIN 7337                       |
| 5           | Nut M 8                |                           | ISO 4032                       |
| 4           | Adjustable fork M 8    |                           | s590_700_00-1                  |
| 3           | Solid fork 30 - 1,5    |                           | s590_600_00-1                  |
| 2           | Thread insert 30 - 1,5 |                           | s590_500_00-1                  |
| 1           | Rear pullrod           |                           | TR 30x1,5 -2040(42 4201.61)    |
| Pos. / poz. | Assembly / sestava     | Sub assembly / podsestava | Drawing number / číslo výkresu |

|                                                                                     |                     |                       |                                |
|-------------------------------------------------------------------------------------|---------------------|-----------------------|--------------------------------|
|  | Material / materiál | Part name / název     |                                |
|                                                                                     |                     | Rear pullrod assembly |                                |
| Name of designer / navrh                                                            | Ing Martin Zahálka  | Weight / hmotnost     | kg                             |
| Date of issue / datum vydání                                                        | 26.2.2010           | Page / list           | 1 / 1                          |
| Revision / změna                                                                    |                     | Scale / měřítko       | Drawing number / číslo výkresu |
| Date of revision / datum změny                                                      |                     |                       | S518_000_00-1                  |
| Pcs. / kusů                                                                         | 1                   |                       |                                |




|                                                                                     |                     |                   |                                |                   |
|-------------------------------------------------------------------------------------|---------------------|-------------------|--------------------------------|-------------------|
|  | Material / materiál | Part name / název |                                |                   |
|                                                                                     | -                   | Ailerons control  |                                |                   |
| Name of designer / navrh                                                            | Ing Martin Zahálka  | Weight / hmotnost | kg                             | Page / list 1 / 3 |
| Date of issue / datum vydání                                                        | 26.2.2010           | Scale / měřítko   | Drawing number / číslo výkresu |                   |
| Revision / změna                                                                    |                     | S520_000_00-1     |                                |                   |
| Date of revision / datum změny                                                      |                     |                   |                                |                   |
| Pcs. / kusů                                                                         | 1                   |                   |                                |                   |

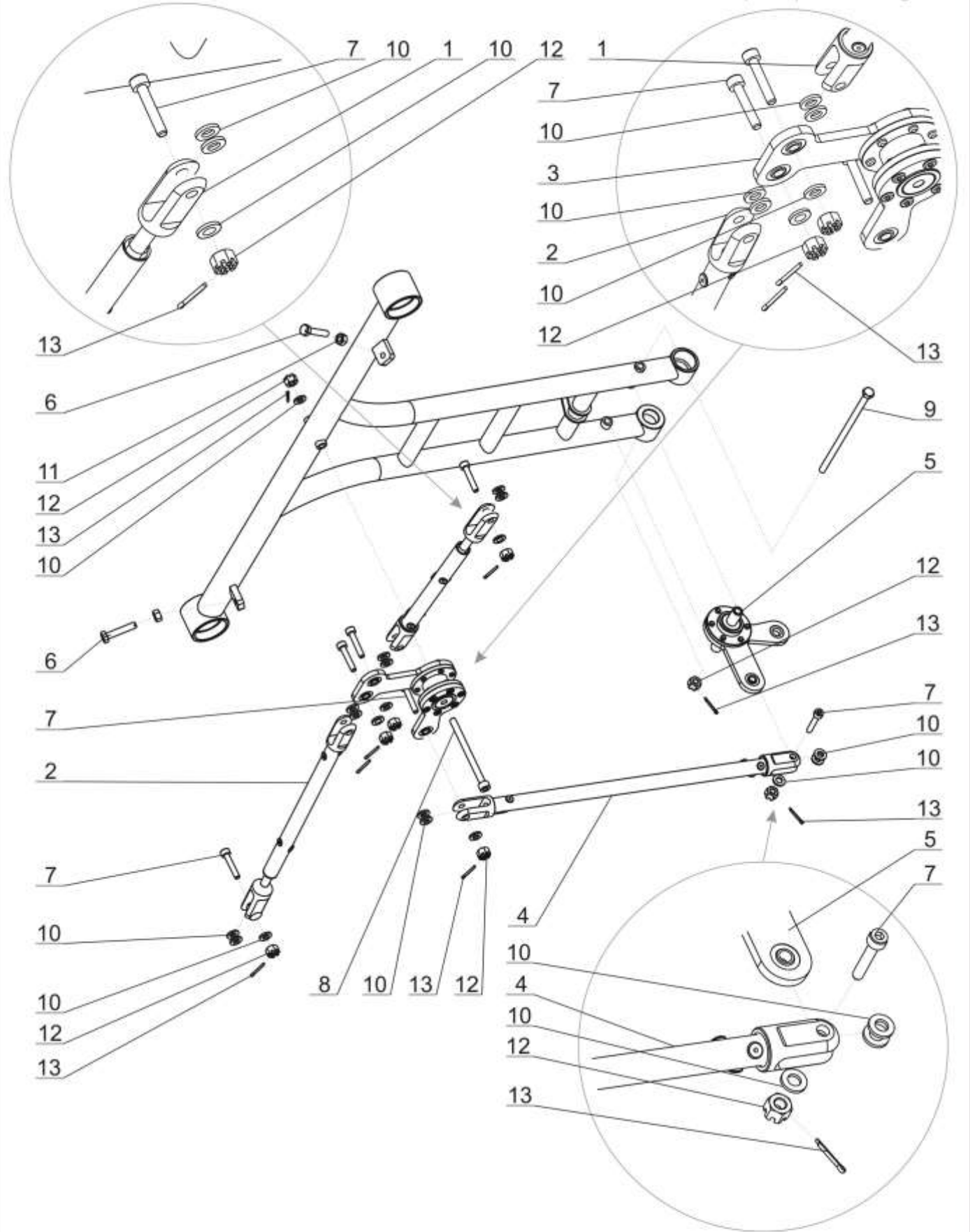



|                                                                                     |                          |                    |  |                 |                                |    |                  |               |
|-------------------------------------------------------------------------------------|--------------------------|--------------------|--|-----------------|--------------------------------|----|------------------|---------------|
|  | Material / materiál      | -                  |  |                 | Part name / název              |    | Ailerons control |               |
|                                                                                     | Name of designer / navrh | Ing Martin Zahálka |  |                 | Weight / hmotnost              | kg | Page / list      | 2 / 3         |
| Date of issue / datum vydání                                                        | 26.2.2010                |                    |  | Scale / měřítko | Drawing number / číslo výkresu |    |                  | S520_000_00-1 |
| Revision / změna                                                                    |                          |                    |  |                 |                                |    |                  |               |
| Date of revision / datum změny                                                      |                          |                    |  |                 |                                |    |                  |               |
| Pcs. / kusů                                                                         | 1                        |                    |  |                 |                                |    |                  |               |

|             |                             |                           |                                |
|-------------|-----------------------------|---------------------------|--------------------------------|
| 9           | Cotter pin 1,6              |                           | ČSN 02 1781                    |
| 8           | Nut VM 6                    |                           | DIN 980                        |
| 7           | Castle nut M 6              |                           | ČSN 02 1411                    |
| 6           | Flex. washer 15x6,2x0,5     |                           | Fabory 36450156005             |
| 5           | Washer M6                   |                           | ČSN 02 1721                    |
| 4           | Screw M6 x 27               |                           | DIN 912                        |
| 3           | Wing ailerons control       |                           | s523_000_00-1                  |
| 2           | Fuselage ailerons control   |                           | s522_000_00-1                  |
| 1           | Yoke lever ailerons control |                           | s521_000_00-1                  |
| Pos. / poz. | Assembly / sestava          | Sub assembly / podsestava | Drawing number / číslo výkresu |


|                                                                                     |                     |                   |                                |
|-------------------------------------------------------------------------------------|---------------------|-------------------|--------------------------------|
|  | Material / materiál | Part name / název |                                |
|                                                                                     | -                   | Ailerons control  |                                |
| Name of designer / navrhl                                                           | Ing Martin Zahálka  | Weight / hmotnost | kg                             |
| Date of issue / datum vydání                                                        | 26.2.2010           | Page / list       | 3 / 3                          |
| Revision / změna                                                                    |                     | Scale / měřítko   | Drawing number / číslo výkresu |
| Date of revision / datum změny                                                      |                     |                   | S520_000_00-1                  |
| Pcs. / kusů                                                                         | 1                   |                   |                                |

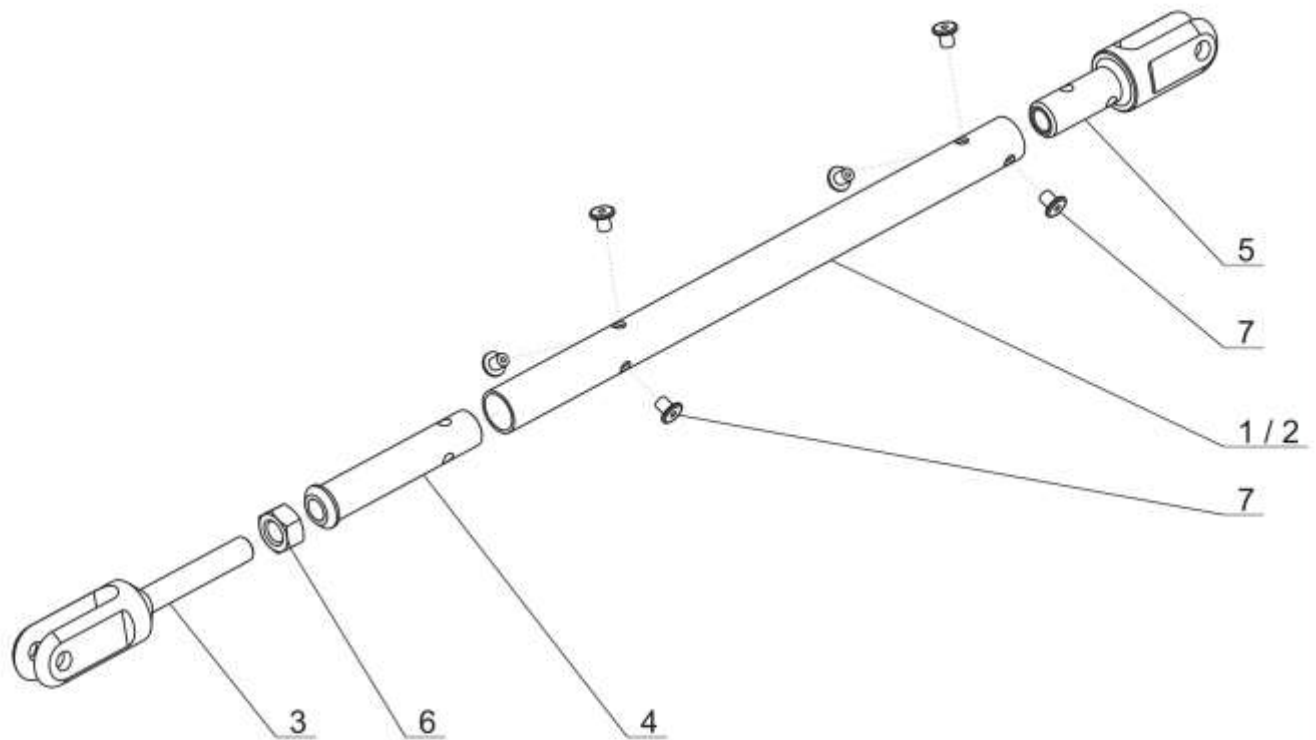





|                                                                                     |                     |                                    |                                |             |
|-------------------------------------------------------------------------------------|---------------------|------------------------------------|--------------------------------|-------------|
|  | Material / materiál | Part name / název                  |                                |             |
|                                                                                     |                     | <b>Yoke lever ailerons control</b> |                                |             |
| Name of designer / navrh                                                            | Ing Martin Zahálka  | Weight / hmotnost                  | kg                             | Page / list |
| Date of issue / datum vydání                                                        | 26.2.2010           | Scale / měřítko                    | Drawing number / číslo výkresu |             |
| Revision / změna                                                                    |                     | <b>S521_000_00-1</b>               |                                |             |
| Date of revision / datum změny                                                      |                     |                                    |                                |             |
| Pcs. / kusů                                                                         | 1                   |                                    |                                |             |

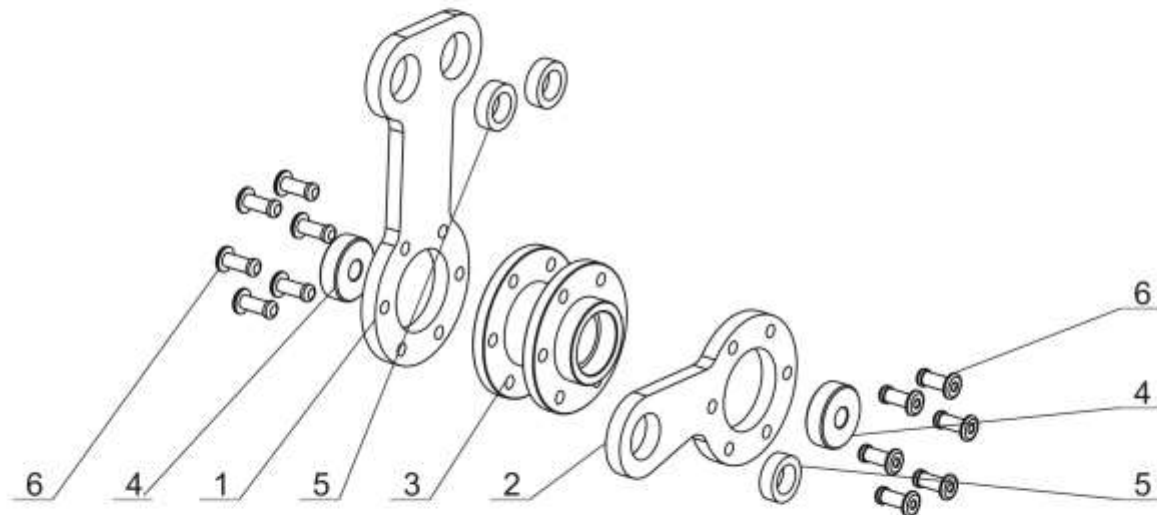
|             |                             |                           |                                |
|-------------|-----------------------------|---------------------------|--------------------------------|
| 13          | Cotter pin 1,6              |                           | ČSN 02 1781                    |
| 12          | Castle nut M 6              |                           | ČSN 02 1411                    |
| 11          | Nut M 6                     |                           | ISO 4032                       |
| 10          | Washer M6                   |                           | ČSN 02 1721                    |
| 9           | Screw M6 x 128              |                           | ISO 4016                       |
| 8           | Screw M6 x 75               |                           | DIN 912                        |
| 7           | Screw M6 x 27               |                           | DIN 912                        |
| 6           | Ailerons control stopscrew  |                           | s521_600_00-1                  |
| 5           | Bottom lever assembly       |                           | s521_500_00-1                  |
| 4           | Vert. pullrod on yoke lever |                           | s521_400_00-1                  |
| 3           | Upper lever assembly        |                           | s521_300_00-1                  |
| 2           | Long horiz. pullrod assem.  |                           | s521_200_00-1                  |
| 1           | Short horiz. pullrod assem. |                           | s521_100_00-1                  |
| Pos. / poz. | Assembly / sestava          | Sub assembly / podsestava | Drawing number / číslo výkresu |

|                                                                                     |                     |                             |                                |
|-------------------------------------------------------------------------------------|---------------------|-----------------------------|--------------------------------|
|  | Material / materiál | Part name / název           |                                |
|                                                                                     |                     | Yoke lever ailerons control |                                |
| Name of designer / navrhl                                                           | Ing Martin Zahálka  | Weight / hmotnost           | kg                             |
| Date of issue / datum vydání                                                        | 26.2.2010           | Page / list                 | 2 / 2                          |
| Revision / změna                                                                    |                     | Scale / měřítko             | Drawing number / číslo výkresu |
| Date of revision / datum změny                                                      |                     |                             | S521_000_00-1                  |
| Pcs. / kusů                                                                         | 1                   |                             |                                |




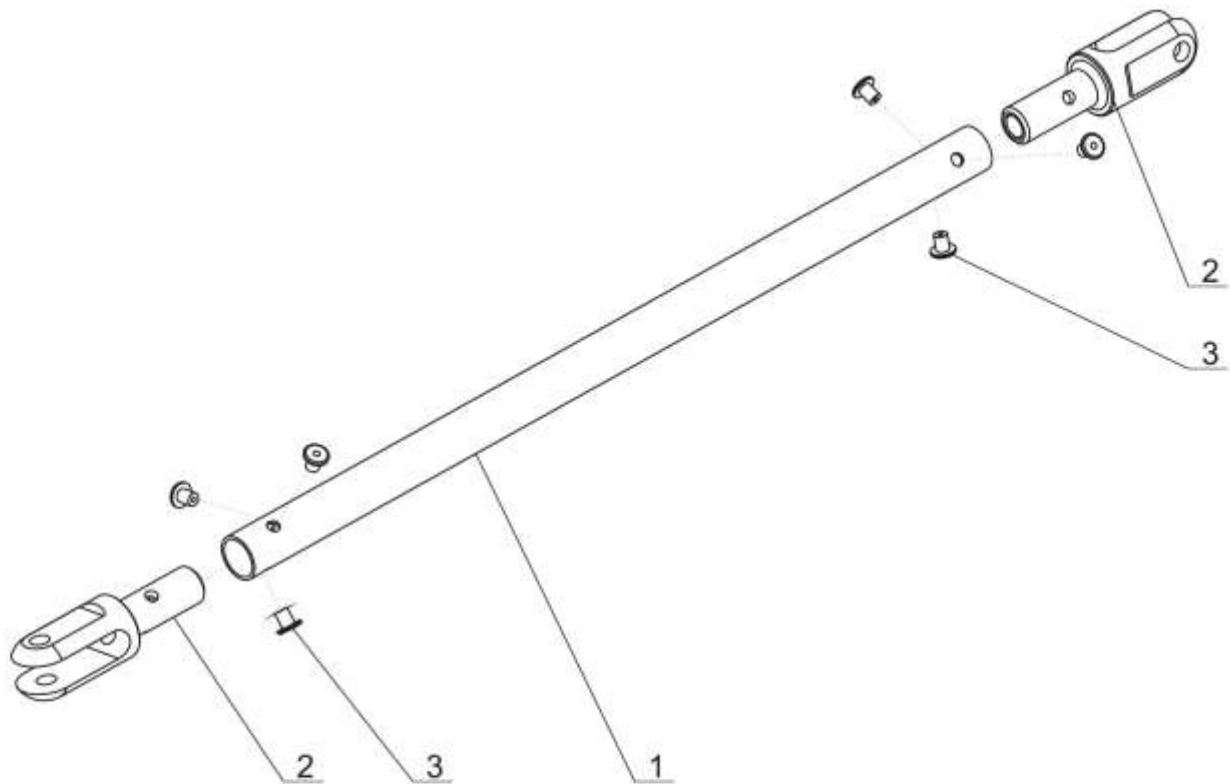
|             |                          |                           |                                |
|-------------|--------------------------|---------------------------|--------------------------------|
| 7           | Rivet Fe Ø 4x12          |                           | DIN 7337                       |
| 6           | Nut M 8                  |                           | ISO 4032                       |
| 5           | Solid fork 14 - 1        |                           | s590_900_00-1                  |
| 4           | Thread insert 14 - 1     |                           | s590_800_00-1                  |
| 3           | Adjustable fork M 8      |                           | s590_700_00-1                  |
| 2           | Long horizontal pullrod  |                           | TR 14x1 - 215 (42 4201.61)     |
| 1           | Short horizontal pullrod |                           | TR 14x1 - 135 (42 4201.61)     |
| Pos. / poz. | Assembly / sestava       | Sub assembly / podsestava | Drawing number / číslo výkresu |

|                                                                                     |                     |                                                                       |                                |
|-------------------------------------------------------------------------------------|---------------------|-----------------------------------------------------------------------|--------------------------------|
|  | Material / materiál | Part name / název                                                     |                                |
|                                                                                     |                     | Short horizontal pullrod assembly<br>Long horizontal pullrod assembly |                                |
| Name of designer / navrhl                                                           | Ing Martin Zahálka  | Weight / hmotnost                                                     | kg                             |
| Date of issue / datum vydání                                                        | 26.2.2010           | Page / list                                                           | 1 / 1                          |
| Revision / změna                                                                    |                     | Scale / měřítko                                                       | Drawing number / číslo výkresu |
| Date of revision / datum změny                                                      |                     |                                                                       | S521_100_00-1                  |
| Pcs. / kusů                                                                         | 1                   |                                                                       | S521_200_00-1                  |




|             |                    |                           |                                |
|-------------|--------------------|---------------------------|--------------------------------|
| 6           | Rivet Fe Ø 5 x 14  |                           | DIN 7337                       |
| 5           | Bearing 6          |                           | ČSN 02 3512                    |
| 4           | Ball bearing       |                           | 626ZZ                          |
| 3           | Upper lever house  |                           | s521_330_00-1                  |
| 2           | Small lever        |                           | s521_320_00-1                  |
| 1           | Big lever          |                           | s521_310_00-1                  |
| Pos. / poz. | Assembly / sestava | Sub assembly / podsestava | Drawing number / číslo výkresu |

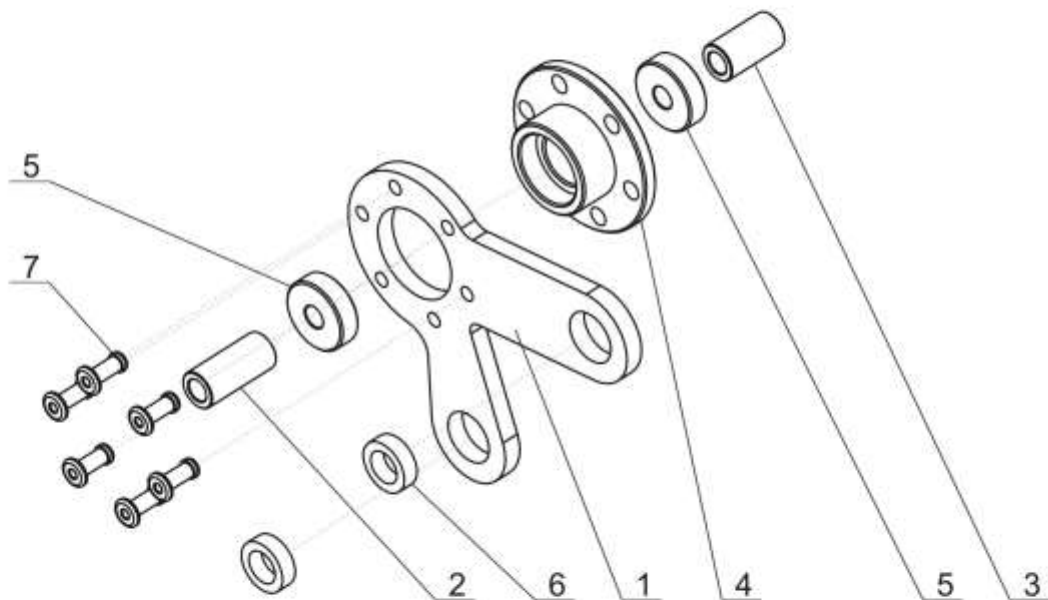
|                                                                                     |                     |                      |                                |
|-------------------------------------------------------------------------------------|---------------------|----------------------|--------------------------------|
|  | Material / materiál | Part name / název    |                                |
|                                                                                     |                     | Upper lever assembly |                                |
| Name of designer / navrh                                                            | Ing Martin Zahálka  | Weight / hmotnost    | kg                             |
| Date of issue / datum vydání                                                        | 26.2.2010           | Page / list          | 1/1                            |
| Revision / změna                                                                    |                     | Scale / měřítko      | Drawing number / číslo výkresu |
| Date of revision / datum změny                                                      |                     |                      | S521_300_00-1                  |
| Pcs. / kusů                                                                         | 1                   |                      |                                |




|             |                    |                           |                                |
|-------------|--------------------|---------------------------|--------------------------------|
| 3           | Rivet Fe Ø 4x12    |                           | DIN 7337                       |
| 2           | Solid fork 14 - 1  |                           | s590_900_00-1                  |
| 1           | Vertical pullrod   |                           | TR 14x1 - 300 (42 4201.61)     |
| Pos. / poz. | Assembly / sestava | Sub assembly / podsestava | Drawing number / číslo výkresu |

|                                                                                     |                     |                                |                                |
|-------------------------------------------------------------------------------------|---------------------|--------------------------------|--------------------------------|
|  | Material / materiál | Part name / název              |                                |
|                                                                                     | -                   | Vertical pullrod on yoke lever |                                |
| Name of designer / návrh                                                            | Ing Martin Zahálka  | Weight / hmotnost              | kg                             |
| Date of issue / datum vydání                                                        | 26.2.2010           | Page / list                    | 1 / 1                          |
| Revision / změna                                                                    |                     | Scale / měřítko                | Drawing number / číslo výkresu |
| Date of revision / datum změny                                                      |                     |                                | S521_400_00-1                  |
| Pcs. / kusů                                                                         | 1                   |                                |                                |

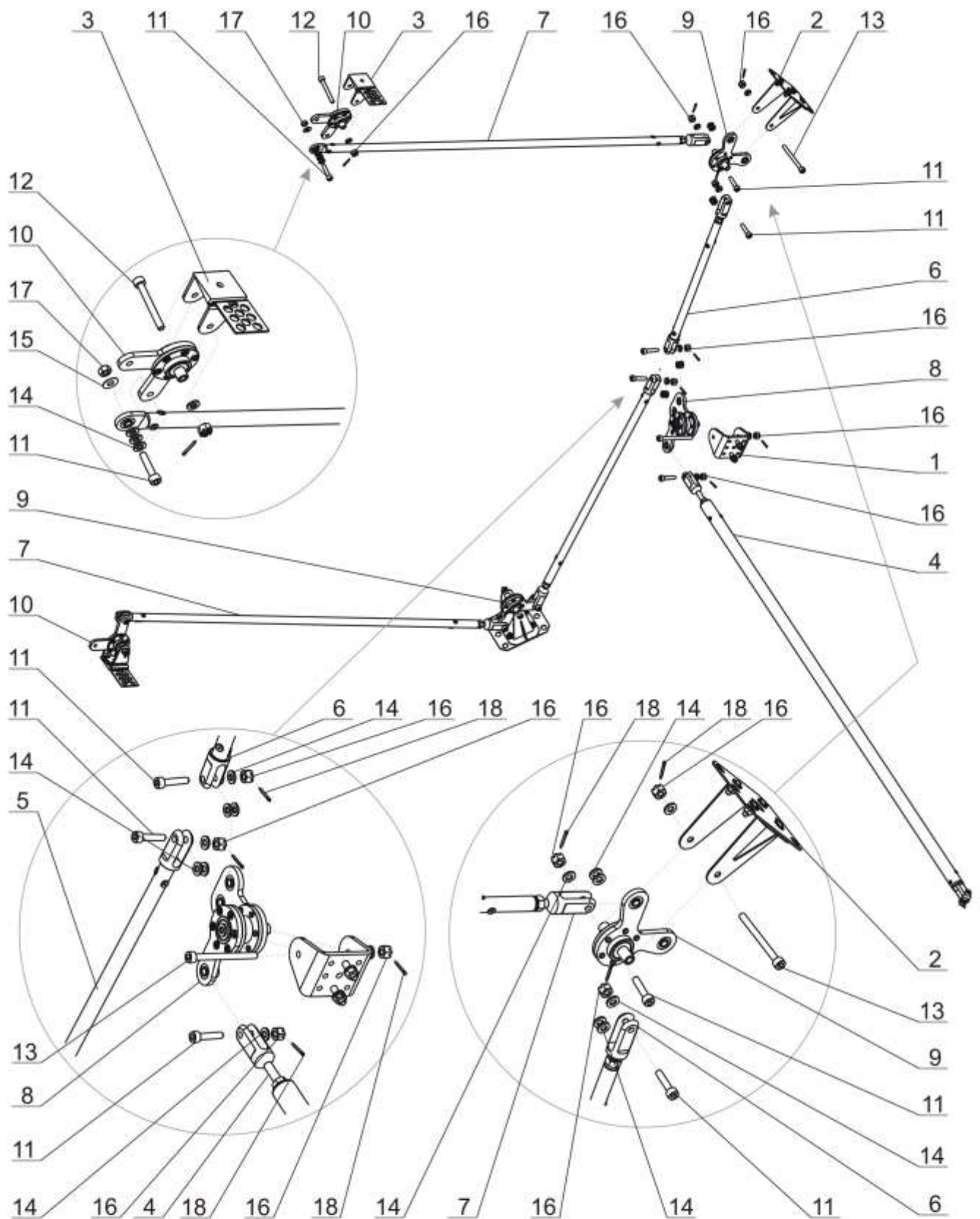





|             |                             |                           |                                |
|-------------|-----------------------------|---------------------------|--------------------------------|
| 7           | Rivet Fe Ø 5 x 14           |                           | DIN 7337                       |
| 6           | Bearing 6                   |                           | ČSN 02 3512                    |
| 5           | Ball bearing                |                           | 626ZZ                          |
| 4           | Bearing house - 1           |                           | s590_100_00-1                  |
| 3           | Ailerons control spacer - B |                           | s521_530_00-1                  |
| 2           | Ailerons control spacer - A |                           | s521_520_00-1                  |
| 1           | Bottom lever                |                           | s521_510_00-1                  |
| Pos. / poz. | Assembly / sestava          | Sub assembly / podsestava | Drawing number / číslo výkresu |


|                                                                                     |                     |                              |                                |
|-------------------------------------------------------------------------------------|---------------------|------------------------------|--------------------------------|
|  | Material / materiál | Part name / název            |                                |
|                                                                                     |                     | <b>Bottom lever assembly</b> |                                |
| Name of designer / navrh                                                            | Ing Martin Zahálka  | Weight / hmotnost            | kg                             |
| Date of issue / datum vydání                                                        | 26.2.2010           | Page / list                  | 1/1                            |
| Revision / změna                                                                    |                     | Scale / měřítko              | Drawing number / číslo výkresu |
| Date of revision / datum změny                                                      |                     |                              | <b>S521_500_00-1</b>           |
| Pcs. / kusů                                                                         | 1                   |                              |                                |

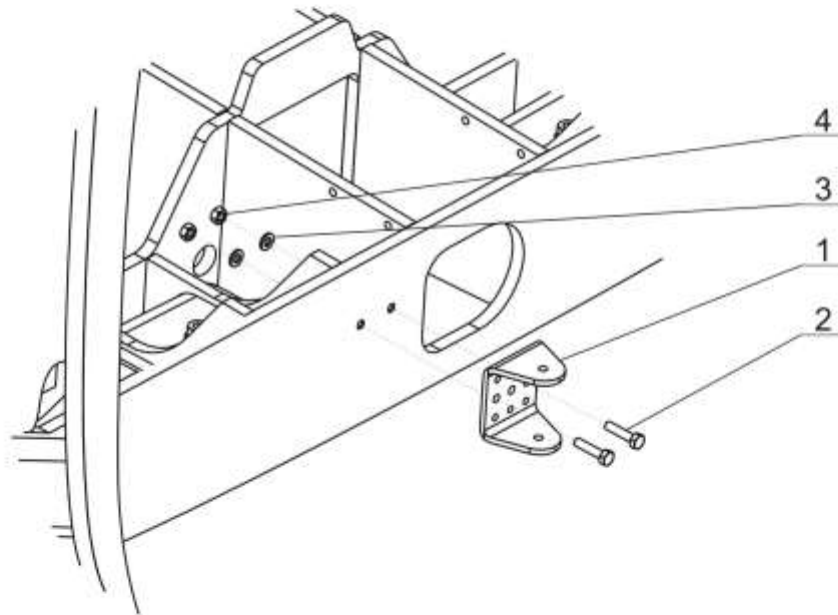





|                                                                                     |                     |                                  |                                |             |
|-------------------------------------------------------------------------------------|---------------------|----------------------------------|--------------------------------|-------------|
|  | Material / materiál | Part name / název                |                                |             |
|                                                                                     |                     | <b>Fuselage ailerons control</b> |                                |             |
| Name of designer / navrh                                                            | Ing Martin Zahálka  | Weight / hmotnost                | kg                             | Page / list |
| Date of issue / datum vydání                                                        | 26.2.2010           | Scale / měřítko                  | Drawing number / číslo výkresu |             |
| Revision / změna                                                                    |                     | <b>S522_000_00-1</b>             |                                |             |
| Date of revision / datum změny                                                      |                     |                                  |                                |             |
| Pcs. / kusů                                                                         | 1                   |                                  |                                |             |

|             |                               |                               |                                |
|-------------|-------------------------------|-------------------------------|--------------------------------|
| 18          | Cotter pin 1,6                |                               | ČSN 02 1781                    |
| 17          | Nut VM 6                      |                               | DIN 980                        |
| 16          | Castle nut M 6                |                               | ČSN 02 1411                    |
| 15          | Flex. washer 15x6,2x0,5       |                               | Fabory 36450156005             |
| 14          | Washer M6                     |                               | ČSN 02 1721                    |
| 13          | Screw M6 x 68                 |                               | DIN 912                        |
| 12          | Screw M6 x 50                 |                               | DIN 912                        |
| 11          | Screw M6 x 27                 |                               | DIN 912                        |
| 10          | Upper lever pillar assem.     |                               | s522_800_00-1                  |
| 9           | Bottom lever pillar assem.    |                               | s522_700_00-1                  |
| 8           | Lever ass. behind pilots      |                               | s522_600_00-1                  |
| 7           | Vert. pullrod ass. in pillar  |                               | s522_500_00-1                  |
| 6           | Left pullrod asse. beh. pil   |                               | s522_400_00-1                  |
| 5           | Right pullrod ass. beh. pil   |                               | s522_300_00-1                  |
| 4           | Ailer. c. front pullrod. ass. |                               | s522_200_00-1                  |
| 3           |                               | Upper ailer. control mount    | s522_130_00-1                  |
| 2           |                               | Bottom ailer. control mount   | s522_120_00-1                  |
| 1           |                               | Ailer. c. mount behind pilots | s522_110_00-1                  |
| -           | Fus. ailer. control mounts    |                               | s522_100_00-1                  |
| Pos. / poz. | Assembly / sestava            | Sub assembly / podsestava     | Drawing number / číslo výkresu |

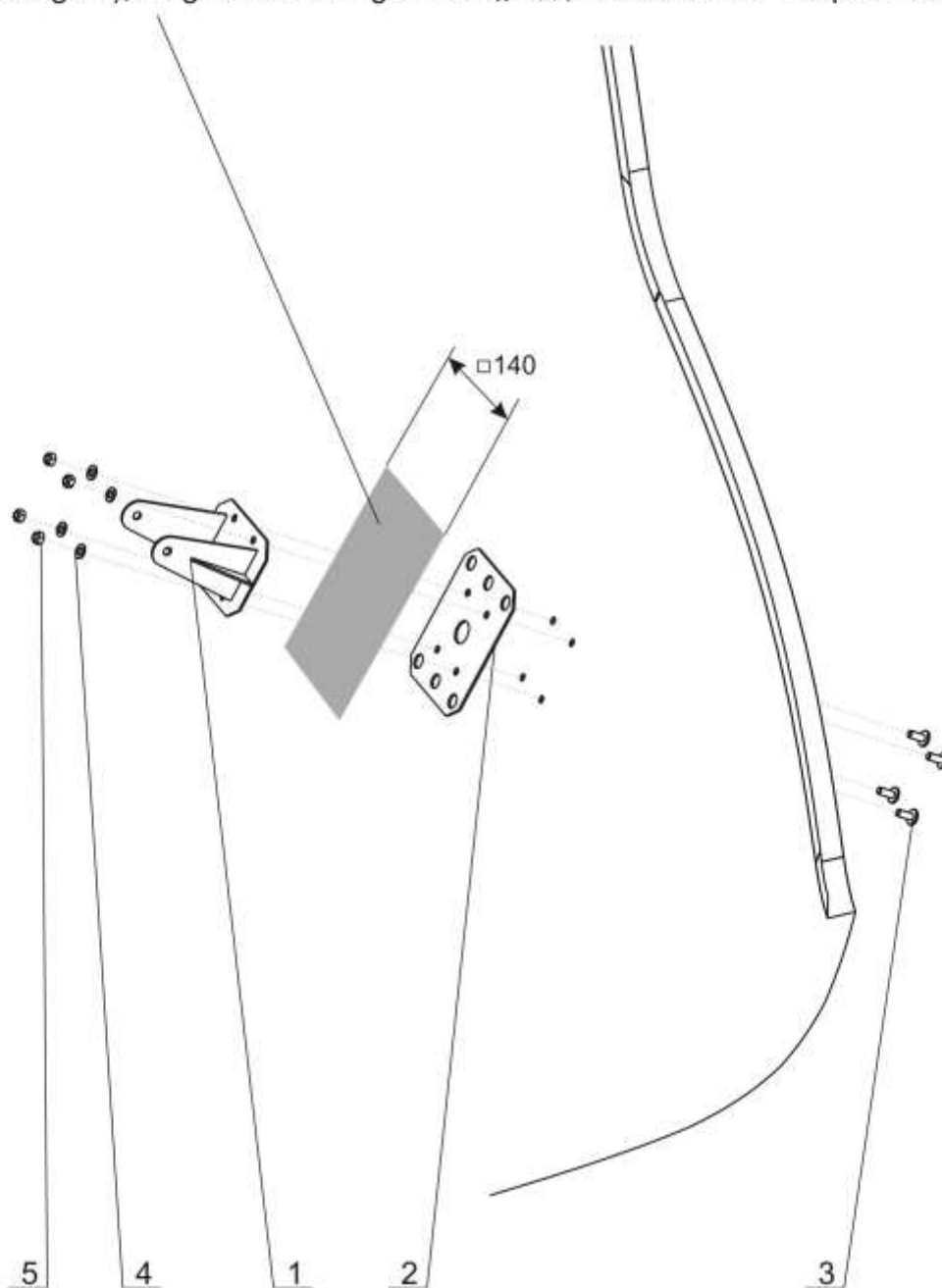
|                                                                                     |                     |                           |                                |
|-------------------------------------------------------------------------------------|---------------------|---------------------------|--------------------------------|
|  | Material / materiál | Part name / název         |                                |
|                                                                                     | -                   | Fuselage ailerons control |                                |
| Name of designer / navrh                                                            | Ing Martin Zahálka  | Weight / hmotnost         | kg                             |
| Date of issue / datum vydání                                                        | 26.2.2010           | Page / list               | 2 / 2                          |
| Revision / změna                                                                    |                     | Scale / měřítko           | Drawing number / číslo výkresu |
| Date of revision / datum změny                                                      |                     |                           | S522_000_00-1                  |
| Pcs. / kusů                                                                         | 1                   |                           |                                |




|             |                           |                           |                                |
|-------------|---------------------------|---------------------------|--------------------------------|
| 4           | Nut VM 6                  |                           | DIN 980                        |
| 3           | Washer M6                 |                           | ČSN 02 1721                    |
| 2           | Screw M6 x 25             |                           | ISO 4016                       |
| 1           | Flap drive "U" attachment |                           | s541_110_00-1                  |
| Pos. / poz. | Assembly / sestava        | Sub assembly / podsestava | Drawing number / číslo výkresu |

|                                                                                     |                     |                                      |                                |
|-------------------------------------------------------------------------------------|---------------------|--------------------------------------|--------------------------------|
|  | Material / materiál | Part name / název                    |                                |
|                                                                                     |                     | Ailerons control mount behind pilots |                                |
| Name of designer / návrh                                                            | Ing Martin Zahálka  | Weight / hmotnost                    | kg                             |
| Date of issue / datum vydání                                                        | 26.2.2010           | Page / list                          | 1 / 1                          |
| Revision / změna                                                                    |                     | Scale / měřítko                      | Drawing number / číslo výkresu |
| Date of revision / datum změny                                                      |                     |                                      | S522_110_00-1                  |
| Pcs. / kusů                                                                         | 1                   |                                      |                                |

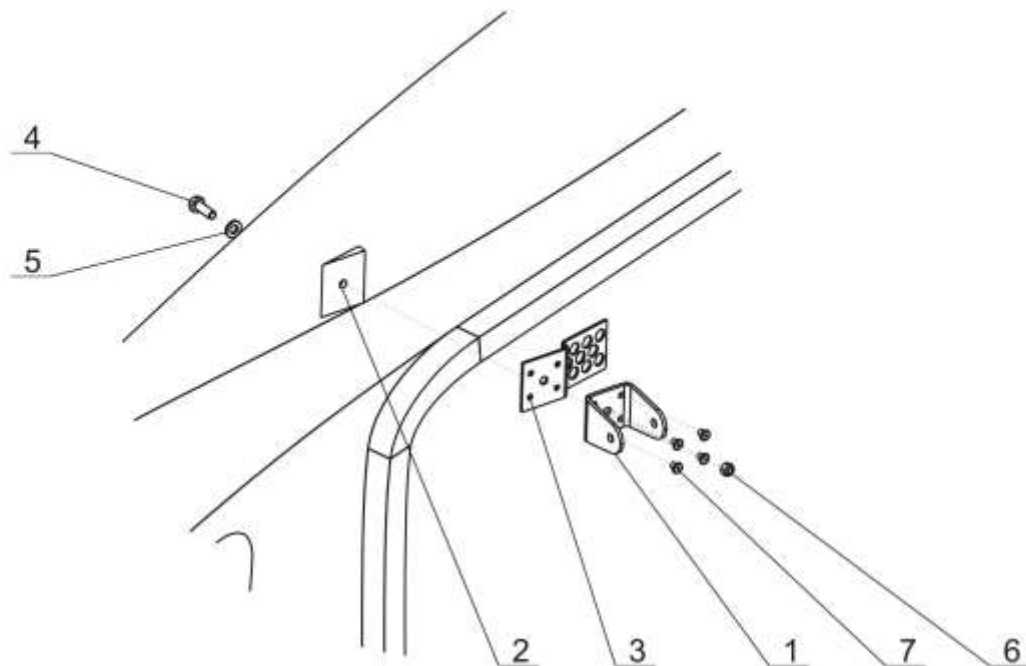
2 x 92 125 (286 g/m<sup>2</sup>), diagonal and lengthwise ✕ †, laminate over the pillar bottom attach. plate



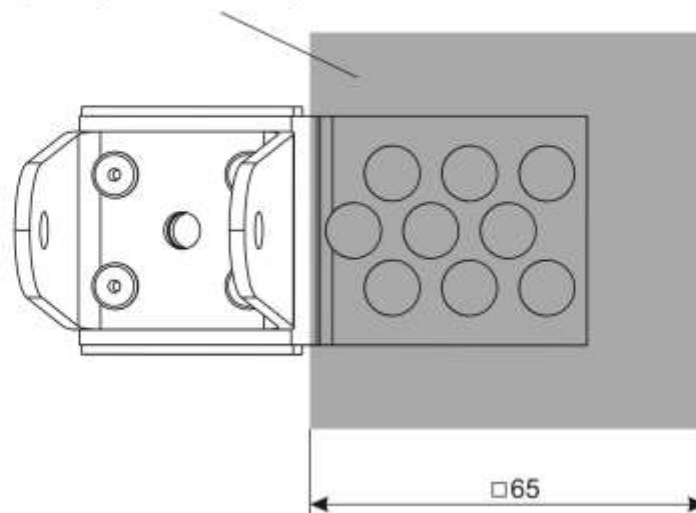
|             |                                 |                           |                                |
|-------------|---------------------------------|---------------------------|--------------------------------|
| 5           | Nut VM 5                        |                           | DIN 980                        |
| 4           | Washer M5                       |                           | ČSN 02 1721                    |
| 3           | Screw M5 x 12                   |                           | PN 02009                       |
| 2           | Pillar bottom attach. plate     |                           | s522_122_00-1                  |
| 1           | Ailer. cont. pillar "U" attach. |                           | s522_121_00-1                  |
| Pos. / poz. | Assembly / sestava              | Sub assembly / podsestava | Drawing number / číslo výkresu |

|                                                                                     |                     |                               |                                |
|-------------------------------------------------------------------------------------|---------------------|-------------------------------|--------------------------------|
|  | Material / materiál | Part name / název             |                                |
|                                                                                     |                     | Bottom ailerons control mount |                                |
| Name of designer / navrh                                                            | Ing Martin Zahálka  | Weight / hmotnost             | kg                             |
| Date of issue / datum vydání                                                        | 26.2.2010           | Page / list                   | 1 / 1                          |
| Revision / změna                                                                    |                     | Scale / měřítko               | Drawing number / číslo výkresu |
| Date of revision / datum změny                                                      |                     |                               | S522_120_00-1                  |
| Pcs. / kusů                                                                         | 2                   |                               |                                |




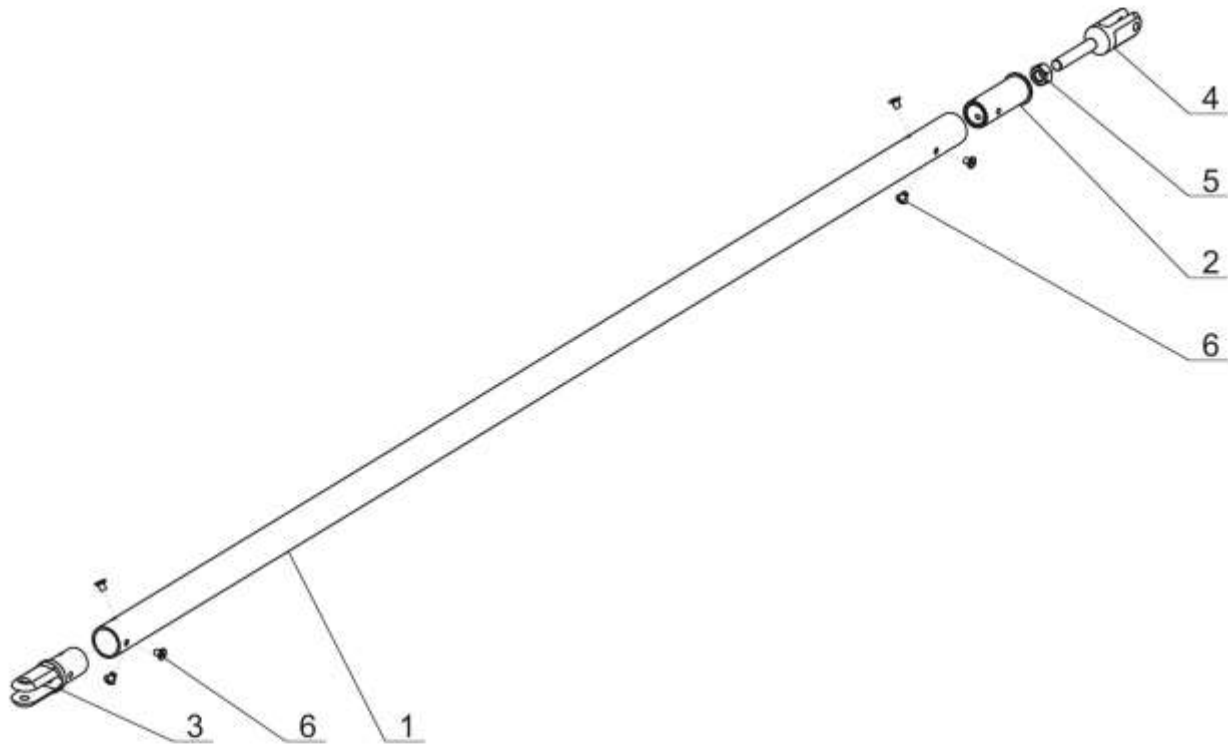


2 x 92 125 (286 g/m<sup>2</sup>), diagonal and lengthwise ✕ #, laminate over the plate into fuselage skin




|             |                            |                           |                                |
|-------------|----------------------------|---------------------------|--------------------------------|
| 7           | Rivet Fe Ø4                |                           | DIN 7337                       |
| 6           | Nut VM 6                   |                           | DIN 980                        |
| 5           | Washer M6                  |                           | ČSN 02 1721                    |
| 4           | Screw M6 x 16              |                           | ISO 4016                       |
| 3           | Pillar upper attach. plate |                           | s522_133_00-1                  |
| 2           | Wedge                      |                           | s522_132_00-1                  |
| 1           | Small "U" attachment       |                           | s522_131_00-1                  |
| Pos. / poz. | Assembly / sestava         | Sub assembly / podsestava | Drawing number / číslo výkresu |

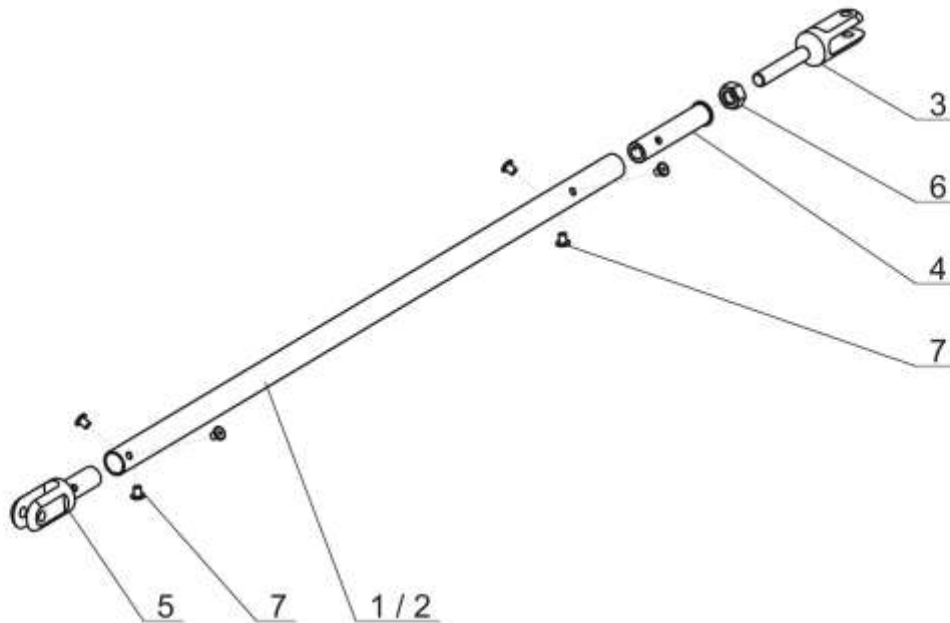
|                                                                                     |                     |                              |                                |
|-------------------------------------------------------------------------------------|---------------------|------------------------------|--------------------------------|
|  | Material / materiál | Part name / název            |                                |
|                                                                                     |                     | Upper ailerons control mount |                                |
| Name of designer / navrh                                                            | Ing Martin Zahálka  | Weight / hmotnost            | kg                             |
| Date of issue / datum vydání                                                        | 26.2.2010           | Page / list                  | 1 / 1                          |
| Revision / změna                                                                    |                     | Scale / měřítko              | Drawing number / číslo výkresu |
| Date of revision / datum změny                                                      |                     | S522_130_00-1                |                                |
| Pcs. / kusů                                                                         | 2                   |                              |                                |




|             |                              |                           |                                |
|-------------|------------------------------|---------------------------|--------------------------------|
| 6           | Rivet Fe Ø 4x12              |                           | DIN 7337                       |
| 5           | Nut M 8                      |                           | ISO 4032                       |
| 4           | Adjustable fork M 8          |                           | s590_700_00-1                  |
| 3           | Solid fork 22 - 1,5          |                           | s590_400_00-1                  |
| 2           | Thread insert 22 - 1,5       |                           | s590_200_00-1                  |
| 1           | Ailer. control front pullrod |                           | TR 22x1,5-1000 (42 4201.61)    |
| Pos. / poz. | Assembly / sestava           | Sub assembly / podsestava | Drawing number / číslo výkresu |

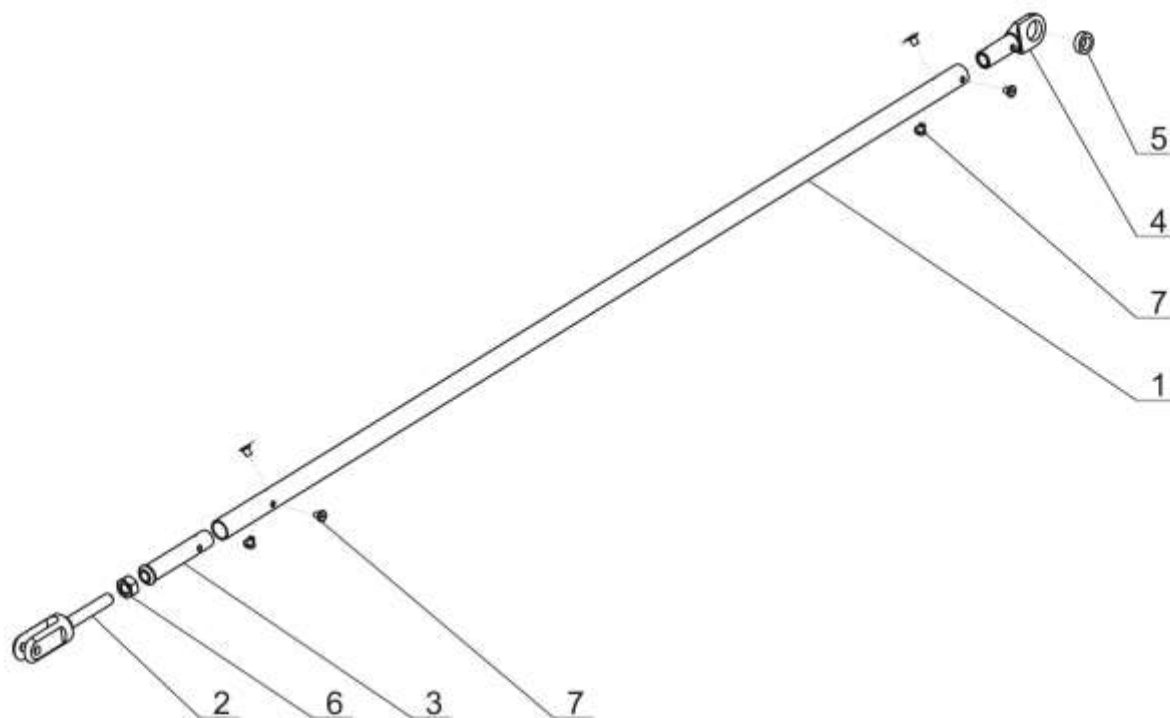
|                                                                                     |                     |                                         |                                |
|-------------------------------------------------------------------------------------|---------------------|-----------------------------------------|--------------------------------|
|  | Material / materiál | Part name / název                       |                                |
|                                                                                     | -                   | Ailerons control front pullrod assembly |                                |
| Name of designer / návrh                                                            | Ing Martin Zahálka  | Weight / hmotnost                       | kg                             |
| Date of issue / datum vydání                                                        | 26.2.2010           | Page / list                             | 1 / 1                          |
| Revision / změna                                                                    |                     | Scale / měřítko                         | Drawing number / číslo výkresu |
| Date of revision / datum změny                                                      |                     |                                         | S522_200_00-1                  |
| Pcs. / kusů                                                                         | 1                   |                                         |                                |






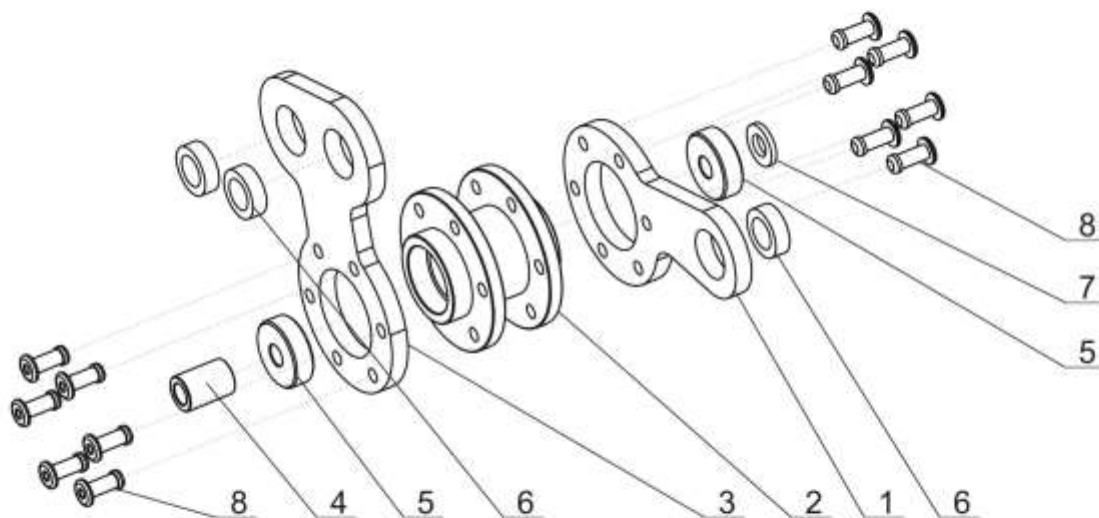
|             |                             |                           |                                |
|-------------|-----------------------------|---------------------------|--------------------------------|
| 7           | Rivet Fe Ø 4x12             |                           | DIN 7337                       |
| 6           | Nut M 8                     |                           | ISO 4032                       |
| 5           | Solid fork 14 - 1           |                           | s590_900_00-1                  |
| 4           | Thread insert 14 - 1        |                           | s590_800_00-1                  |
| 3           | Adjustable fork M 8         |                           | s590_700_00-1                  |
| 2           | Left pullrod behind pilots  |                           | TR 14x1-295 (42 4201.61)       |
| 1           | Right pullrod behind pilots |                           | TR 14x1-475 (42 4201.61)       |
| Pos. / poz. | Assembly / sestava          | Sub assembly / podsestava | Drawing number / číslo výkresu |

|                                                                                     |                     |                                                                             |                                |
|-------------------------------------------------------------------------------------|---------------------|-----------------------------------------------------------------------------|--------------------------------|
|  | Material / materiál | Part name / název                                                           |                                |
|                                                                                     | -                   | Right pullrod assembly behind pilots<br>Left pullrod assembly behind pilots |                                |
| Name of designer / navrh                                                            | Ing Martin Zahálka  | Weight / hmotnost                                                           | kg                             |
| Date of issue / datum vydání                                                        | 26.2.2010           | Page / list                                                                 | 1 / 1                          |
| Revision / změna                                                                    |                     | Scale / měřítko                                                             | Drawing number / číslo výkresu |
| Date of revision / datum změny                                                      |                     |                                                                             | S522_300_00-1                  |
| Pcs. / kusů                                                                         | 1 (1)               |                                                                             | S522_400_00-1                  |




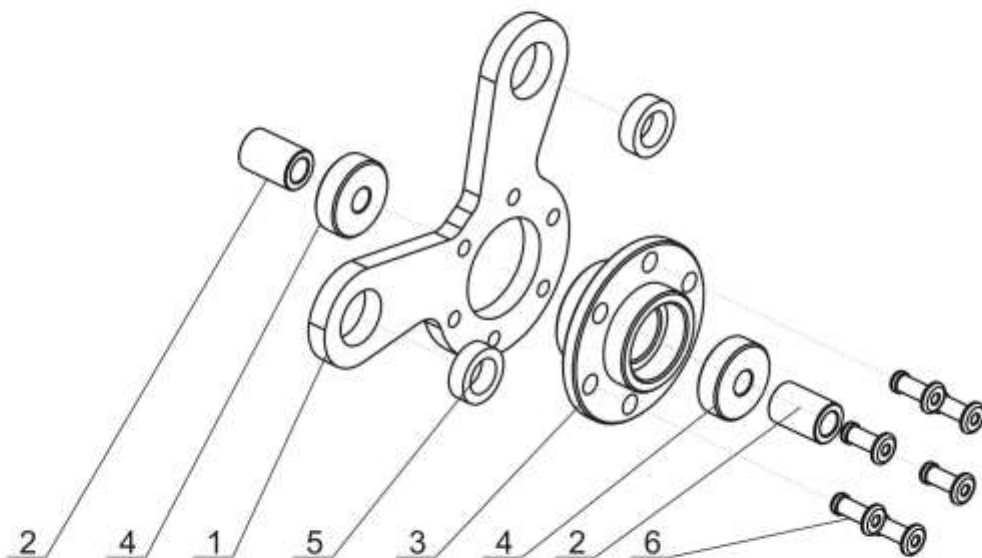
|             |                            |                           |                                |
|-------------|----------------------------|---------------------------|--------------------------------|
| 7           | Rivet Fe Ø 4x12            |                           | DIN 7337                       |
| 6           | Nut M 8                    |                           | ISO 4032                       |
| 5           | Bearing 6                  |                           | ČSN 02 3512                    |
| 4           | Solid eye 14 - 1           |                           | s590_1000_00-1                 |
| 3           | Thread insert 14 - 1       |                           | s590_800_00-1                  |
| 2           | Adjustable fork M 8        |                           | s590_700_00-1                  |
| 1           | Vertical pullrod in pillar |                           | TR 14x1-727 (42 4201.61)       |
| Pos. / poz. | Assembly / sestava         | Sub assembly / podsestava | Drawing number / číslo výkresu |

|                                                                                     |                     |                                     |                                |
|-------------------------------------------------------------------------------------|---------------------|-------------------------------------|--------------------------------|
|  | Material / materiál | Part name / název                   |                                |
|                                                                                     |                     | Vertical pullrod assembly in pillar |                                |
| Name of designer / navrh                                                            | Ing Martin Zahálka  | Weight / hmotnost                   | kg                             |
| Date of issue / datum vydání                                                        | 26.2.2010           | Page / list                         | 1 / 1                          |
| Revision / změna                                                                    |                     | Scale / měřítko                     | Drawing number / číslo výkresu |
| Date of revision / datum změny                                                      |                     |                                     | S522_500_00-1                  |
| Pcs. / kusů                                                                         | 2                   |                                     |                                |




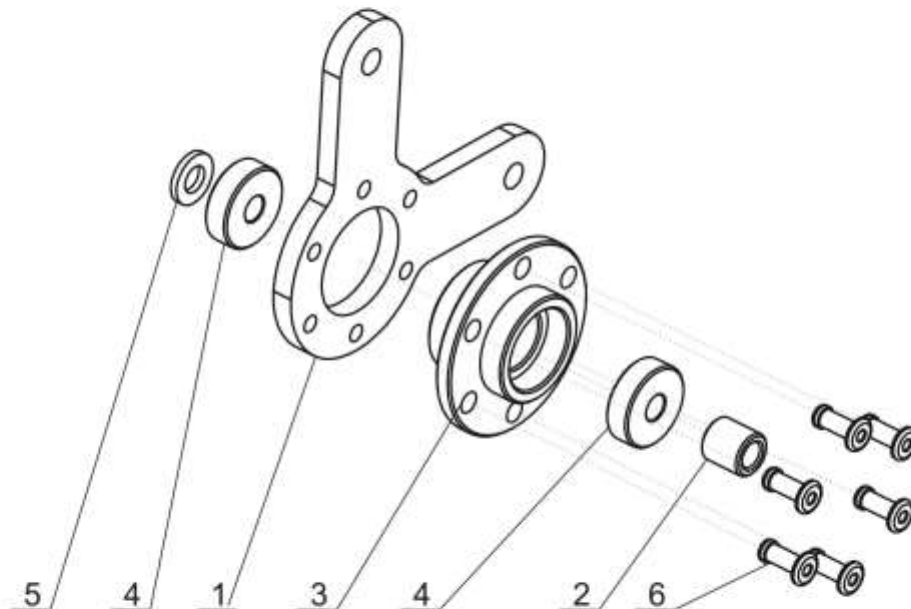
|             |                            |                           |                                |
|-------------|----------------------------|---------------------------|--------------------------------|
| 8           | Rivet Fe Ø 4 x 14          |                           | DIN 7337                       |
| 7           | Washer M 6                 |                           | ČSN 02 1721                    |
| 6           | Bearing 6                  |                           | ČSN 02 3512                    |
| 5           | Ball bearing               |                           | 626ZZ                          |
| 4           | Lever spacer behind pilots |                           | s522_620_00-1                  |
| 3           | Lever behind pilots        |                           | s522_610_00-1                  |
| 2           | Upper lever house          |                           | s521_330_00-1                  |
| 1           | Small lever                |                           | s521_320_00-1                  |
| Pos. / poz. | Assembly / sestava         | Sub assembly / podsestava | Drawing number / číslo výkresu |

|                                                                                     |                     |                              |                                |
|-------------------------------------------------------------------------------------|---------------------|------------------------------|--------------------------------|
|  | Material / materiál | Part name / název            |                                |
|                                                                                     |                     | Lever assembly behind pilots |                                |
| Name of designer / navrh                                                            | Ing Martin Zahálka  | Weight / hmotnost            | kg                             |
| Date of issue / datum vydání                                                        | 26.2.2010           | Page / list                  | 1/1                            |
| Revision / změna                                                                    |                     | Scale / měřítko              | Drawing number / číslo výkresu |
| Date of revision / datum změny                                                      |                     | S522_600_00-1                |                                |
| Pcs. / kusů                                                                         | 1                   |                              |                                |




|             |                         |                           |                                |
|-------------|-------------------------|---------------------------|--------------------------------|
| 6           | Rivet Fe Ø 4 x 14       |                           | DIN 7337                       |
| 5           | Bearing 6               |                           | ČSN 02 3512                    |
| 4           | Ball bearing            |                           | 626ZZ                          |
| 3           | Bearing house - 1       |                           | s590_100_00-1                  |
| 2           | Ailerons control spacer |                           | s522_720_00-1                  |
| 1           | Ailerons control lever  |                           | s522_710_00-1                  |
| Pos. / poz. | Assembly / sestava      | Sub assembly / podsestava | Drawing number / číslo výkresu |

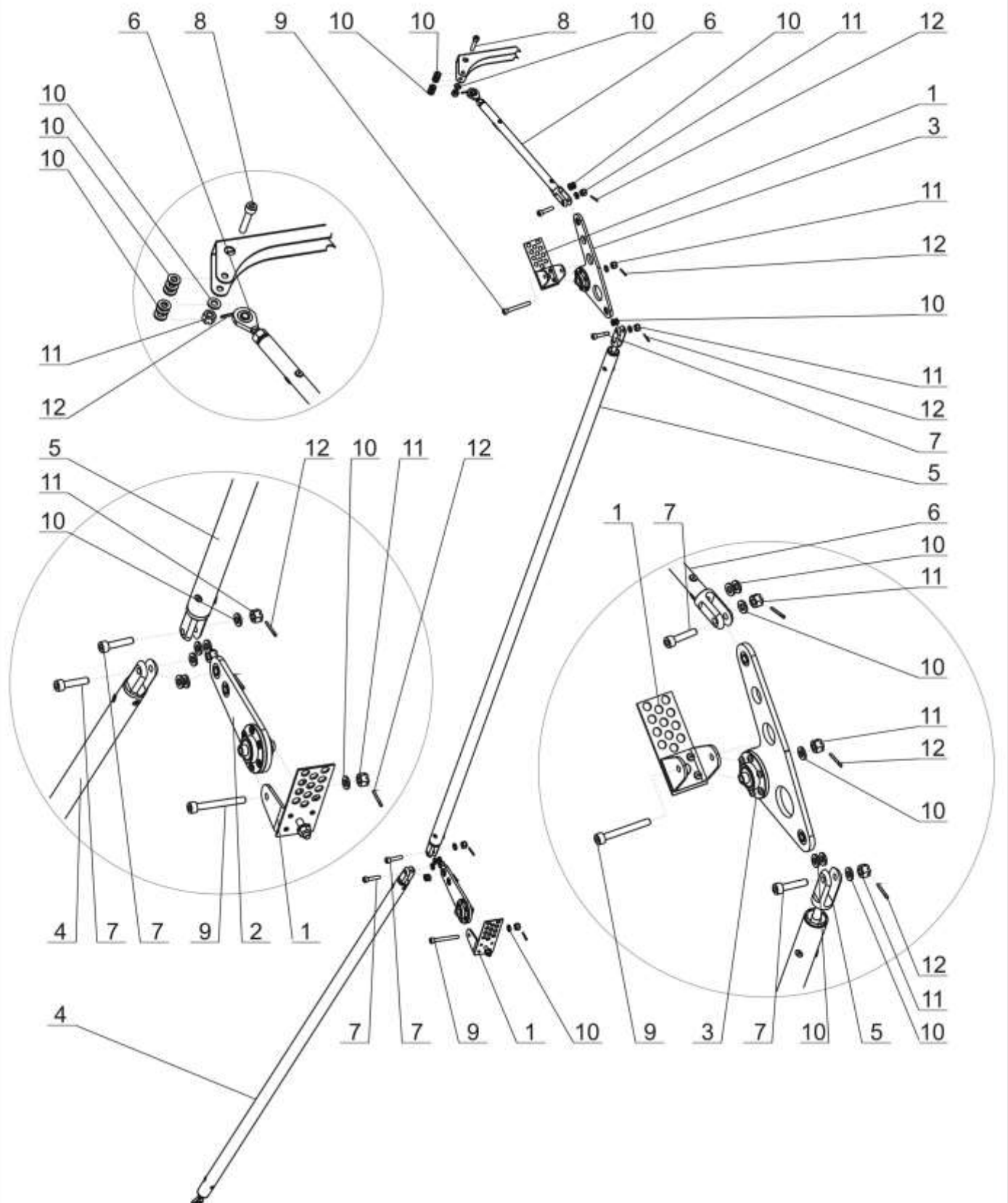
|                                                                                     |                     |                                |     |
|-------------------------------------------------------------------------------------|---------------------|--------------------------------|-----|
|  | Material / materiál | Part name / název              |     |
|                                                                                     |                     | Bottom lever pillar assembly   |     |
| Name of designer / navrh                                                            | Ing Martin Zahálka  | Weight / hmotnost              | kg  |
| Date of issue / datum vydání                                                        | 26.2.2010           | Page / list                    | 1/1 |
| Revision / změna                                                                    |                     | Drawing number / číslo výkresu |     |
| Date of revision / datum změny                                                      |                     | S522_700_00-1                  |     |
| Pcs. / kusů                                                                         | 2                   |                                |     |




|             |                            |                           |                                |
|-------------|----------------------------|---------------------------|--------------------------------|
| 6           | Rivet Fe Ø 4 x 14          |                           | DIN 7337                       |
| 5           | Washer M 6                 |                           | ČSN 02 1721                    |
| 4           | Ball bearing               |                           | 626ZZ                          |
| 3           | Bearing house - 1          |                           | s590_100_00-1                  |
| 2           | Upper lever spacer         |                           | s522_820_00-1                  |
| 1           | Ailer. control upper lever |                           | s522_810_00-1                  |
| Pos. / poz. | Assembly / sestava         | Sub assembly / podsestava | Drawing number / číslo výkresu |


|                                                                                     |                     |                                |     |
|-------------------------------------------------------------------------------------|---------------------|--------------------------------|-----|
|  | Material / materiál | Part name / název              |     |
|                                                                                     |                     | Upper lever pillar assembly    |     |
| Name of designer / navrh                                                            | Ing Martin Zahálka  | Weight / hmotnost              | kg  |
| Date of issue / datum vydání                                                        | 26.2.2010           | Page / list                    | 1/1 |
| Revision / změna                                                                    |                     | Drawing number / číslo výkresu |     |
| Date of revision / datum změny                                                      |                     | S522_800_00-1                  |     |
| Pcs. / kusů                                                                         | 2                   |                                |     |

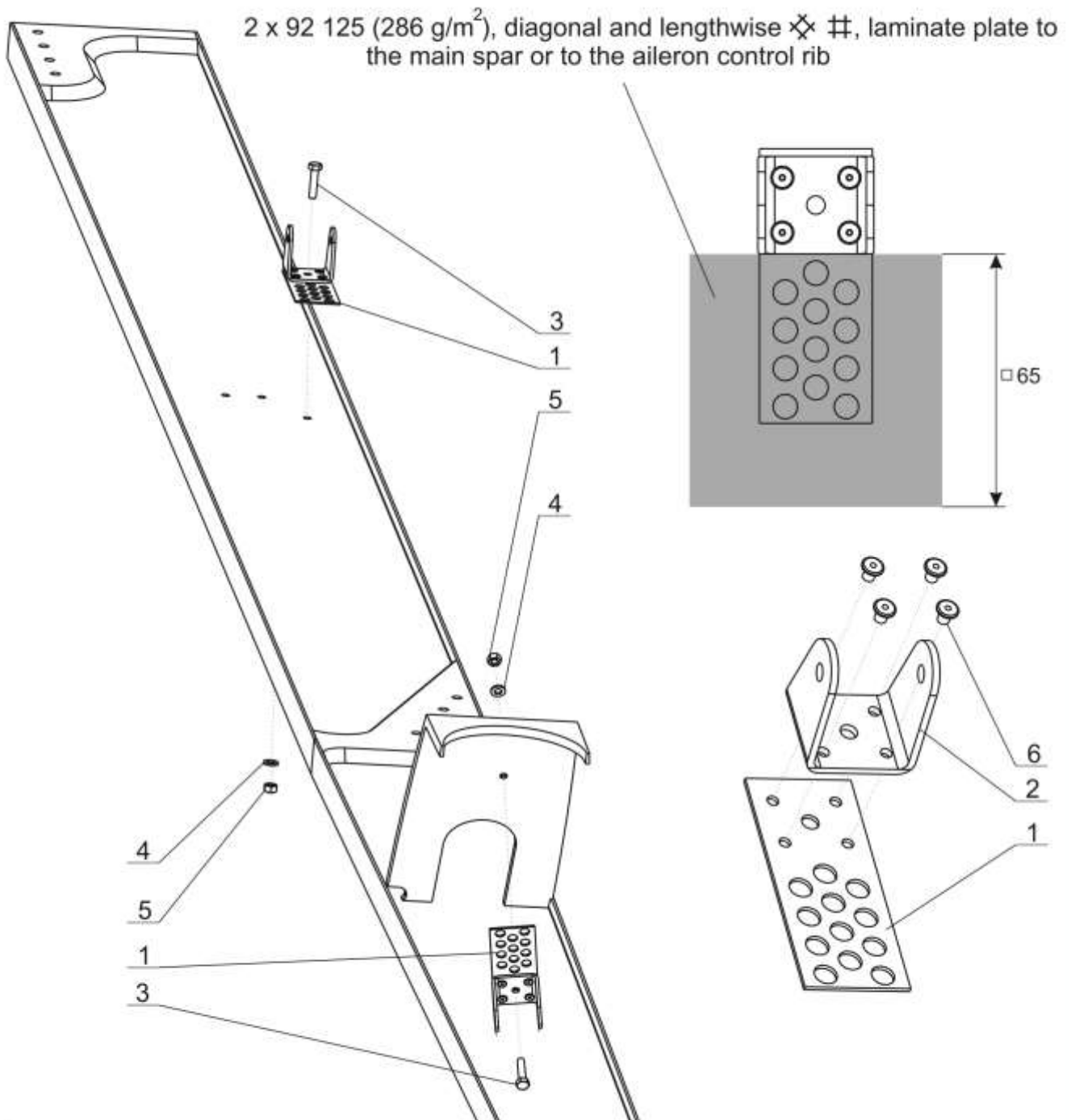





|                                                                                     |                     |                              |                                |
|-------------------------------------------------------------------------------------|---------------------|------------------------------|--------------------------------|
|  | Material / materiál | Part name / název            |                                |
|                                                                                     |                     | <b>Wing ailerons control</b> |                                |
| Name of designer / navrh                                                            | Ing Martin Zahálka  | Weight / hmotnost            | kg                             |
| Date of issue / datum vydání                                                        | 26.2.2010           | Page / list                  | 1 / 2                          |
| Revision / změna                                                                    |                     | Scale / měřítko              | Drawing number / číslo výkresu |
| Date of revision / datum změny                                                      |                     | <b>S523_000_00-1</b>         |                                |
| Pcs. / kusů                                                                         | 1                   |                              |                                |

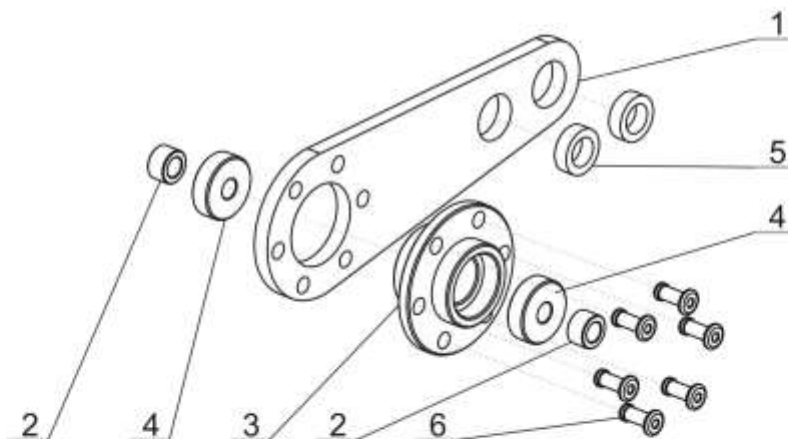
|             |                              |                           |                                |
|-------------|------------------------------|---------------------------|--------------------------------|
| 12          | Cotter pin 1,6               |                           | ČSN 02 1781                    |
| 11          | Castle nut M 6               |                           | ČSN 02 1411                    |
| 10          | Washer M6                    |                           | ČSN 02 1721                    |
| 9           | Screw M6 x 50                |                           | DIN 912                        |
| 8           | Screw M6 x 30                |                           | DIN 912                        |
| 7           | Screw M6 x 27                |                           | DIN 912                        |
| 6           | Pullrod assem. in the ailer. |                           | s523_600_00-1                  |
| 5           | Wing outer pullrod assem.    |                           | s523_500_00-1                  |
| 4           | Wing inner pullrod assem.    |                           | s523_400_00-1                  |
| 3           | Wing outer lever assemb.     |                           | s523_300_00-1                  |
| 2           | Wing inner lever assemb.     |                           | s523_200_00-1                  |
| 1           | Wing ailerons con. mounts    |                           | s523_100_00-1                  |
| Pos. / poz. | Assembly / sestava           | Sub assembly / podsestava | Drawing number / číslo výkresu |

|                                                                                     |                     |                       |                                |
|-------------------------------------------------------------------------------------|---------------------|-----------------------|--------------------------------|
|  | Material / materiál | Part name / název     |                                |
|                                                                                     |                     | Wing ailerons control |                                |
| Name of designer / navrhl                                                           | Ing Martin Zahálka  | Weight / hmotnost     | kg                             |
| Date of issue / datum vydání                                                        | 26.2.2010           | Page / list           | 2 / 2                          |
| Revision / změna                                                                    |                     | Scale / měřítko       | Drawing number / číslo výkresu |
| Date of revision / datum změny                                                      |                     |                       | S523_000_00-1                  |
| Pcs. / kusů                                                                         | 1                   |                       |                                |




|             |                      |                           |                                |
|-------------|----------------------|---------------------------|--------------------------------|
| 6           | Rivet Fe Ø4          |                           | DIN 7337                       |
| 5           | Nut VM 6             |                           | DIN 980                        |
| 4           | Washer M6            |                           | ČSN 02 1721                    |
| 3           | Screw M6 x 25        |                           | ISO 4016                       |
| 2           | Small "U" attachment |                           | s522_131_00-1                  |
| 1           | Mount plate          |                           | s523_110_00-1                  |
| Pos. / poz. | Assembly / sestava   | Sub assembly / podsestava | Drawing number / číslo výkresu |

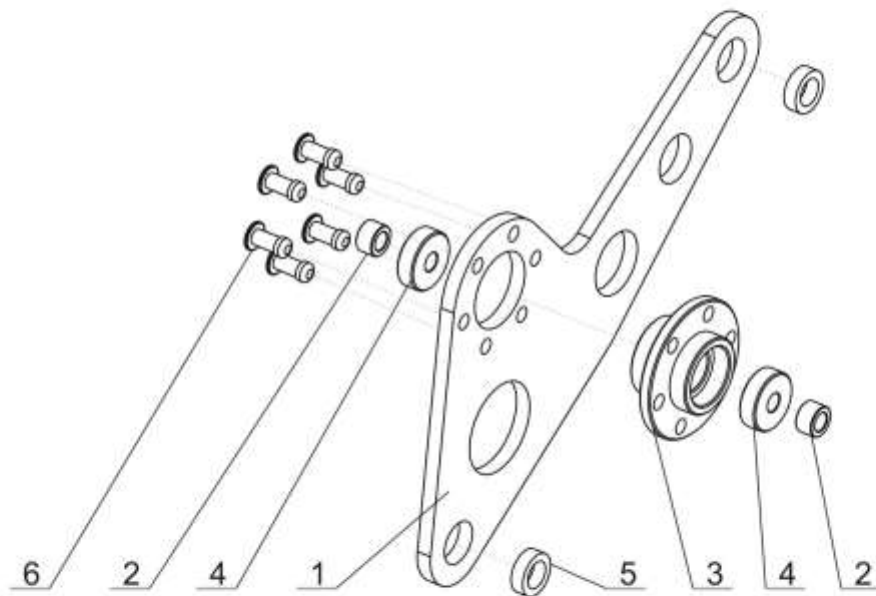
|                                                                                     |                     |                              |                                |             |
|-------------------------------------------------------------------------------------|---------------------|------------------------------|--------------------------------|-------------|
|  | Material / materiál | Part name / název            |                                |             |
|                                                                                     |                     | Wing ailerons control mounts |                                |             |
| Name of designer / návrh                                                            | Ing Martin Zahálka  | Weight / hmotnost            | kg                             | Page / list |
| Date of issue / datum vydání                                                        | 26.2.2010           | Scale / měřítko              | Drawing number / číslo výkresu |             |
| Revision / změna                                                                    |                     | S523_100_00-1                |                                |             |
| Date of revision / datum změny                                                      |                     |                              |                                |             |
| Pcs. / kusů                                                                         | 2                   |                              |                                |             |




|             |                           |                           |                                |
|-------------|---------------------------|---------------------------|--------------------------------|
| 6           | Rivet Fe Ø 4 x 14         |                           | DIN 7337                       |
| 5           | Bearing 6                 |                           | ČSN 02 3512                    |
| 4           | Ball bearing              |                           | 626ZZ                          |
| 3           | Bearing house - 1         |                           | s590_100_00-1                  |
| 2           | Wing ailer. contr. spacer |                           | s523_220_00-1                  |
| 1           | Wing inner lever          |                           | s523_210_00-1                  |
| Pos. / poz. | Assembly / sestava        | Sub assembly / podsestava | Drawing number / číslo výkresu |

|                                                                                     |                     |                           |                                |
|-------------------------------------------------------------------------------------|---------------------|---------------------------|--------------------------------|
|  | Material / materiál | Part name / název         |                                |
|                                                                                     | -                   | Wing inner lever assembly |                                |
| Name of designer / navrh                                                            | Ing Martin Zahálka  | Weight / hmotnost         | kg                             |
| Date of issue / datum vydání                                                        | 26.2.2010           | Page / list               | 1/1                            |
| Revision / změna                                                                    |                     | Scale / měřítko           | Drawing number / číslo výkresu |
| Date of revision / datum změny                                                      |                     |                           | S523_200_00-1                  |
| Pcs. / kusů                                                                         | 2                   |                           |                                |

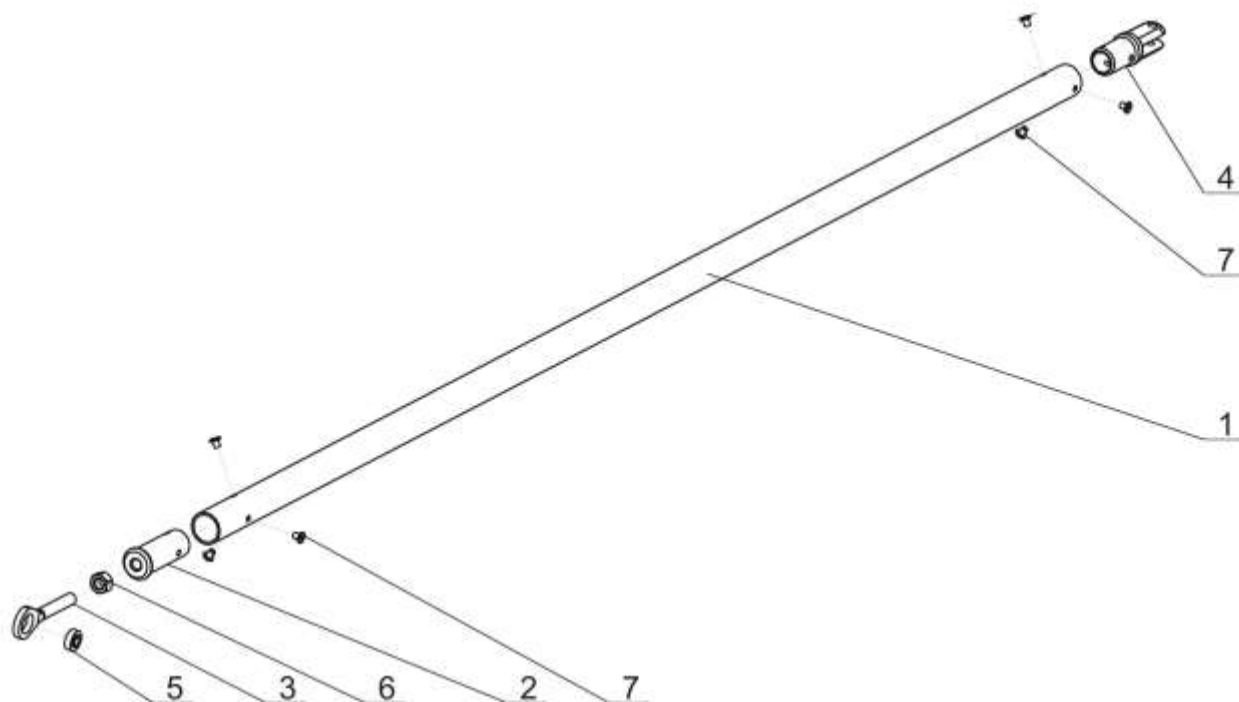





|             |                           |                           |                                |
|-------------|---------------------------|---------------------------|--------------------------------|
| 6           | Rivet Fe Ø 4 x 14         |                           | DIN 7337                       |
| 5           | Baering 6                 |                           | ČSN 02 3512                    |
| 4           | Ball bearing              |                           | 626ZZ                          |
| 3           | Bearing house - 1         |                           | s590_100_00-1                  |
| 2           | Wing ailer. contr. spacer |                           | s523_220_00-1                  |
| 1           | Wing outer lever          |                           | s523_310_00-1                  |
| Pos. / poz. | Assembly / sestava        | Sub assembly / podsestava | Drawing number / číslo výkresu |

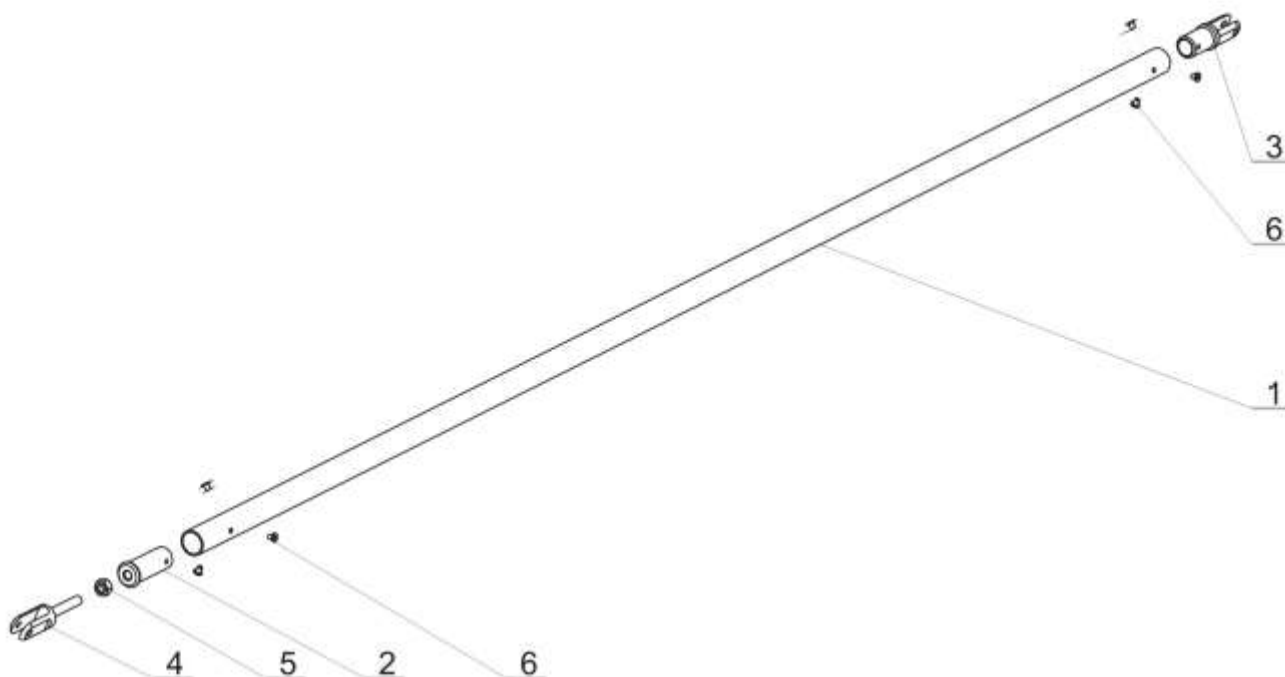
|                                                                                     |                     |                           |                                |
|-------------------------------------------------------------------------------------|---------------------|---------------------------|--------------------------------|
|  | Material / materiál | Part name / název         |                                |
|                                                                                     |                     | Wing outer lever assembly |                                |
| Name of designer / navrh                                                            | Ing Martin Zahálka  | Weight / hmotnost         | kg                             |
| Date of issue / datum vydání                                                        | 26.2.2010           | Page / list               | 1/1                            |
| Revision / změna                                                                    |                     | Scale / měřítko           | Drawing number / číslo výkresu |
| Date of revision / datum změny                                                      |                     |                           | S523_300_00-1                  |
| Pcs. / kusů                                                                         | 2                   |                           |                                |






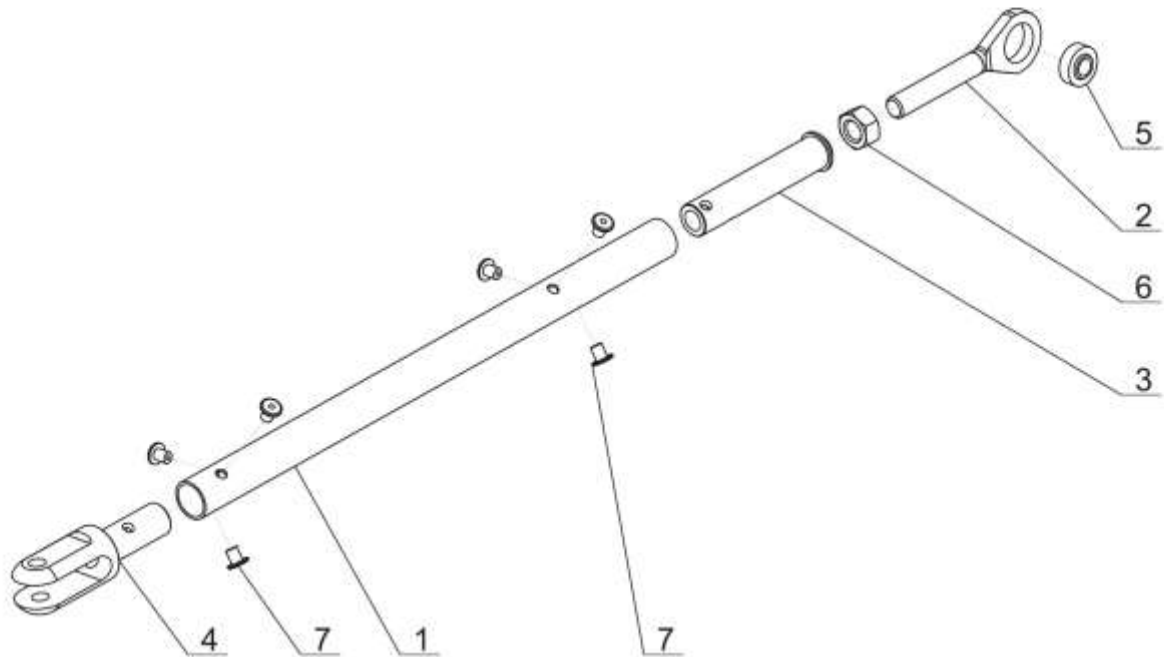
|             |                        |                           |                                |
|-------------|------------------------|---------------------------|--------------------------------|
| 7           | Rivet Fe Ø 4x12        |                           | DIN 7337                       |
| 6           | Nut M 8                |                           | ISO 4032                       |
| 5           | Bearing 6              |                           | ČSN 02 3512                    |
| 4           | Solid fork 22 - 1,5    |                           | s590_400_00-1                  |
| 3           | Adjustable eye M8      |                           | s590_300_00-1                  |
| 2           | Thread insert 22 - 1,5 |                           | s590_200_00-1                  |
| 1           | Wing inner pullrod     |                           | TR 22x1,5-1089 (42 4201.61)    |
| Pos. / poz. | Assembly / sestava     | Sub assembly / podsestava | Drawing number / číslo výkresu |

|                                                                                     |                     |                             |                                |
|-------------------------------------------------------------------------------------|---------------------|-----------------------------|--------------------------------|
|  | Material / materiál | Part name / název           |                                |
|                                                                                     |                     | Wing inner pullrod assembly |                                |
| Name of designer / navrh                                                            | Ing Martin Zahálka  | Weight / hmotnost           | kg                             |
| Date of issue / datum vydání                                                        | 26.2.2010           | Page / list                 | 1 / 1                          |
| Revision / změna                                                                    |                     | Scale / měřítko             | Drawing number / číslo výkresu |
| Date of revision / datum změny                                                      |                     |                             | S523_400_00-1                  |
| Pcs. / kusů                                                                         | 2                   |                             |                                |




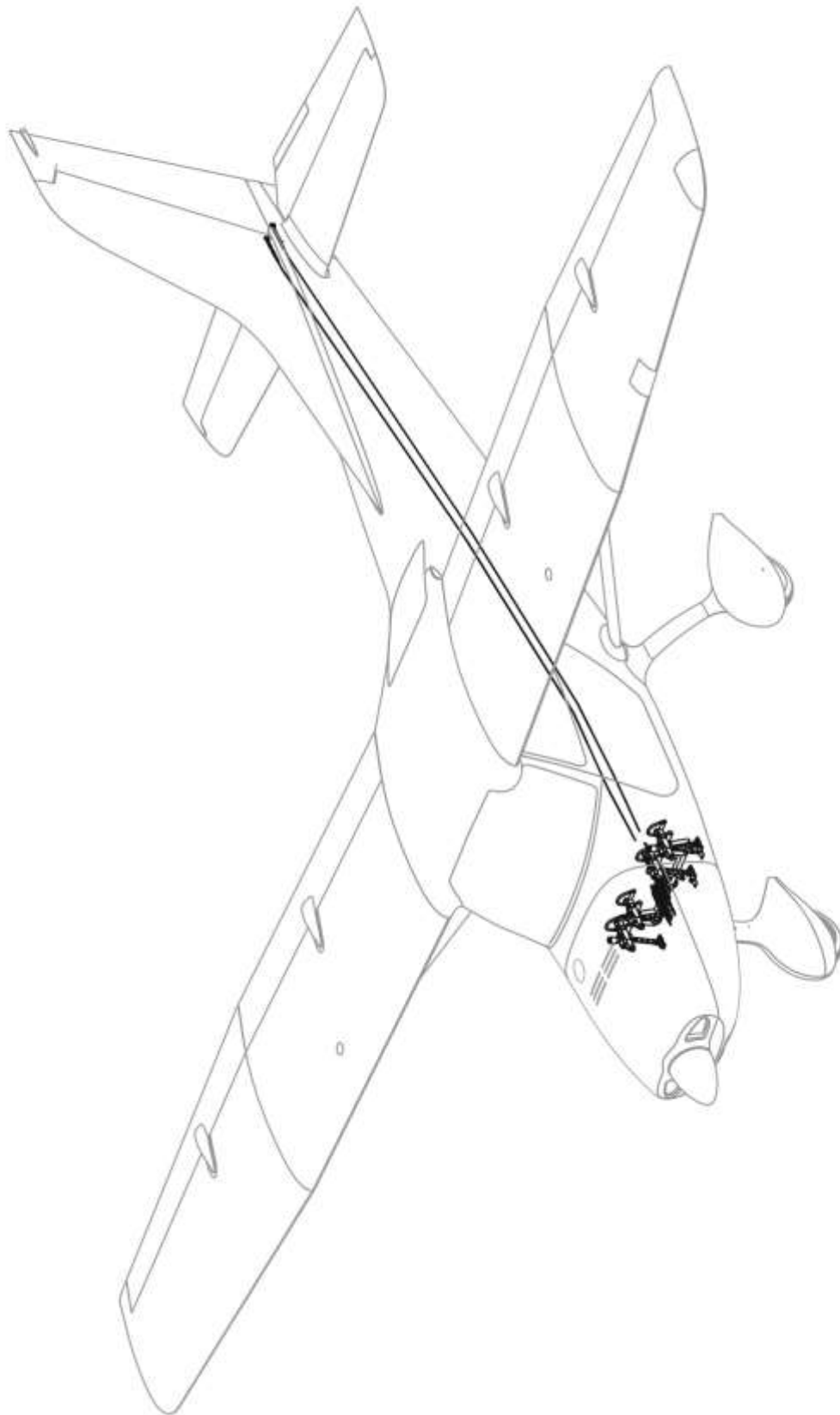
|             |                        |                           |                                |
|-------------|------------------------|---------------------------|--------------------------------|
| 6           | Rivet Fe Ø 4x12        |                           | DIN 7337                       |
| 5           | Nut M 8                |                           | ISO 4032                       |
| 4           | Adjustable fork M8     |                           | s590_700_00-1                  |
| 3           | Solid fork 22 - 1,5    |                           | s590_400_00-1                  |
| 2           | Thread insert 22 - 1,5 |                           | s590_200_00-1                  |
| 1           | Wing outer pullrod     |                           | TR 22x1,5-1430 (42 4201.61)    |
| Pos. / poz. | Assembly / sestava     | Sub assembly / podsestava | Drawing number / číslo výkresu |


|                                                                                     |                     |                             |                                |
|-------------------------------------------------------------------------------------|---------------------|-----------------------------|--------------------------------|
|  | Material / materiál | Part name / název           |                                |
|                                                                                     |                     | Wing outer pullrod assembly |                                |
| Name of designer / navrh                                                            | Ing Martin Zahálka  | Weight / hmotnost           | kg                             |
| Date of issue / datum vydání                                                        | 26.2.2010           | Page / list                 | 1 / 1                          |
| Revision / změna                                                                    |                     | Scale / měřítko             | Drawing number / číslo výkresu |
| Date of revision / datum změny                                                      |                     |                             | S523_500_00-1                  |
| Pcs. / kusů                                                                         | 2                   |                             |                                |

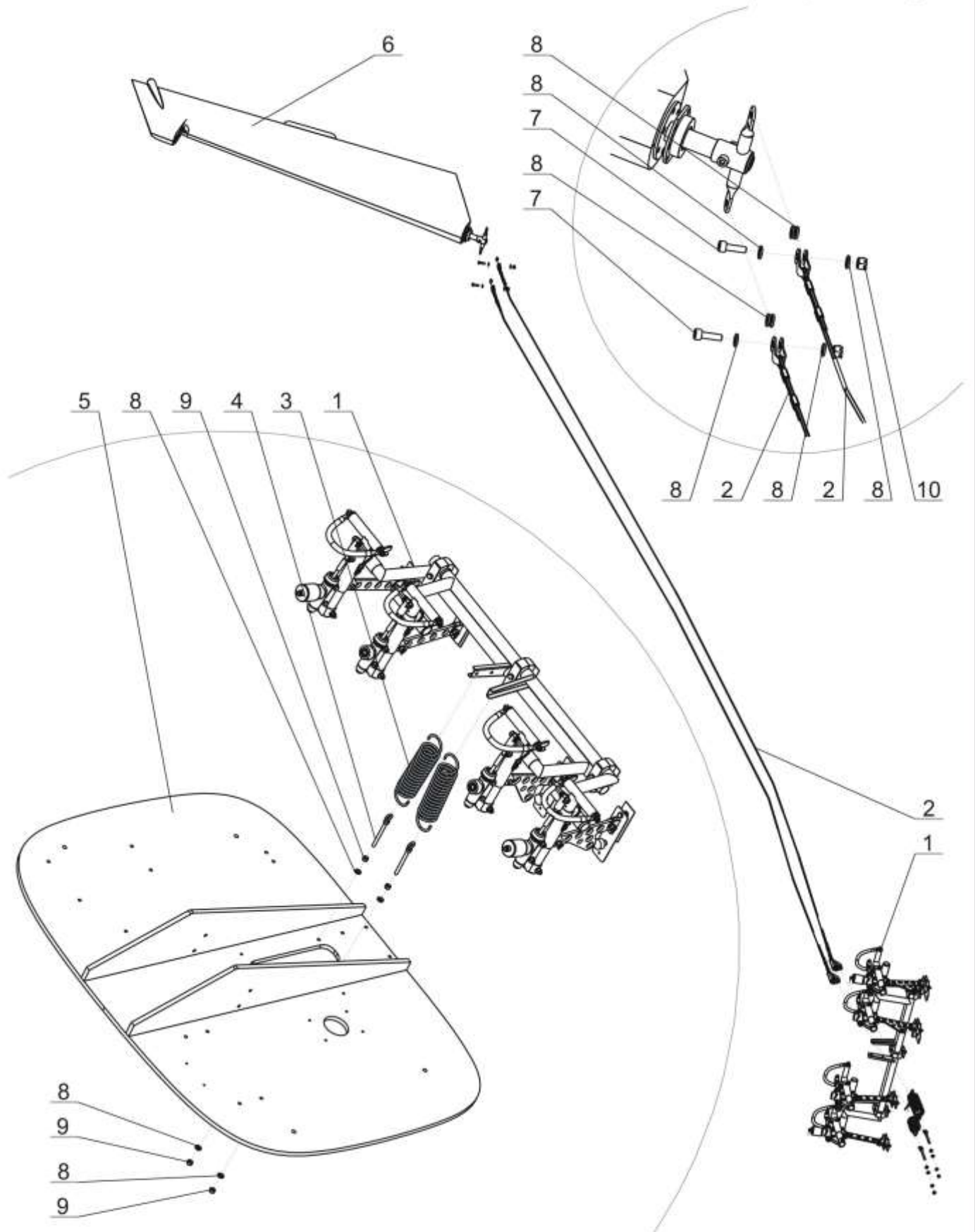



|             |                        |                           |                                |
|-------------|------------------------|---------------------------|--------------------------------|
| 7           | Rivet Fe Ø 4x12        |                           | DIN 7337                       |
| 6           | Nut M 8                |                           | ISO 4032                       |
| 5           | Bearing 6              |                           | ČSN 02 3512                    |
| 4           | Solid fork 14 - 1      |                           | s590_900_00-1                  |
| 3           | Thread insert 14 - 1   |                           | s590_800_00-1                  |
| 2           | Adjustable eye M8      |                           | s590_300_00-1                  |
| 1           | Pullrod in the aileron |                           | TR 14x1-200 (42 4201.61)       |
| Pos. / poz. | Assembly / sestava     | Sub assembly / podsestava | Drawing number / číslo výkresu |

|                                                                                     |                     |                                 |                                |
|-------------------------------------------------------------------------------------|---------------------|---------------------------------|--------------------------------|
|  | Material / materiál | Part name / název               |                                |
|                                                                                     |                     | Pullrod assembly in the aileron |                                |
| Name of designer / navrh                                                            | Ing Martin Zahálka  | Weight / hmotnost               | kg                             |
| Date of issue / datum vydání                                                        | 26.2.2010           | Page / list                     | 1 / 1                          |
| Revision / změna                                                                    |                     | Scale / měřítko                 | Drawing number / číslo výkresu |
| Date of revision / datum změny                                                      |                     |                                 | S523_600_00-1                  |
| Pcs. / kusů                                                                         | 2                   |                                 |                                |




|                                                                                     |                     |                   |                                |                   |
|-------------------------------------------------------------------------------------|---------------------|-------------------|--------------------------------|-------------------|
|  | Material / materiál | Part name / název |                                |                   |
|                                                                                     | -                   | Rudder control    |                                |                   |
| Name of designer / navrhl                                                           | Ing Martin Zahálka  | Weight / hmotnost | kg                             | Page / list 1 / 3 |
| Date of issue / datum vydání                                                        | 26.2.2010           | Scale / měřítko   | Drawing number / číslo výkresu |                   |
| Revision / změna                                                                    |                     | S530_000_00-1     |                                |                   |
| Date of revision / datum změny                                                      |                     |                   |                                |                   |
| Pcs. / kusů                                                                         | 1                   |                   |                                |                   |

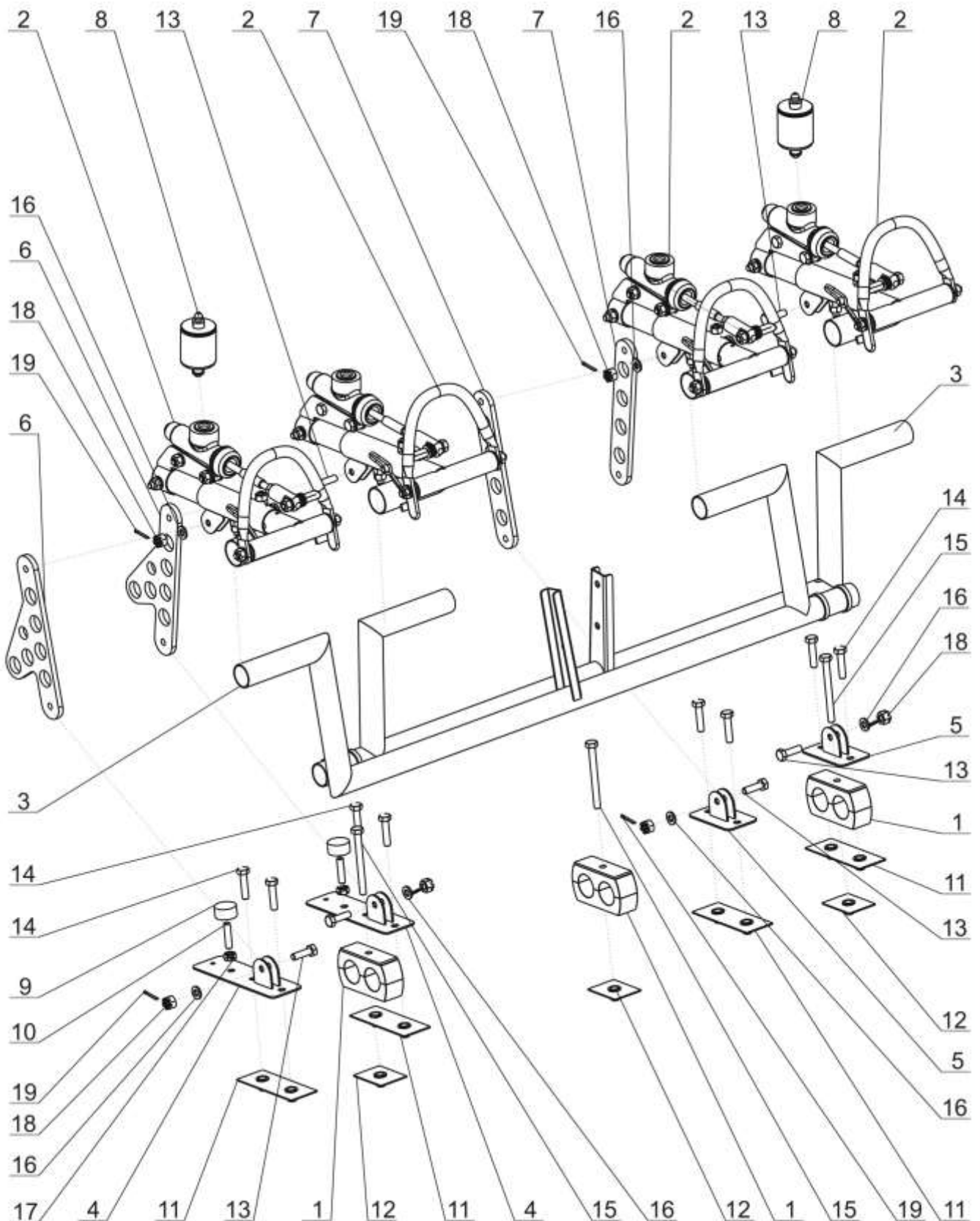



|                                                                                     |                     |                       |                                |             |
|-------------------------------------------------------------------------------------|---------------------|-----------------------|--------------------------------|-------------|
|  | Material / materiál | Part name / název     |                                |             |
|                                                                                     |                     | <b>Rudder control</b> |                                |             |
| Name of designer / navrh                                                            | Ing Martin Zahálka  | Weight / hmotnost     | kg                             | Page / list |
| Date of issue / datum vydání                                                        | 26.2.2010           | Scale / měřítko       | Drawing number / číslo výkresu |             |
| Revision / změna                                                                    |                     | <b>S530_000_00-1</b>  |                                |             |
| Date of revision / datum změny                                                      |                     |                       |                                |             |
| Pcs. / kusů                                                                         | 1                   |                       |                                |             |




|             |                           |                           |                                |
|-------------|---------------------------|---------------------------|--------------------------------|
| 10          | Castle nut M6             |                           | ČSN 02 1411                    |
| 9           | Nut M6                    |                           | ISO 4032                       |
| 8           | Washer M6                 |                           | ČSN 02 1721                    |
| 7           | Screw M6 x 20             |                           | DIN 912                        |
| 6           | Rudder                    |                           | s210_000_00-1                  |
| 5           | Firewall                  |                           | s200_560_00-1                  |
| 4           | Adjustable eye for spring |                           | s427_300_00-1                  |
| 3           | Rudder spring             |                           | s533_000_00-1                  |
| 2           | Rudder contr. rope system |                           | s532_000_00-1                  |
| 1           | Rudder pedal assembly     |                           | s531_000_00-1                  |
| Pos. / poz. | Assembly / sestava        | Sub assembly / podsestava | Drawing number / číslo výkresu |

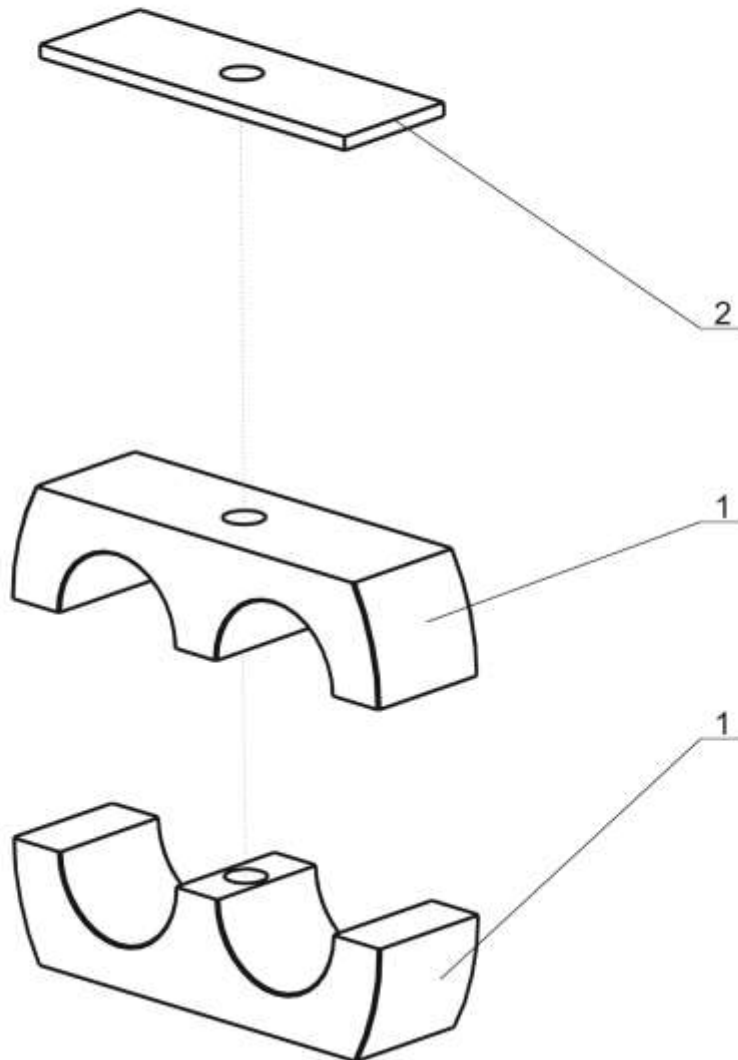
|                                                                                     |                     |                   |                                |
|-------------------------------------------------------------------------------------|---------------------|-------------------|--------------------------------|
|  | Material / materiál | Part name / název |                                |
|                                                                                     |                     | Rudder control    |                                |
| Name of designer / navrh                                                            | Ing Martin Zahálka  | Weight / hmotnost | kg                             |
| Date of issue / datum vydání                                                        | 26.2.2010           | Page / list       | 3/3                            |
| Revision / změna                                                                    |                     | Scale / měřítko   | Drawing number / číslo výkresu |
| Date of revision / datum změny                                                      |                     |                   | S530_000_00-1                  |
| Pcs. / kusů                                                                         | 1                   |                   |                                |




|                                                                                     |                     |                              |                                |             |
|-------------------------------------------------------------------------------------|---------------------|------------------------------|--------------------------------|-------------|
|  | Material / materiál | Part name / název            |                                |             |
|                                                                                     |                     | <b>Rudder pedal assembly</b> |                                |             |
| Name of designer / navrh                                                            | Ing Martin Zahálka  | Weight / hmotnost            | kg                             | Page / list |
| Date of issue / datum vydání                                                        | 26.2.2010           | Scale / měřítko              | Drawing number / číslo výkresu |             |
| Revision / změna                                                                    |                     | <b>S531_000_00-1</b>         |                                |             |
| Date of revision / datum změny                                                      |                     |                              |                                |             |
| Pcs. / kusů                                                                         | 1                   |                              |                                |             |

|             |                            |                              |                                |
|-------------|----------------------------|------------------------------|--------------------------------|
| 19          | Cotter pin 1,6             |                              | ČSN 02 1781                    |
| 18          | Castle nut M6              |                              | ČSN 02 1411                    |
| 17          | Nut M 6                    |                              | ISO 4032                       |
| 16          | Washer M6                  |                              | ČSN 02 1721                    |
| 15          | Screw M6 x 60              |                              | ISO 4014                       |
| 14          | Screw M6 x 25              |                              | ISO 4014                       |
| 13          | Screw M6 x 20              |                              | ISO 4014                       |
| 12          |                            | Single plate under the floor | s531_920_00-1                  |
| 11          |                            | Double plate under the floor | s531_910_00-1                  |
| -           | Plates under the floor     |                              | s531_900_00-1                  |
| 10          |                            | Thread rod M6 - 24           | s531_820_00-1                  |
| 9           |                            | Rudder pedal stop            | s531_810_00-1                  |
| -           | Pedal stop assembly        |                              | s531_800_00-1                  |
| 8           | Brake fluid bottle assemb. |                              | s531_700_00-1                  |
| 7           | Pedal strut - 2            |                              | s531_600_00-1                  |
| 6           | Pedal strut - 1            |                              | s531_500_00-1                  |
| 5           |                            | Pedal weld. attach. - 2      | s531_420_00-1                  |
| 4           |                            | Pedal weld. attach. - 1      | s531_410_00-1                  |
| -           | Pedal welded attachment    |                              | s531_400_00-1                  |
| 3           | Pedal leg assembly         |                              | s531_300_00-1                  |
| 2           | Foot pedal assembly        |                              | s531_200_00-1                  |
| 1           | Rudder pedal hinge         |                              | s531_100_00-1                  |
| Pos. / poz. | Assembly / sestava         | Sub assembly / podsestava    | Drawing number / číslo výkresu |

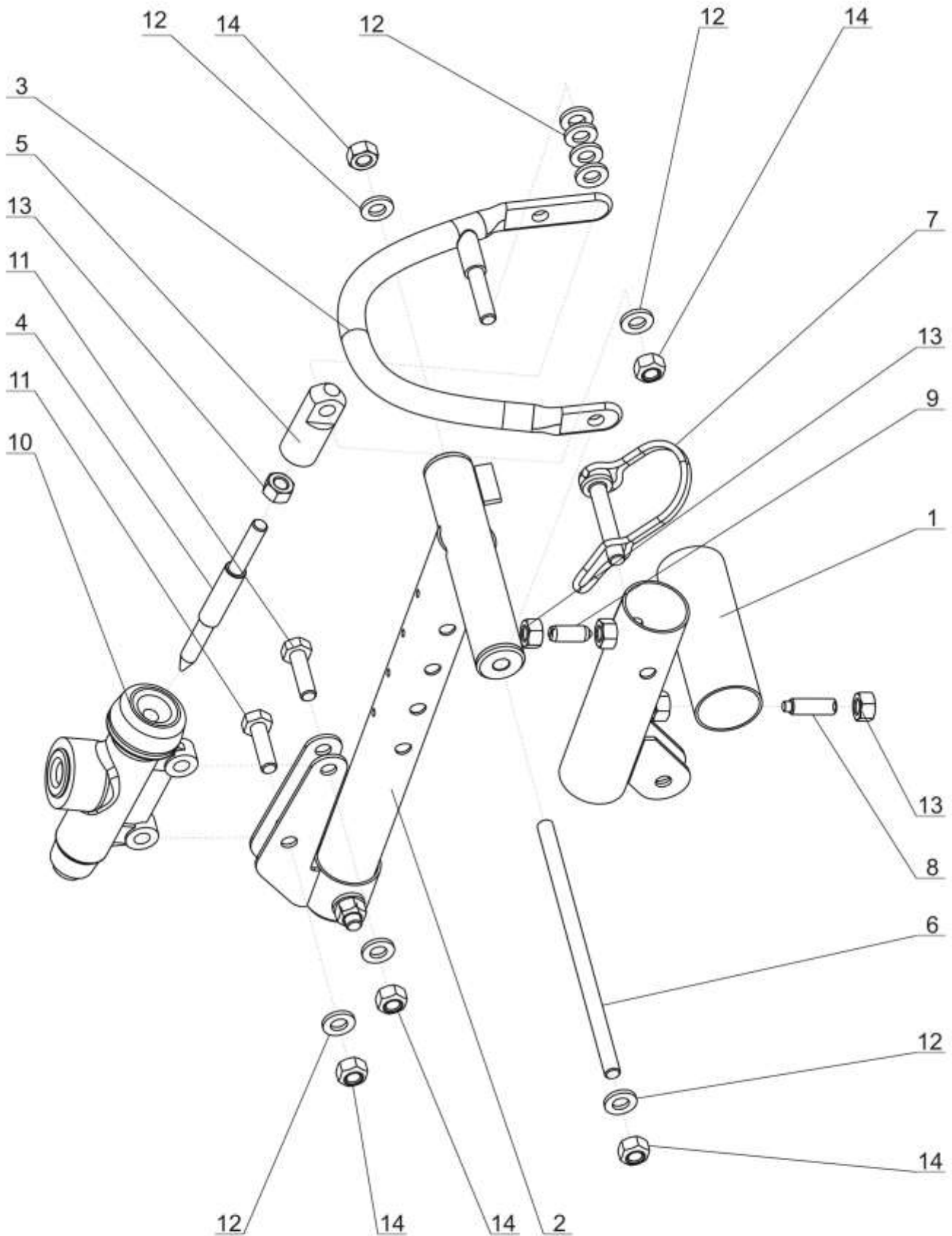
|                                                                                     |                     |                       |                                |
|-------------------------------------------------------------------------------------|---------------------|-----------------------|--------------------------------|
|  | Material / materiál | Part name / název     |                                |
|                                                                                     |                     | Rudder pedal assembly |                                |
| Name of designer / návrh                                                            | Ing Martin Zahálka  | Weight / hmotnost     | kg                             |
| Date of issue / datum vydání                                                        | 26.2.2010           | Page / list           | 2/2                            |
| Revision / změna                                                                    |                     | Scale / měřítko       | Drawing number / číslo výkresu |
| Date of revision / datum změny                                                      |                     |                       | S531_000_00-1                  |
| Pcs. / kusů                                                                         | 1                   |                       |                                |




|             |                    |                           |                                |
|-------------|--------------------|---------------------------|--------------------------------|
| 2           | Pedal mount plate  |                           | s531_120_00-1                  |
| 1           | Pedal silon mount  |                           | s531_110_00-1                  |
| Pos. / poz. | Assembly / sestava | Sub assembly / podsestava | Drawing number / číslo výkresu |

|                                                                                     |                     |                    |                                |
|-------------------------------------------------------------------------------------|---------------------|--------------------|--------------------------------|
|  | Material / materiál | Part name / název  |                                |
|                                                                                     |                     | Rudder pedal hinge |                                |
| Name of designer / návrh                                                            | Ing Martin Zahálka  | Weight / hmotnost  | kg                             |
| Date of issue / datum vydání                                                        | 26.2.2010           | Page / list        | 1/1                            |
| Revision / změna                                                                    |                     | Scale / měřítko    | Drawing number / číslo výkresu |
| Date of revision / datum změny                                                      |                     |                    | S531_100_00-1                  |
| Pcs. / kusů                                                                         | 3                   |                    |                                |




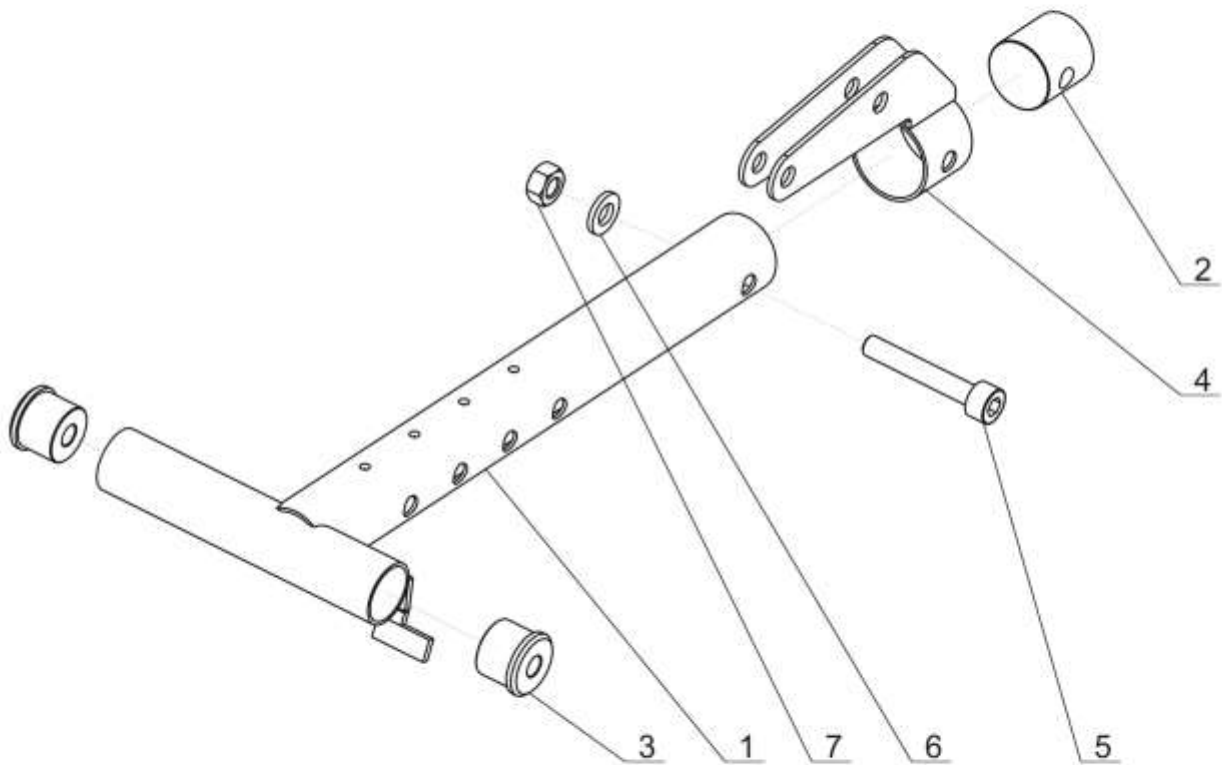


|                                                                                     |                     |                            |                                |             |
|-------------------------------------------------------------------------------------|---------------------|----------------------------|--------------------------------|-------------|
|  | Material / materiál | Part name / název          |                                |             |
|                                                                                     |                     | <b>Foot pedal assembly</b> |                                |             |
| Name of designer / navrh                                                            | Ing Martin Zahálka  | Weight / hmotnost          | kg                             | Page / list |
| Date of issue / datum vydání                                                        | 26.2.2010           | Scale / měřítko            | Drawing number / číslo výkresu |             |
| Revision / změna                                                                    |                     | <b>S531_200_00-1</b>       |                                |             |
| Date of revision / datum změny                                                      |                     |                            |                                |             |
| Pcs. / kusů                                                                         | 4                   |                            |                                |             |




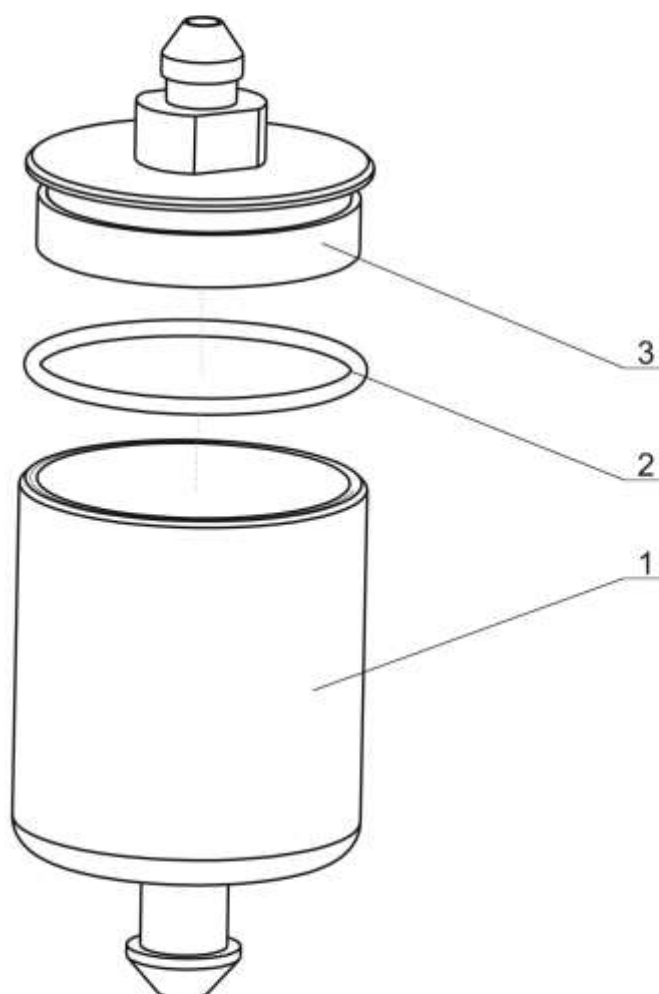
|             |                          |                           |                                |
|-------------|--------------------------|---------------------------|--------------------------------|
| 14          | Nut VM 6                 |                           | DIN 980                        |
| 13          | Nut M6                   |                           | ISO 4032                       |
| 12          | Washer M6                |                           | ČSN 02 1721                    |
| 11          | Screw M6 x 20            |                           | ISO 4014                       |
| 10          | Brake cylinder           |                           | AJP 128.00.052C                |
| 9           | Adj. screw M6 with ball  |                           | Hangzhou unit. Bridge Tools    |
| 8           | Adjustable screw M6      |                           | ISO 7435                       |
| 7           | Adjustable pedal pin     |                           | McMaster - Carr M6x1           |
| 6           | Brake pedal axis         |                           | s531_260_00-1                  |
| 5           | Brake pedal pullrod fork |                           | s531_250_00-1                  |
| 4           | Brake pedal pullrod      |                           | s531_240_00-1                  |
| 3           | Brake pedal toe          |                           | s531_230_00-1                  |
| 2           | Adjustable pedal         |                           | s531_220_00-1                  |
| 1           | Solid pedal              |                           | s531_210_00-1                  |
| Pos. / poz. | Assembly / sestava       | Sub assembly / podsestava | Drawing number / číslo výkresu |

|                                                                                     |                     |                     |                                |
|-------------------------------------------------------------------------------------|---------------------|---------------------|--------------------------------|
|  | Material / materiál | Part name / název   |                                |
|                                                                                     |                     | Foot pedal assembly |                                |
| Name of designer / navrh                                                            | Ing Martin Zahálka  | Weight / hmotnost   | kg                             |
| Date of issue / datum vydání                                                        | 26.2.2010           | Page / list         | 2/2                            |
| Revision / změna                                                                    |                     | Scale / měřítko     | Drawing number / číslo výkresu |
| Date of revision / datum změny                                                      |                     |                     | S531_200_00-1                  |
| Pcs. / kusů                                                                         | 4                   |                     |                                |




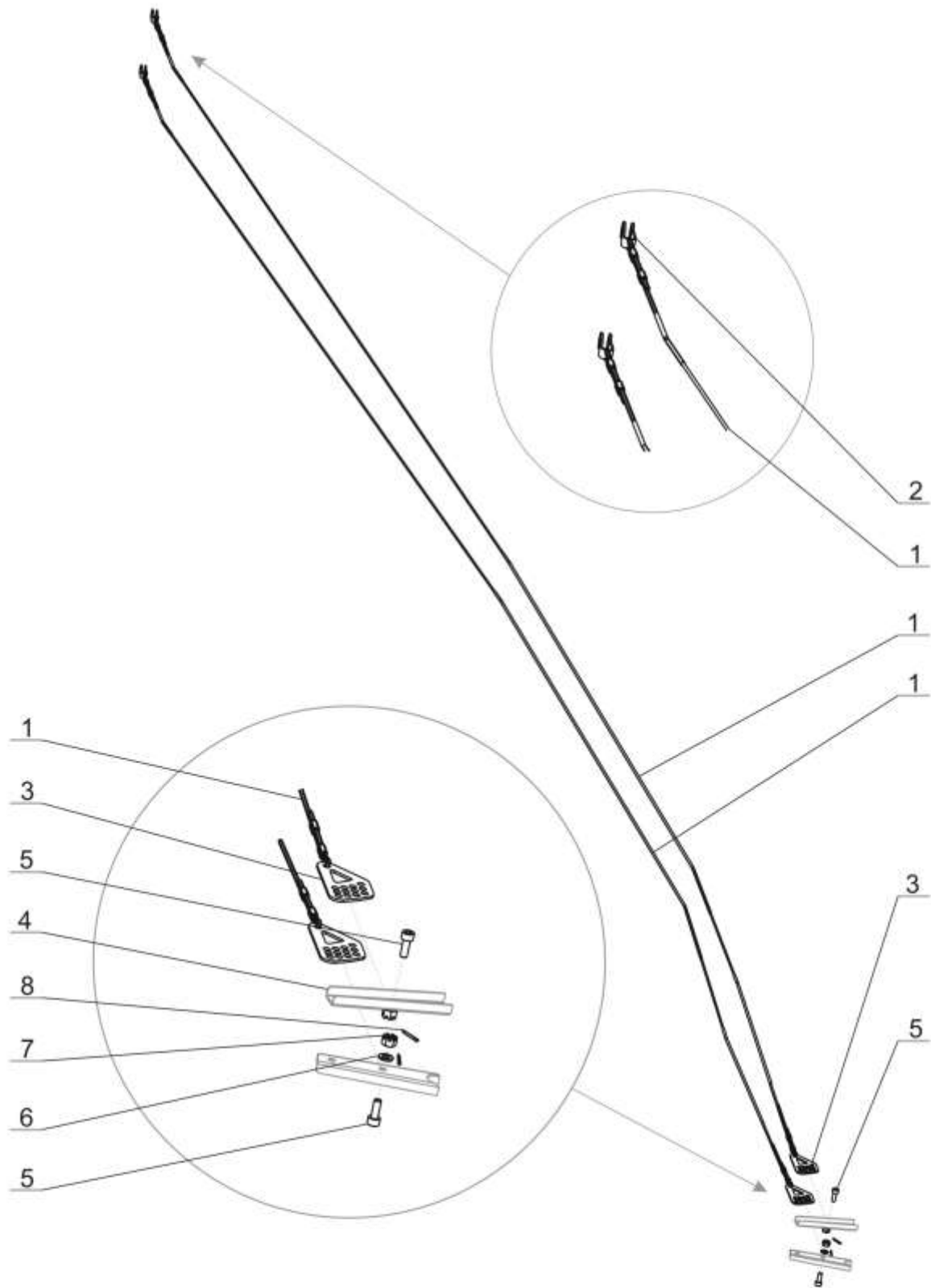
|             |                          |                           |                                |
|-------------|--------------------------|---------------------------|--------------------------------|
| 7           | Nut VM 6                 |                           | DIN 980                        |
| 6           | Washer M6                |                           | ČSN 02 1721                    |
| 5           | Screw M6 x 36            |                           | DIN 912                        |
| 4           | Brake cylinder holder    |                           | s531_224_00-1                  |
| 3           | Brake pedal toe insert   |                           | s531_223_00-1                  |
| 2           | Adjustable pedal insert  |                           | s531_222_00-1                  |
| 1           | Adjustable pedal welding |                           | s531_221_00-1                  |
| Pos. / poz. | Assembly / sestava       | Sub assembly / podsestava | Drawing number / číslo výkresu |


|                                                                                     |                     |                         |                                |
|-------------------------------------------------------------------------------------|---------------------|-------------------------|--------------------------------|
|  | Material / materiál | Part name / název       |                                |
|                                                                                     |                     | <b>Adjustable pedal</b> |                                |
| Name of designer / navrh                                                            | Ing Martin Zahálka  | Weight / hmotnost       | kg                             |
| Date of issue / datum vydání                                                        | 26.2.2010           | Page / list             | 1/1                            |
| Revision / změna                                                                    |                     | Scale / měřítko         | Drawing number / číslo výkresu |
| Date of revision / datum změny                                                      |                     |                         | <b>S512_000_00-1</b>           |
| Pcs. / kusů                                                                         | 4                   |                         |                                |




|             |                        |                           |                                |
|-------------|------------------------|---------------------------|--------------------------------|
| 3           | Brake fluid bottle cap |                           | s531_730_00-1                  |
| 2           | O - bottle sealing     |                           | -                              |
| 1           | Brake fluid bottle     |                           | s531_710_00-1                  |
| Pos. / poz. | Assembly / sestava     | Sub assembly / podsestava | Drawing number / číslo výkresu |

|                                                                                     |                     |                             |                                |
|-------------------------------------------------------------------------------------|---------------------|-----------------------------|--------------------------------|
|  | Material / materiál | Part name / název           |                                |
|                                                                                     | -                   | Brake fluid bottle assembly |                                |
| Name of designer / navrh                                                            | Ing Martin Zahálka  | Weight / hmotnost           | kg                             |
| Date of issue / datum vydání                                                        | 26.2.2010           | Page / list                 | 1 / 1                          |
| Revision / změna                                                                    |                     | Scale / měřítko             | Drawing number / číslo výkresu |
| Date of revision / datum změny                                                      |                     |                             | S531_700_00-1                  |
| Pcs. / kusů                                                                         | 2                   |                             |                                |

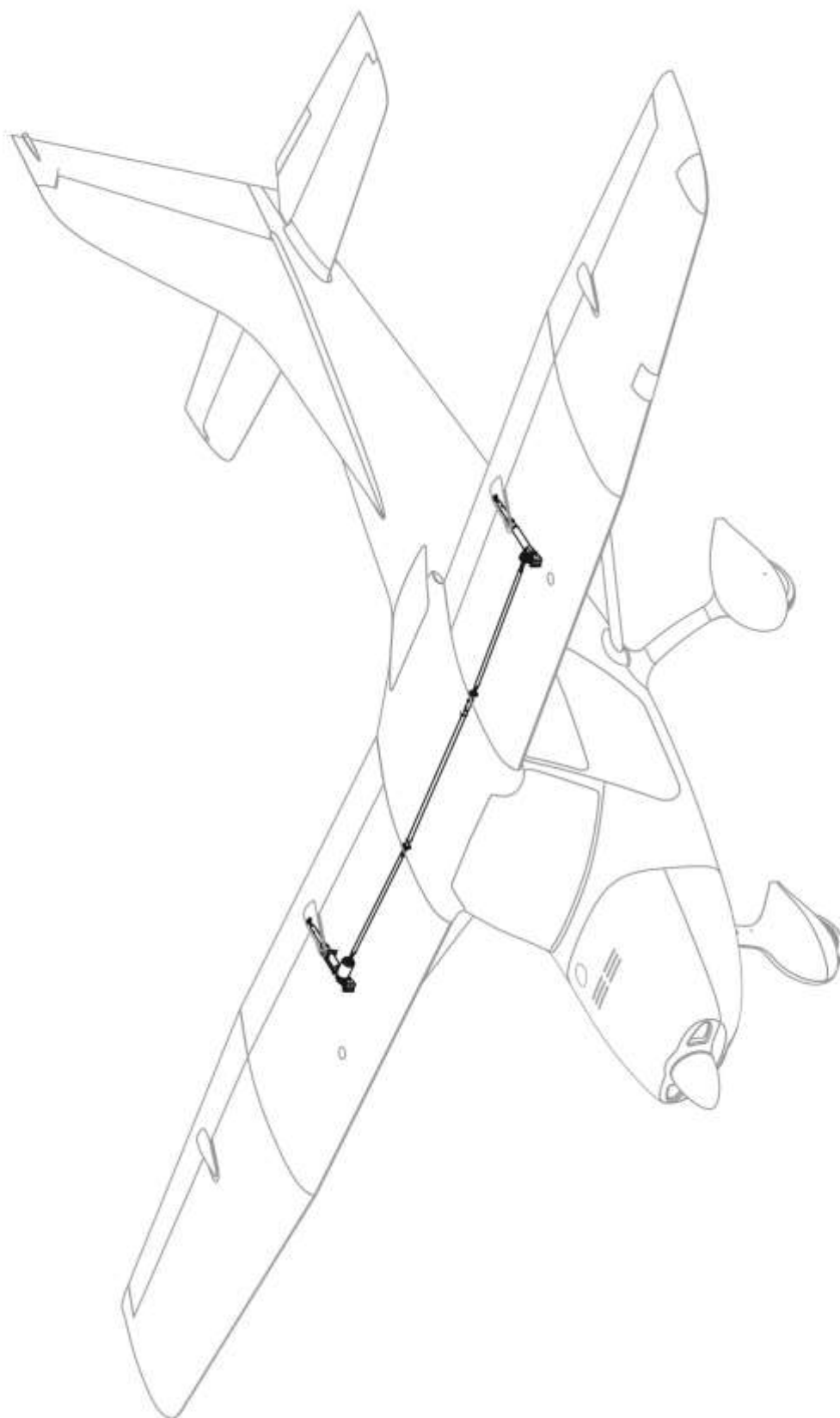



|                                                                                     |                     |                                   |                                |             |
|-------------------------------------------------------------------------------------|---------------------|-----------------------------------|--------------------------------|-------------|
|  | Material / materiál | Part name / název                 |                                |             |
|                                                                                     |                     | <b>Rudder control rope system</b> |                                |             |
| Name of designer / navrh                                                            | Ing Martin Zahálka  | Weight / hmotnost                 | kg                             | Page / list |
| Date of issue / datum vydání                                                        | 26.2.2010           | Scale / měřítko                   | Drawing number / číslo výkresu |             |
| Revision / změna                                                                    |                     | <b>S532_000_00-1</b>              |                                |             |
| Date of revision / datum změny                                                      |                     |                                   |                                |             |
| Pcs. / kusů                                                                         | 1                   |                                   |                                |             |

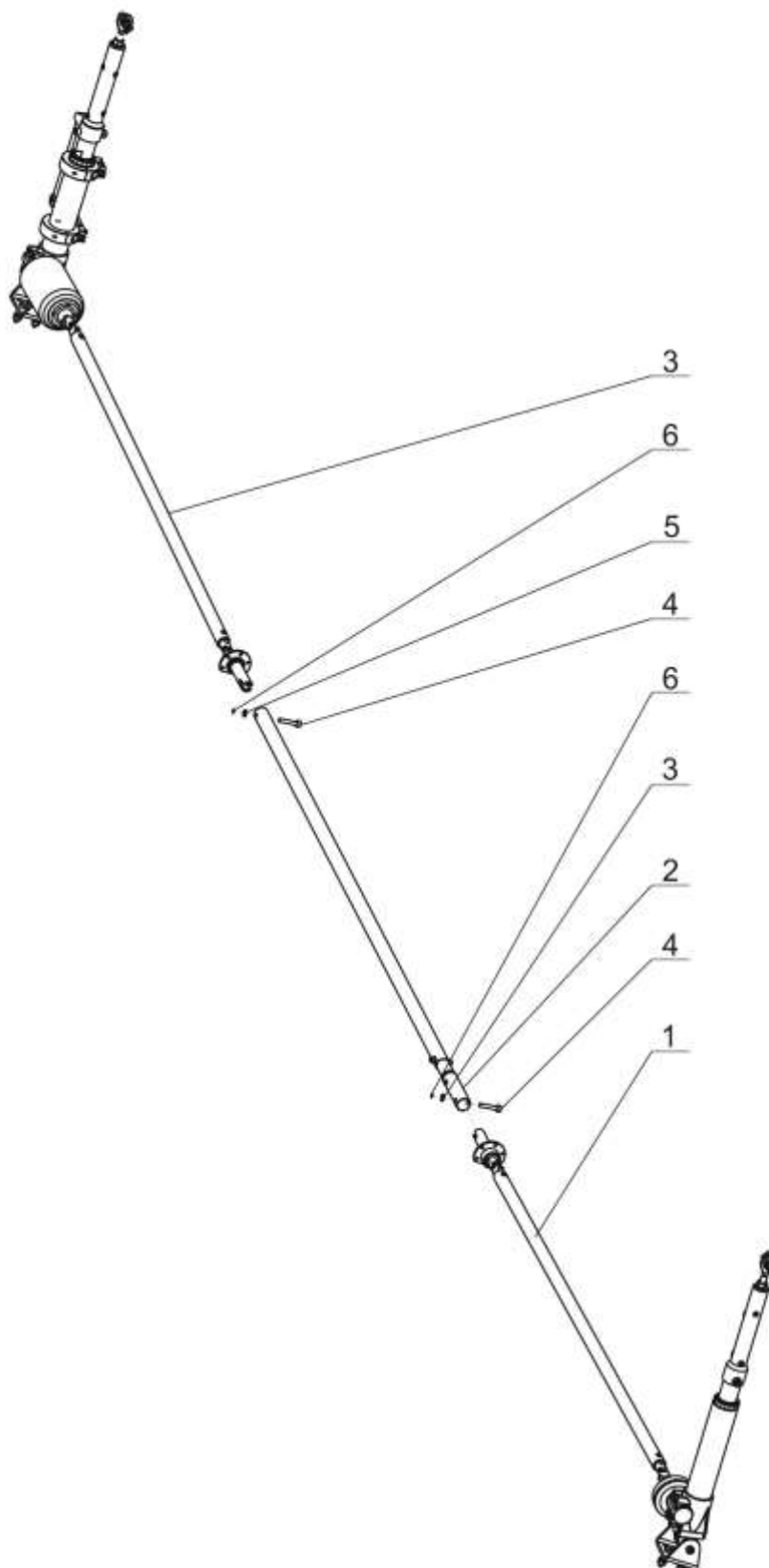
|             |                     |                           |                                |
|-------------|---------------------|---------------------------|--------------------------------|
| 8           | Cotter pin 1,6      |                           | ČSN 02 1781                    |
| 7           | Castle nut M6       |                           | ČSN 02 1411                    |
| 6           | Washer M6           |                           | ČSN 02 1721                    |
| 5           | Screw M6 x 16       |                           | DIN 912                        |
| 4           | Pedal control plate |                           | s531_320_00-1                  |
| 3           | Rope strainer       |                           | s532_300_00-1                  |
| 2           | Rope socket "U"     |                           | s532_200_00-1                  |
| 1           | Rudder control rope |                           | s532_100_00-1                  |
| Pos. / poz. | Assembly / sestava  | Sub assembly / podsestava | Drawing number / číslo výkresu |


|                                                                                     |                     |                            |                                |
|-------------------------------------------------------------------------------------|---------------------|----------------------------|--------------------------------|
|  | Material / materiál | Part name / název          |                                |
|                                                                                     | -                   | Rudder control rope system |                                |
| Name of designer / navrhl                                                           | Ing Martin Zahálka  | Weight / hmotnost          | kg                             |
| Date of issue / datum vydání                                                        | 26.2.2010           | Page / list                | 2 / 2                          |
| Revision / změna                                                                    |                     | Scale / měřítko            | Drawing number / číslo výkresu |
| Date of revision / datum změny                                                      |                     |                            | S532_000_00-1                  |
| Pcs. / kusů                                                                         | 1                   |                            |                                |






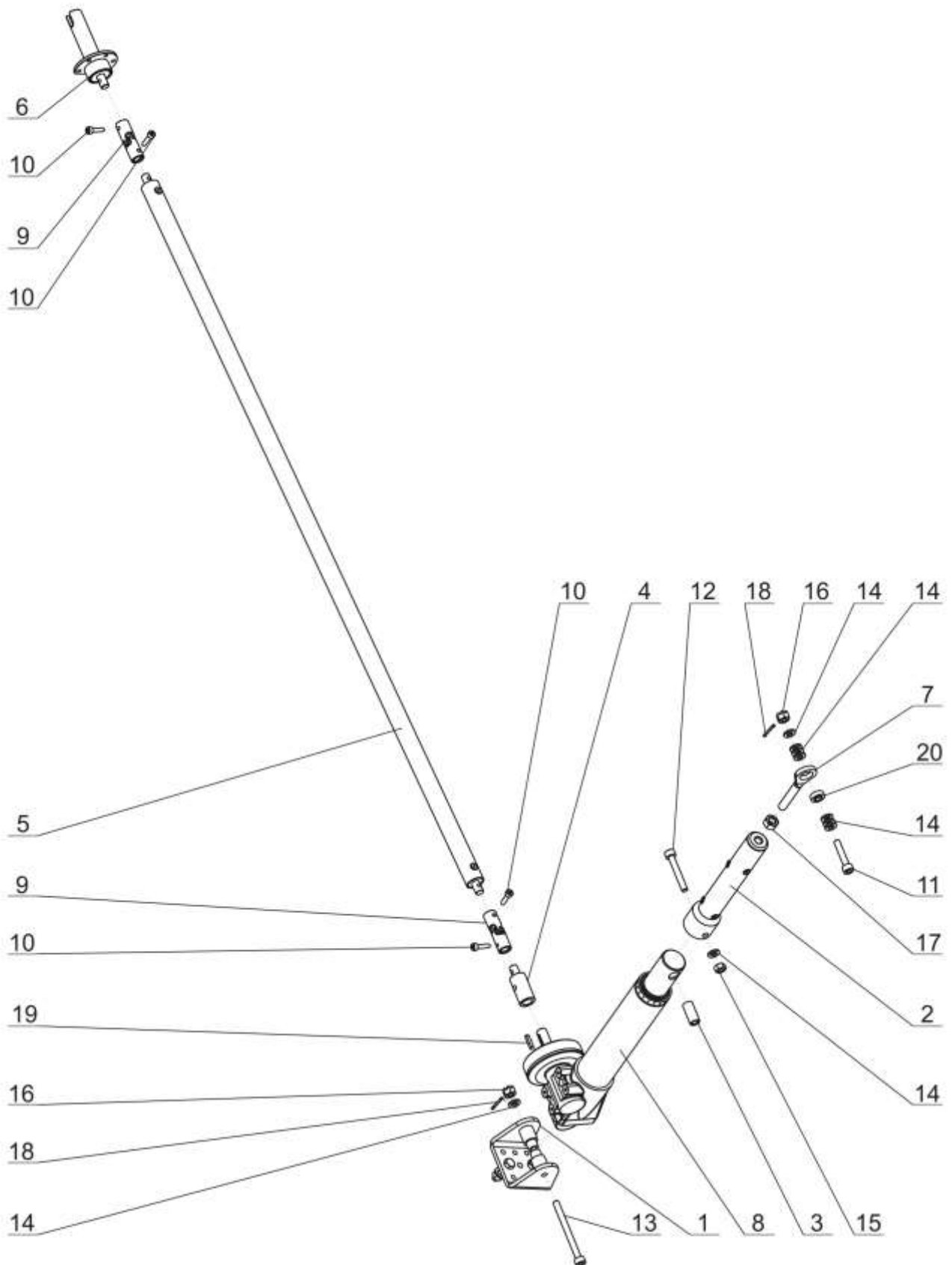
|                                                                                     |                     |                   |                                |                   |
|-------------------------------------------------------------------------------------|---------------------|-------------------|--------------------------------|-------------------|
|  | Material / materiál | Part name / název |                                |                   |
|                                                                                     | -                   | Flaps drive       |                                |                   |
| Name of designer / navrh                                                            | Ing Martin Zahálka  | Weight / hmotnost | kg                             | Page / list 1 / 3 |
| Date of issue / datum vydání                                                        | 26.2.2010           | Scale / měřítko   | Drawing number / číslo výkresu |                   |
| Revision / změna                                                                    |                     | S540_000_00-1     |                                |                   |
| Date of revision / datum změny                                                      |                     |                   |                                |                   |
| Pcs. / kusů                                                                         | 1                   |                   |                                |                   |




|                                                                                     |                          |                    |  |                 |                                |             |             |
|-------------------------------------------------------------------------------------|--------------------------|--------------------|--|-----------------|--------------------------------|-------------|-------------|
|  | Material / materiál      | -                  |  |                 | Part name / název              | Flaps drive |             |
|                                                                                     | Name of designer / navrh | Ing Martin Zahálka |  |                 | Weight / hmotnost              | kg          | Page / list |
| Date of issue / datum vydání                                                        | 26.2.2010                |                    |  | Scale / měřítko | Drawing number / číslo výkresu |             |             |
| Revision / změna                                                                    |                          |                    |  | S540_000_00-1   |                                |             |             |
| Date of revision / datum změny                                                      |                          |                    |  |                 |                                |             |             |
| Pcs. / kusů                                                                         | 1                        |                    |  |                 |                                |             |             |


|             |                             |                           |                                |
|-------------|-----------------------------|---------------------------|--------------------------------|
| 6           | Nut VM 5                    |                           | DIN 980                        |
| 5           | Washer M5                   |                           | ČSN 02 1721                    |
| 4           | Screw M5 x 27               |                           | DIN 912                        |
| 3           | Right wing flaps drive      |                           | s543_000_00-1                  |
| 2           | Flaps drive in the fuselage |                           | s542_000_00-1                  |
| 1           | Left wing flaps drive       |                           | s541_000_00-1                  |
| Pos. / poz. | Assembly / sestava          | Sub assembly / podsestava | Drawing number / číslo výkresu |

|                                                                                     |                     |                   |                                |
|-------------------------------------------------------------------------------------|---------------------|-------------------|--------------------------------|
|  | Material / materiál | Part name / název |                                |
|                                                                                     |                     | Flaps drive       |                                |
| Name of designer / navrh                                                            | Ing Martin Zahálka  | Weight / hmotnost | kg                             |
| Date of issue / datum vydání                                                        | 26.2.2010           | Page / list       | 3/3                            |
| Revision / změna                                                                    |                     | Scale / měřítko   | Drawing number / číslo výkresu |
| Date of revision / datum změny                                                      |                     |                   | S540_000_00-1                  |
| Pcs. / kusů                                                                         | 1                   |                   |                                |

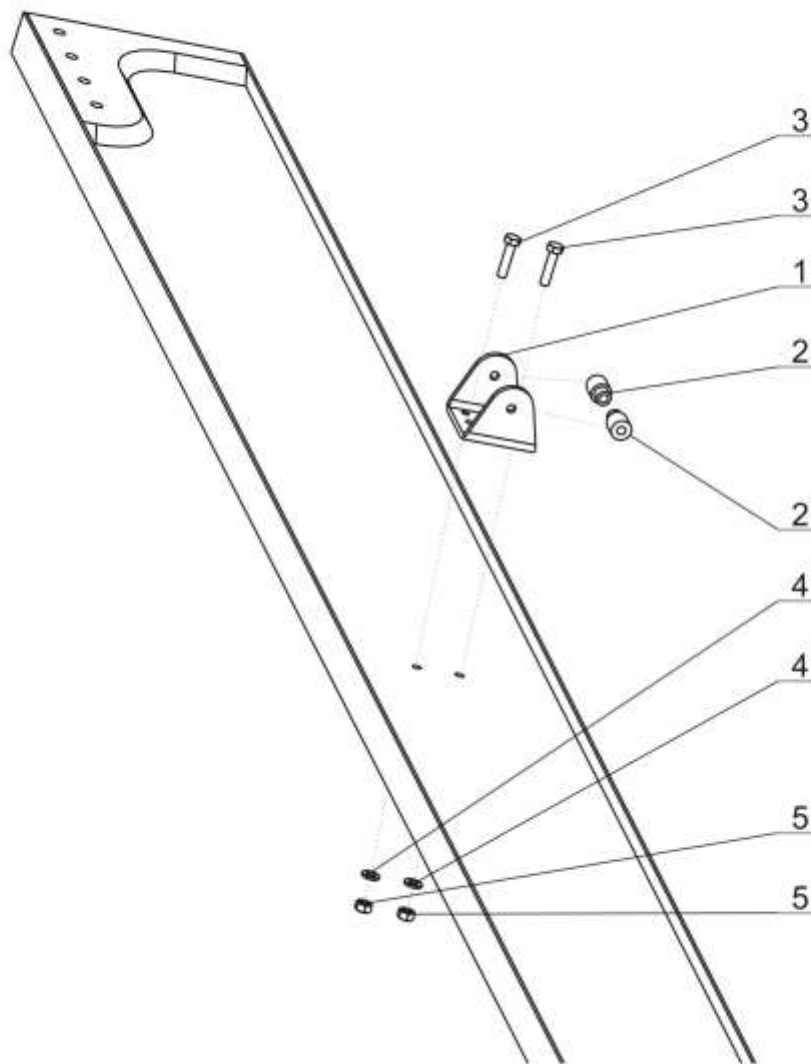


|                                                                                     |                     |                              |                                |             |
|-------------------------------------------------------------------------------------|---------------------|------------------------------|--------------------------------|-------------|
|  | Material / materiál | Part name / název            |                                |             |
|                                                                                     |                     | <b>Left wing flaps drive</b> |                                |             |
| Name of designer / navrh                                                            | Ing Martin Zahálka  | Weight / hmotnost            | kg                             | Page / list |
| Date of issue / datum vydání                                                        | 26.2.2010           | Scale / měřítko              | Drawing number / číslo výkresu |             |
| Revision / změna                                                                    |                     | <b>S541_000_00-1</b>         |                                |             |
| Date of revision / datum změny                                                      |                     |                              |                                |             |
| Pcs. / kusů                                                                         | 1                   |                              |                                |             |


|             |                              |                           |                                |
|-------------|------------------------------|---------------------------|--------------------------------|
| 20          | Bearing 6                    |                           | ČSN 02 3512                    |
| 19          | Parallel keys 3 x 3 x 16     |                           | ČSN 02 2562                    |
| 18          | Cotter pin 1,6               |                           | ČSN 02 1781                    |
| 17          | Nut M8                       |                           | ISO 4032                       |
| 16          | Castle nut M6                |                           | ČSN 02 1411                    |
| 15          | Nut VM 6                     |                           | DIN 980                        |
| 14          | Washer M6                    |                           | ČSN 02 1721                    |
| 13          | Screw M6 x 68                |                           | DIN 912                        |
| 12          | Screw M6 x 40                |                           | DIN 912                        |
| 11          | Screw M6 x 30                |                           | DIN 912                        |
| 10          | Screw M4 x 15                |                           | DIN 912                        |
| 9           | Univerzal joint              |                           | KE 63001300                    |
| 8           | Gear box                     |                           | SX0575-X0967-TypM07            |
| 7           | Adjustable eye M8            |                           | s590_300_00-1                  |
| 6           | Root rib flaps drive attach. |                           | s541_600_00-1                  |
| 5           | Torque tube assembly         |                           | s541_500_00-1                  |
| 4           | Gear box and cardan joint    |                           | s541_400_00-1                  |
| 3           | Servo engine piston case     |                           | s541_300_00-1                  |
| 2           | Flaps pullrod assembly       |                           | s541_200_00-1                  |
| 1           | Flaps drive attachement      |                           | s541_100_00-1                  |
| Pos. / poz. | Assembly / sestava           | Sub assembly / podsestava | Drawing number / číslo výkresu |

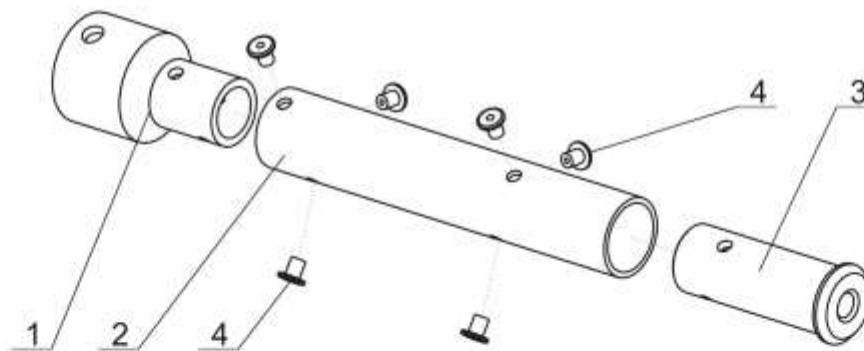
|                                                                                     |                     |                       |                                |
|-------------------------------------------------------------------------------------|---------------------|-----------------------|--------------------------------|
|  | Material / materiál | Part name / název     |                                |
|                                                                                     |                     | Left wing flaps drive |                                |
| Name of designer / navrh                                                            | Ing Martin Zahálka  | Weight / hmotnost     | kg                             |
| Date of issue / datum vydání                                                        | 26.2.2010           | Page / list           | 2/2                            |
| Revision / změna                                                                    |                     | Scale / měřítko       | Drawing number / číslo výkresu |
| Date of revision / datum změny                                                      |                     |                       | S541_000_00-1                  |
| Pcs. / kusů                                                                         | 1                   |                       |                                |






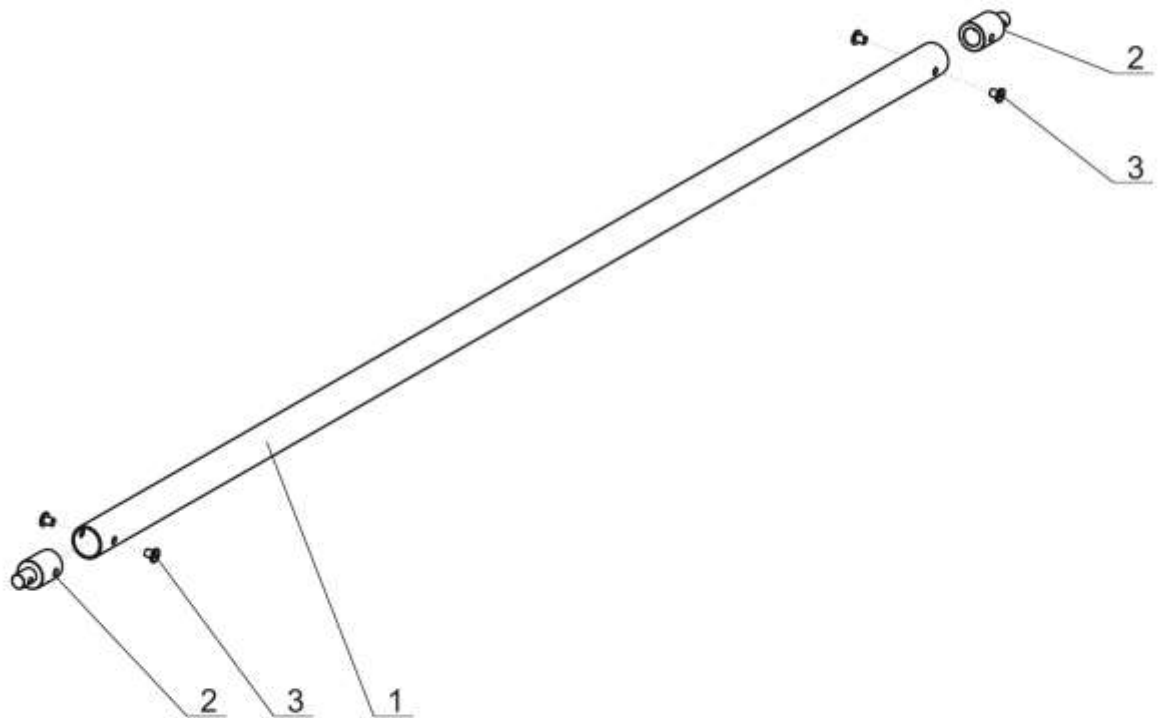
|             |                          |                           |                                |
|-------------|--------------------------|---------------------------|--------------------------------|
| 5           | Nut VM 6                 |                           | DIN 980                        |
| 4           | Washer M6                |                           | ČSN 02 1721                    |
| 3           | Screw M6 x 25            |                           | DIN 912                        |
| 2           | Flap servo distance case |                           | s541_120_00-1                  |
| 1           | Flap drive "U" attach.   |                           | s541_110_00-1                  |
| Pos. / poz. | Assembly / sestava       | Sub assembly / podsestava | Drawing number / číslo výkresu |

|                                                                                     |                     |                                |                                |
|-------------------------------------------------------------------------------------|---------------------|--------------------------------|--------------------------------|
|  | Material / materiál | Part name / název              |                                |
|                                                                                     |                     | <b>Flaps drive attachement</b> |                                |
| Name of designer / navrh                                                            | Ing Martin Zahálka  | Weight / hmotnost              | kg                             |
| Date of issue / datum vydání                                                        | 26.2.2010           | Page / list                    | 1/1                            |
| Revision / změna                                                                    |                     | Scale / měřítko                | Drawing number / číslo výkresu |
| Date of revision / datum změny                                                      |                     |                                | <b>S541_100_00-1</b>           |
| Pcs. / kusů                                                                         | 2                   |                                |                                |




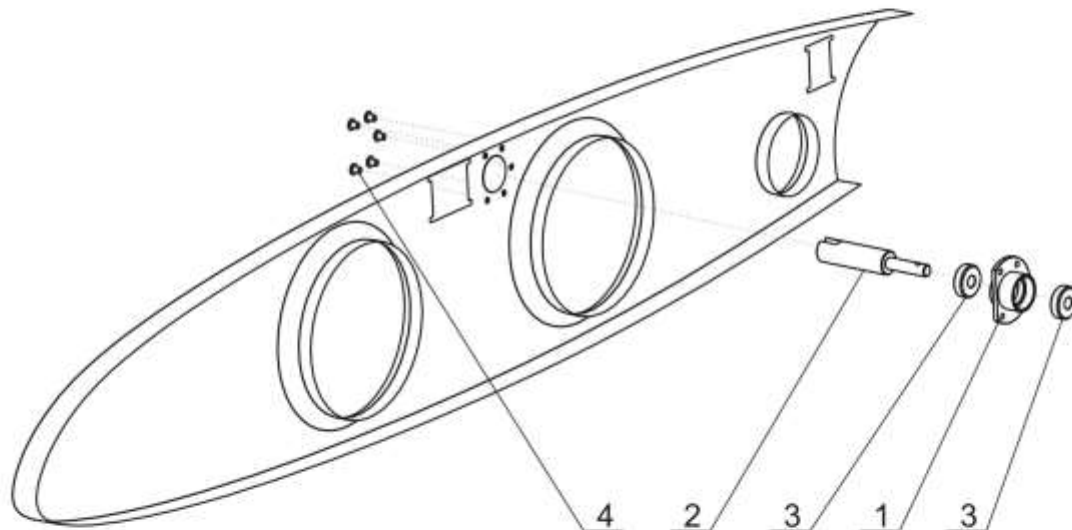
|             |                        |                           |                                |
|-------------|------------------------|---------------------------|--------------------------------|
| 4           | Rivet Fe Ø 5 x 14      |                           | DIN 7337                       |
| 3           | Thread insert 22 - 1,5 |                           | s590_200_00-1                  |
| 2           | Flaps pullrod          |                           | TR 22x1,5 - 120(42 4201.61)    |
| 1           | Flap control joint     |                           | s541_210_00-1                  |
| Pos. / poz. | Assembly / sestava     | Sub assembly / podsestava | Drawing number / číslo výkresu |

|                                                                                     |                     |                        |                                |
|-------------------------------------------------------------------------------------|---------------------|------------------------|--------------------------------|
|  | Material / materiál | Part name / název      |                                |
|                                                                                     | -                   | Flaps pullrod assembly |                                |
| Name of designer / navrh                                                            | Ing Martin Zahálka  | Weight / hmotnost      | kg                             |
| Date of issue / datum vydání                                                        | 26.2.2010           | Page / list            | 1/1                            |
| Revision / změna                                                                    |                     | Scale / měřítko        | Drawing number / číslo výkresu |
| Date of revision / datum změny                                                      |                     |                        | S541_200_00-1                  |
| Pcs. / kusů                                                                         | 2                   |                        |                                |




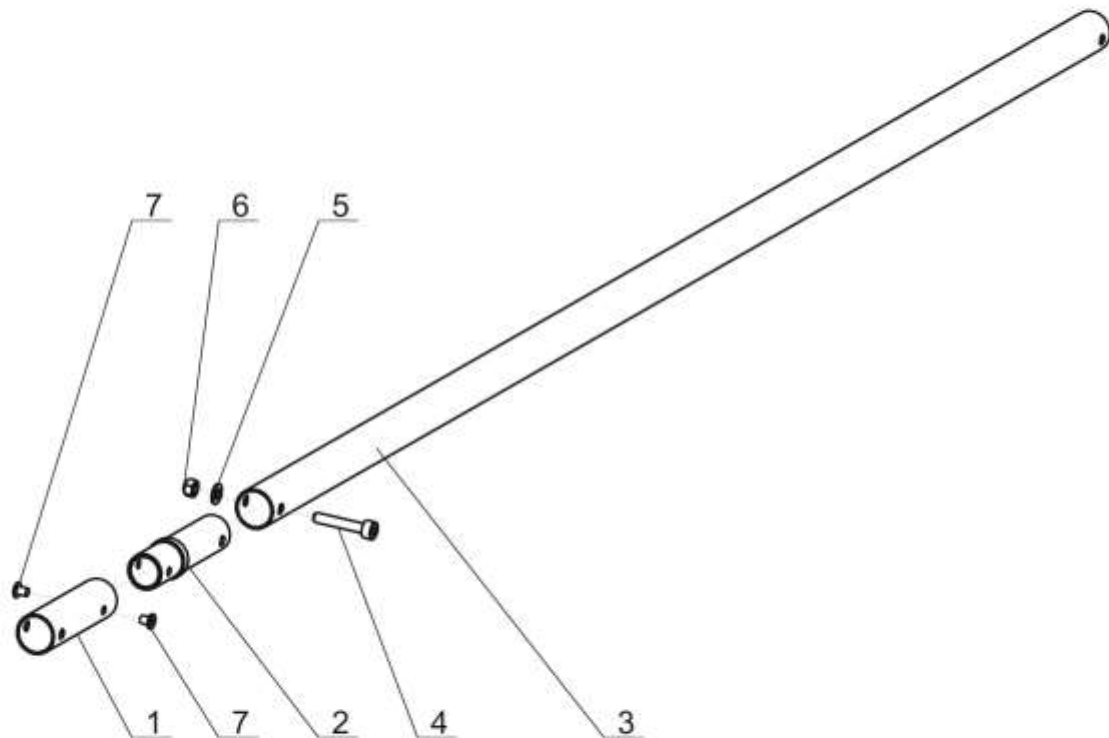
|             |                        |                           |                                |
|-------------|------------------------|---------------------------|--------------------------------|
| 3           | Rivet Fe Ø 5 x 14      |                           | DIN 7337                       |
| 2           | Torque tube connection |                           | s541_510_00-1                  |
| 1           | Torque tube            |                           | TR 18x1 - 850 (42 4201.61)     |
| Pos. / poz. | Assembly / sestava     | Sub assembly / podsestava | Drawing number / číslo výkresu |

|                                                                                     |                     |                      |                                |
|-------------------------------------------------------------------------------------|---------------------|----------------------|--------------------------------|
|  | Material / materiál | Part name / název    |                                |
|                                                                                     | -                   | Torque tube assembly |                                |
| Name of designer / navrh                                                            | Ing Martin Zahálka  | Weight / hmotnost    | kg                             |
| Date of issue / datum vydání                                                        | 26.2.2010           | Page / list          | 1/1                            |
| Revision / změna                                                                    |                     | Scale / měřítko      | Drawing number / číslo výkresu |
| Date of revision / datum změny                                                      |                     |                      | S541_500_00-1                  |
| Pcs. / kusů                                                                         | 2                   |                      |                                |




|             |                    |                           |                                |
|-------------|--------------------|---------------------------|--------------------------------|
| 4           | Rivet Fe Ø 4 x 10  |                           | DIN 7337                       |
| 3           | Ball bearing       |                           | ZKL 608                        |
| 2           | Flap drive tenon   |                           | s541_620_00-1                  |
| 1           | Flap bearing house |                           | s541_610_00-1                  |
| Pos. / poz. | Assembly / sestava | Sub assembly / podsestava | Drawing number / číslo výkresu |

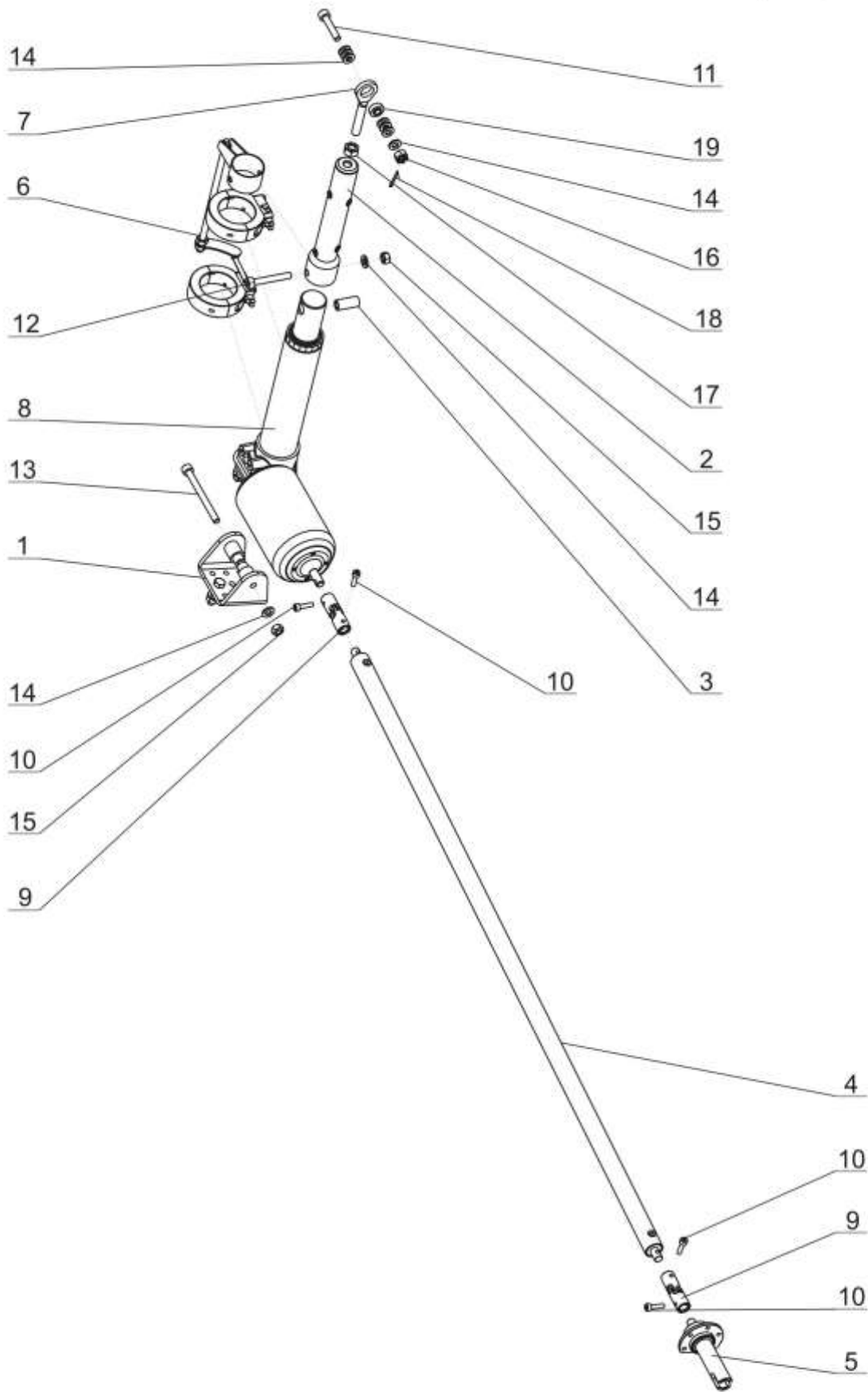
|                                                                                     |                     |                                 |                                |
|-------------------------------------------------------------------------------------|---------------------|---------------------------------|--------------------------------|
|  | Material / materiál | Part name / název               |                                |
|                                                                                     |                     | Root rib flaps drive attachment |                                |
| Name of designer / navrh                                                            | Ing Martin Zahálka  | Weight / hmotnost               | kg                             |
| Date of issue / datum vydání                                                        | 26.2.2010           | Page / list                     | 1/1                            |
| Revision / změna                                                                    |                     | Scale / měřítko                 | Drawing number / číslo výkresu |
| Date of revision / datum změny                                                      |                     | S541_600_00-1                   |                                |
| Pcs. / kusů                                                                         | 2                   |                                 |                                |




|             |                                  |                           |                                |
|-------------|----------------------------------|---------------------------|--------------------------------|
| 7           | Rivet Fe Ø 4 x 10                |                           | DIN 7337                       |
| 6           | Nut VM5                          |                           | DIN 980                        |
| 5           | Washer M5                        |                           | ČSN 02 1721                    |
| 4           | Screw M5 x 27                    |                           | DIN 912                        |
| 3           | Long tube                        |                           | TR 20x1 - 960(42 4201.61)      |
| 2           | Flap drive joint in the fuselage |                           | s542_200_00-1                  |
| 1           | Short tube                       |                           | TR 20x1 - 72(42 4201.61)       |
| Pos. / poz. | Assembly / sestava               | Sub assembly / podsestava | Drawing number / číslo výkresu |


|                                                                                     |                     |                             |                                |
|-------------------------------------------------------------------------------------|---------------------|-----------------------------|--------------------------------|
|  | Material / materiál | Part name / název           |                                |
|                                                                                     | -                   | Flaps drive in the fuselage |                                |
| Name of designer / navrh                                                            | Ing Martin Zahálka  | Weight / hmotnost           | kg                             |
| Date of issue / datum vydání                                                        | 26.2.2010           | Page / list                 | 1/1                            |
| Revision / změna                                                                    |                     | Scale / měřítko             | Drawing number / číslo výkresu |
| Date of revision / datum změny                                                      |                     |                             | S542_000_00-1                  |
| Pcs. / kusů                                                                         | 1                   |                             |                                |

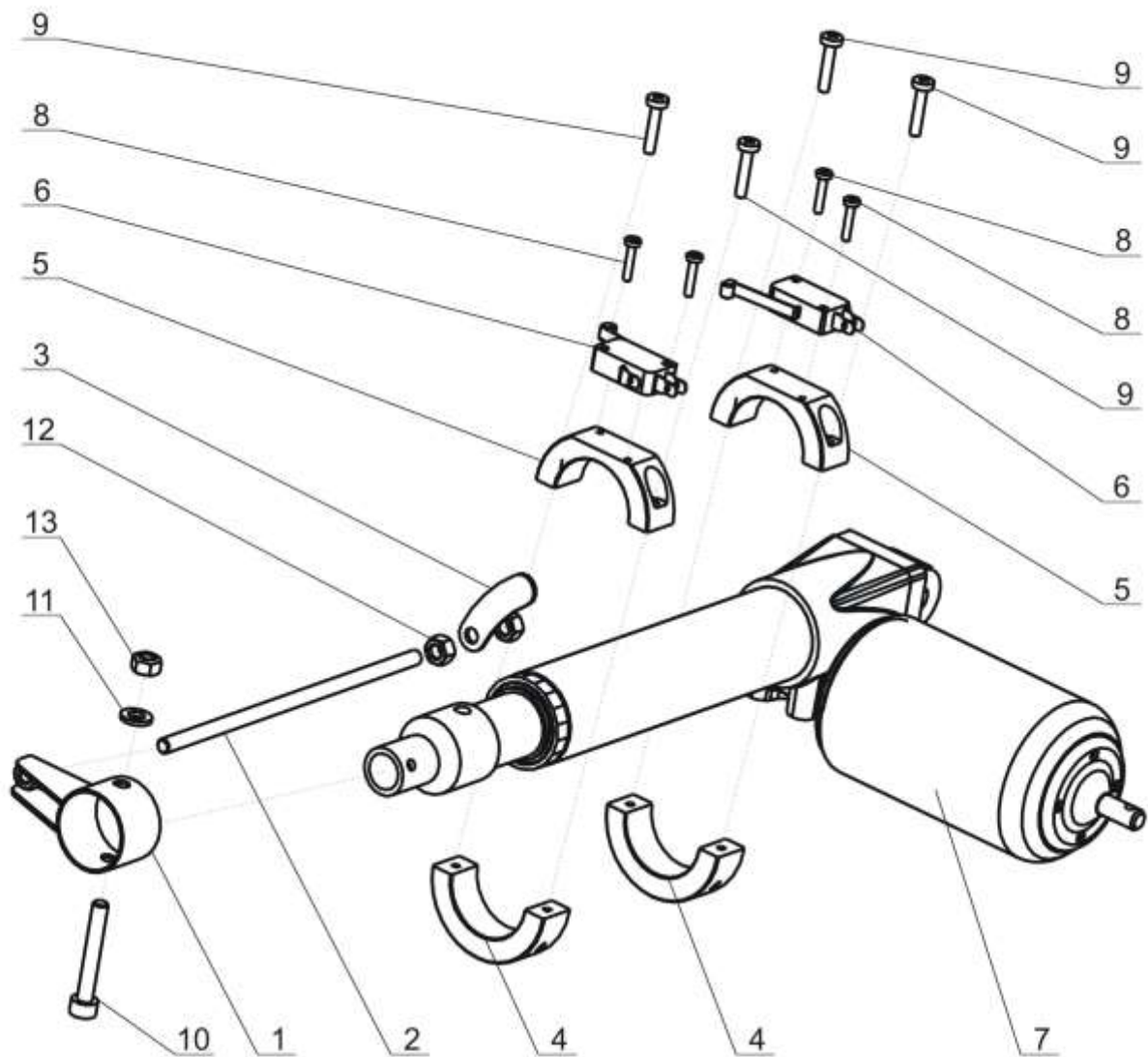




|                                                                                     |                     |                               |                                |             |
|-------------------------------------------------------------------------------------|---------------------|-------------------------------|--------------------------------|-------------|
|  | Material / materiál | Part name / název             |                                |             |
|                                                                                     |                     | <b>Right wing flaps drive</b> |                                |             |
| Name of designer / navrhl                                                           | Ing Martin Zahálka  | Weight / hmotnost             | kg                             | Page / list |
| Date of issue / datum vydání                                                        | 26.2.2010           | Scale / měřítko               | Drawing number / číslo výkresu |             |
| Revision / změna                                                                    |                     | <b>S543_000_00-1</b>          |                                |             |
| Date of revision / datum změny                                                      |                     |                               |                                |             |
| Pcs. / kusů                                                                         | 1                   |                               |                                |             |

|             |                              |                           |                                |
|-------------|------------------------------|---------------------------|--------------------------------|
| 19          | Bearing 6                    |                           | ČSN 02 3512                    |
| 18          | Cotter pin 1,6               |                           | ČSN 02 1781                    |
| 17          | Nut M8                       |                           | ISO 4032                       |
| 16          | Castle nut M6                |                           | ČSN 02 1411                    |
| 15          | Nut VM 6                     |                           | DIN 980                        |
| 14          | Washer M6                    |                           | ČSN 02 1721                    |
| 13          | Screw M6 x 68                |                           | DIN 912                        |
| 12          | Screw M6 x 40                |                           | DIN 912                        |
| 11          | Screw M6 x 30                |                           | DIN 912                        |
| 10          | Screw M4 x 15                |                           | DIN 912                        |
| 9           | Universal joint              |                           | KE 63001300                    |
| 8           | Servo engine                 |                           | ALI 2FCM-I = 100 - Typ M07     |
| 7           | Adjustable eye M8            |                           | s590_300_00-1                  |
| 6           | Ending stop assembly         |                           | s543_100_00-1                  |
| 5           | Root rib flaps drive attach. |                           | s541_600_00-1                  |
| 4           | Torque tube assembly         |                           | s541_500_00-1                  |
| 3           | Servo engine piston case     |                           | s541_300_00-1                  |
| 2           | Flaps pullrod assembly       |                           | s541_200_00-1                  |
| 1           | Flaps drive attachment       |                           | s541_100_00-1                  |
| Pos. / poz. | Assembly / sestava           | Sub assembly / podsestava | Drawing number / číslo výkresu |

|                                                                                     |                     |                        |                                |
|-------------------------------------------------------------------------------------|---------------------|------------------------|--------------------------------|
|  | Material / materiál | Part name / název      |                                |
|                                                                                     |                     | Right wing flaps drive |                                |
| Name of designer / navrh                                                            | Ing Martin Zahálka  | Weight / hmotnost      | kg                             |
| Date of issue / datum vydání                                                        | 26.2.2010           | Page / list            | 2/2                            |
| Revision / změna                                                                    |                     | Scale / měřítko        | Drawing number / číslo výkresu |
| Date of revision / datum změny                                                      |                     |                        | S543_000_00-1                  |
| Pcs. / kusů                                                                         | 1                   |                        |                                |



|             |                           |                           |                                |
|-------------|---------------------------|---------------------------|--------------------------------|
| 13          | Nut M6                    |                           | ISO 4032                       |
| 12          | Nut VM 6                  |                           | DIN 980                        |
| 11          | Washer M6                 |                           | ČSN 02 1721                    |
| 10          | Screw M6 x 40             |                           | DIN 912                        |
| 9           | Screw M4 x 20             |                           | DIN 7985                       |
| 8           | Screw M3 x 15             |                           | DIN 7985                       |
| 7           | Servo engine              |                           | ALI 2FCM-I = 100 - Typ M07     |
| 6           | Microswitch               |                           | ZIPPY VM5                      |
| 5           | Bottom holder for microsw |                           | s541_150_00-1                  |
| 4           | Upper holder for microsw. |                           | s543_140_00-1                  |
| 3           | Ending stop plate         |                           | s543_130_00-1                  |
| 2           | Ending stop beam          |                           | s543_120_00-1                  |
| 1           | Ending stop holder        |                           | s543_110_00-1                  |
| Pos. / poz. | Assembly / sestava        | Sub assembly / podsestava | Drawing number / číslo výkresu |



Material / materiál

-

Part name / název

Ending stop assembly

Name of designer / navrh

Ing Martin Zahálka

Date of issue / datum vydání

26.2.2010

Weight / hmotnost

kg

Page / list

1 / 1

Revision / změna

Scale / měřítko

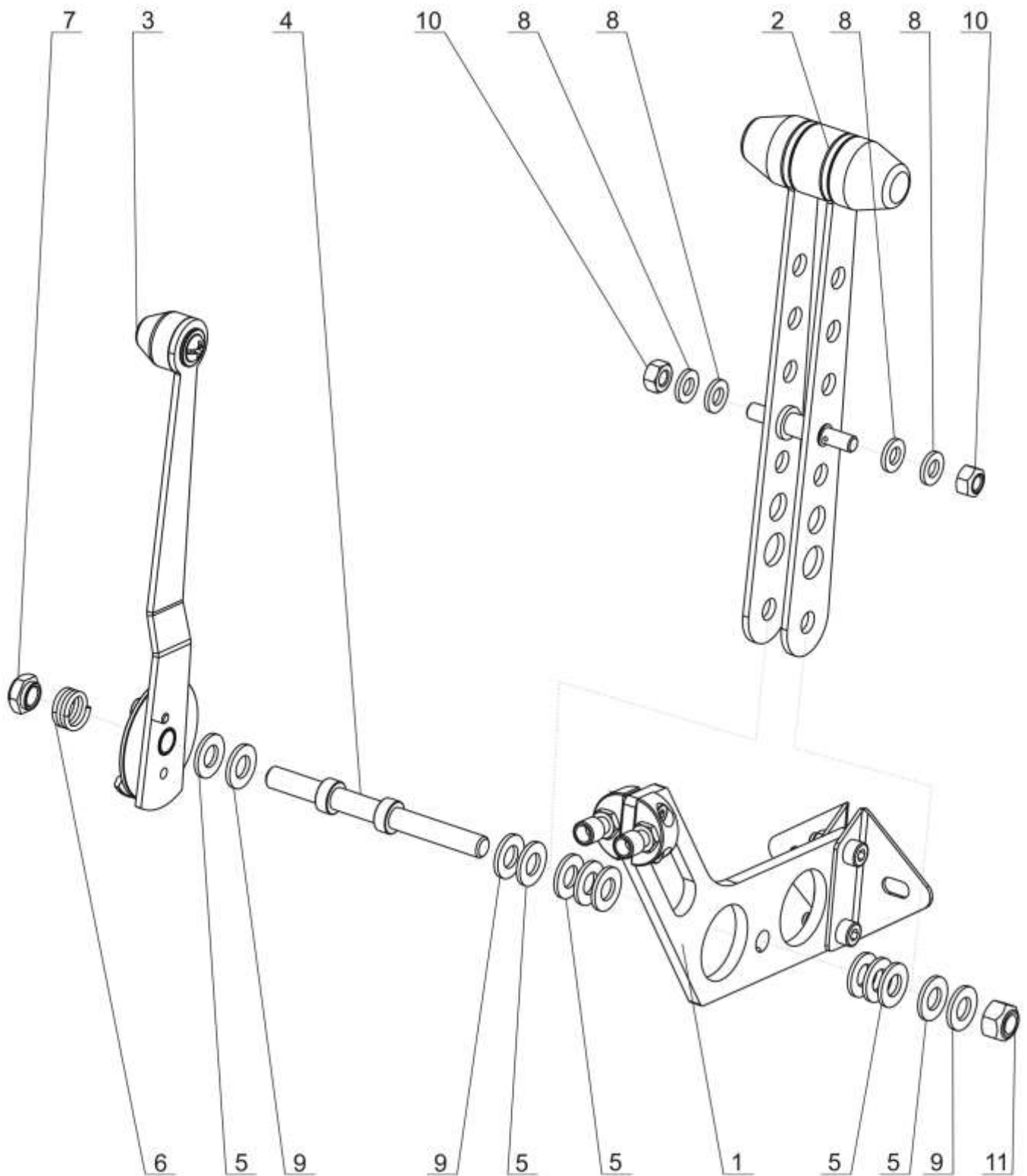
Drawing number / číslo výkresu


Date of revision / datum změny

S543\_100\_00-1

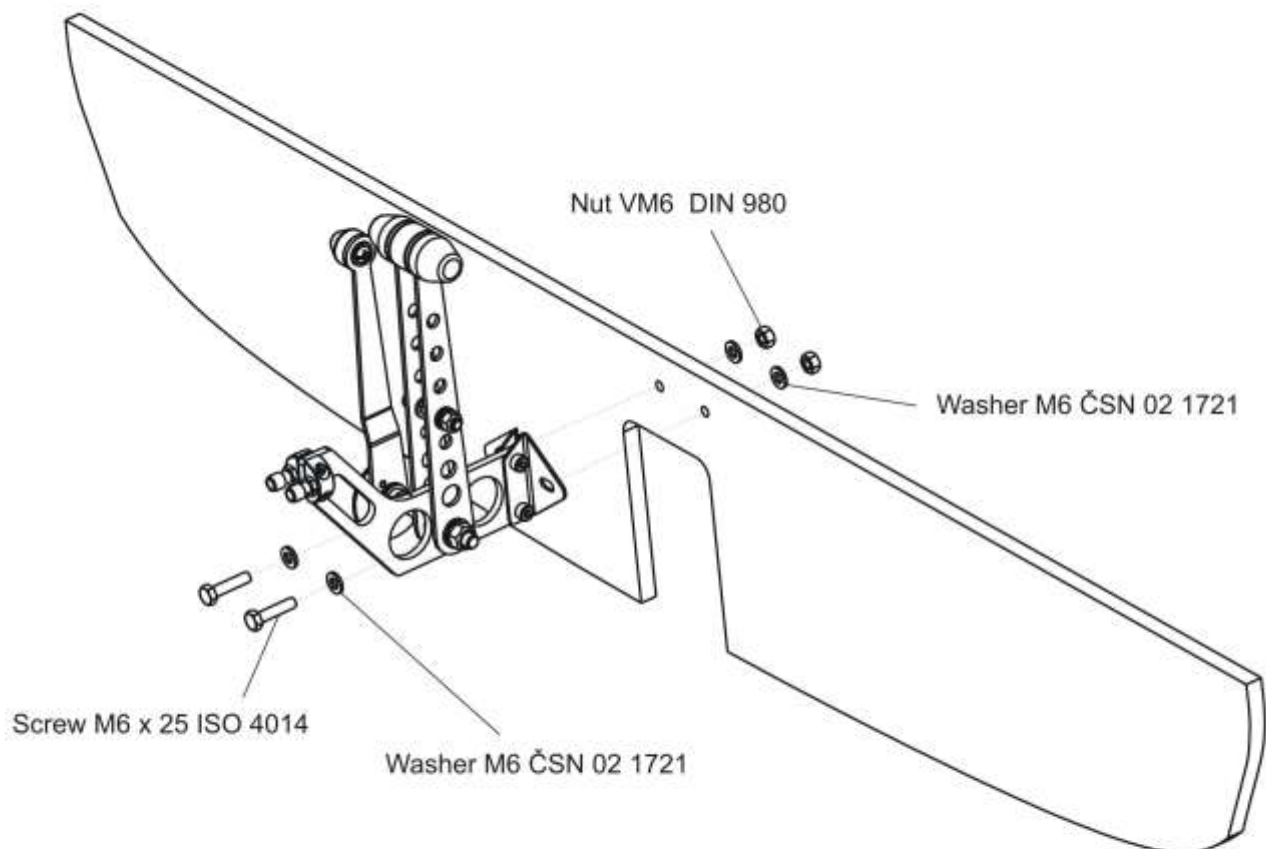
Pcs. / kusů

1




|                                                                                     |                          |                    |  |                 |                                |    |                          |  |
|-------------------------------------------------------------------------------------|--------------------------|--------------------|--|-----------------|--------------------------------|----|--------------------------|--|
|  | Material / materiál      | -                  |  |                 | Part name / název              |    | Throttle and trim system |  |
|                                                                                     | Name of designer / návrh | Ing Martin Zahálka |  |                 | Weight / hmotnost              | kg |                          |  |
| Date of issue / datum vydání                                                        | 26.2.2010                |                    |  | Scale / měřítko | Drawing number / číslo výkresu |    |                          |  |
| Revision / změna                                                                    |                          |                    |  | S550_000_00-1   |                                |    |                          |  |
| Date of revision / datum změny                                                      |                          |                    |  |                 |                                |    |                          |  |
| Pcs. / kusů                                                                         | -                        |                    |  |                 |                                |    |                          |  |

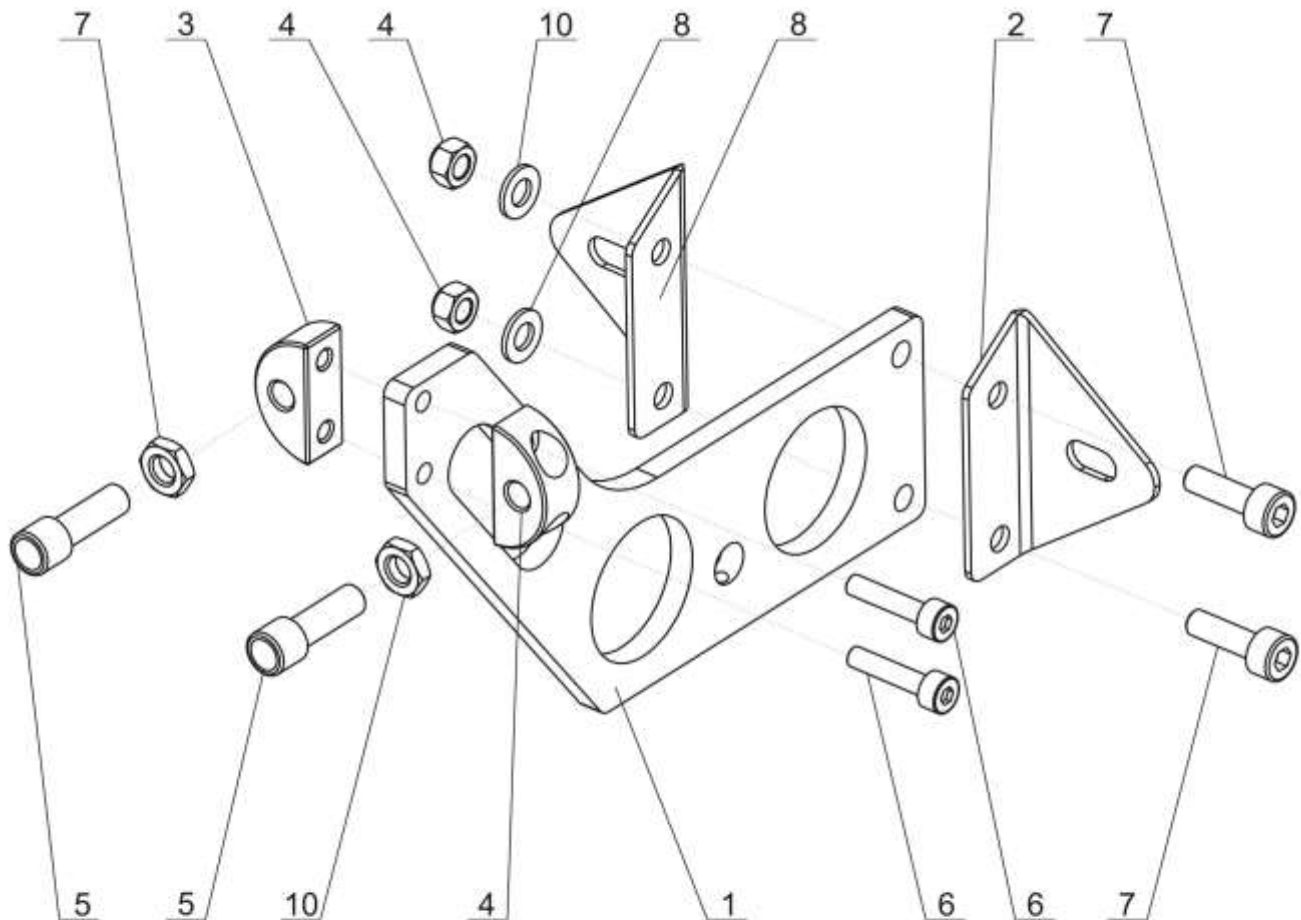





|             |                            |                           |                                |
|-------------|----------------------------|---------------------------|--------------------------------|
| 11          | Nut VM 8                   |                           | DIN 980                        |
| 10          | Nut VM 6                   |                           | DIN 980                        |
| 9           | Washer M8                  |                           | ČSN 02 1721                    |
| 8           | Washer M6                  |                           | ČSN 02 1721                    |
| 7           | Throttle lever nut         |                           | s557_000_00-1                  |
| 6           | Throttle lever spring      |                           | s556_000_00-1                  |
| 5           | Thr. lever distance washer |                           | s555_000_00-1                  |
| 4           | Throttle lever axis        |                           | s554_000_00-1                  |
| 3           | Trim lever assembly        |                           | s553_000_00-1                  |
| 2           | Throttle lever assembly    |                           | s552_000_00-1                  |
| 1           | Console assembly           |                           | s551_000_00-1                  |
| Pos. / poz. | Assembly / sestava         | Sub assembly / podsestava | Drawing number / číslo výkresu |

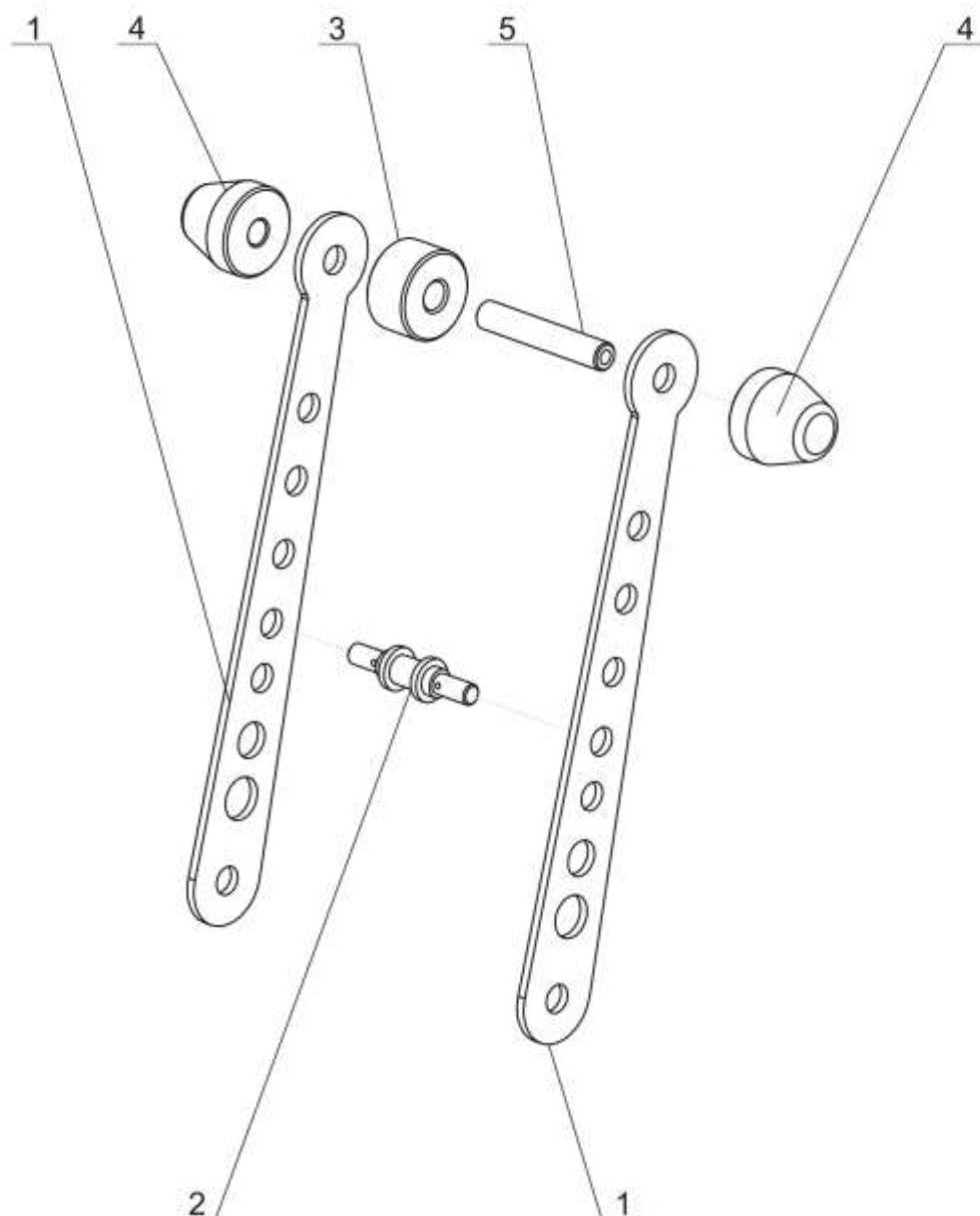
|                                                                                     |                     |                          |                                |
|-------------------------------------------------------------------------------------|---------------------|--------------------------|--------------------------------|
|  | Material / materiál | Part name / název        |                                |
|                                                                                     | -                   | Throttle and trim system |                                |
| Name of designer / návrh                                                            | Ing Martin Zahálka  | Weight / hmotnost        | kg                             |
| Date of issue / datum vydání                                                        | 26.2.2010           | Page / list              | 2 / 2                          |
| Revision / změna                                                                    |                     | Scale / měřítko          | Drawing number / číslo výkresu |
| Date of revision / datum změny                                                      |                     |                          | S550_000_00-1                  |
| Pcs. / kusů                                                                         | -                   |                          |                                |






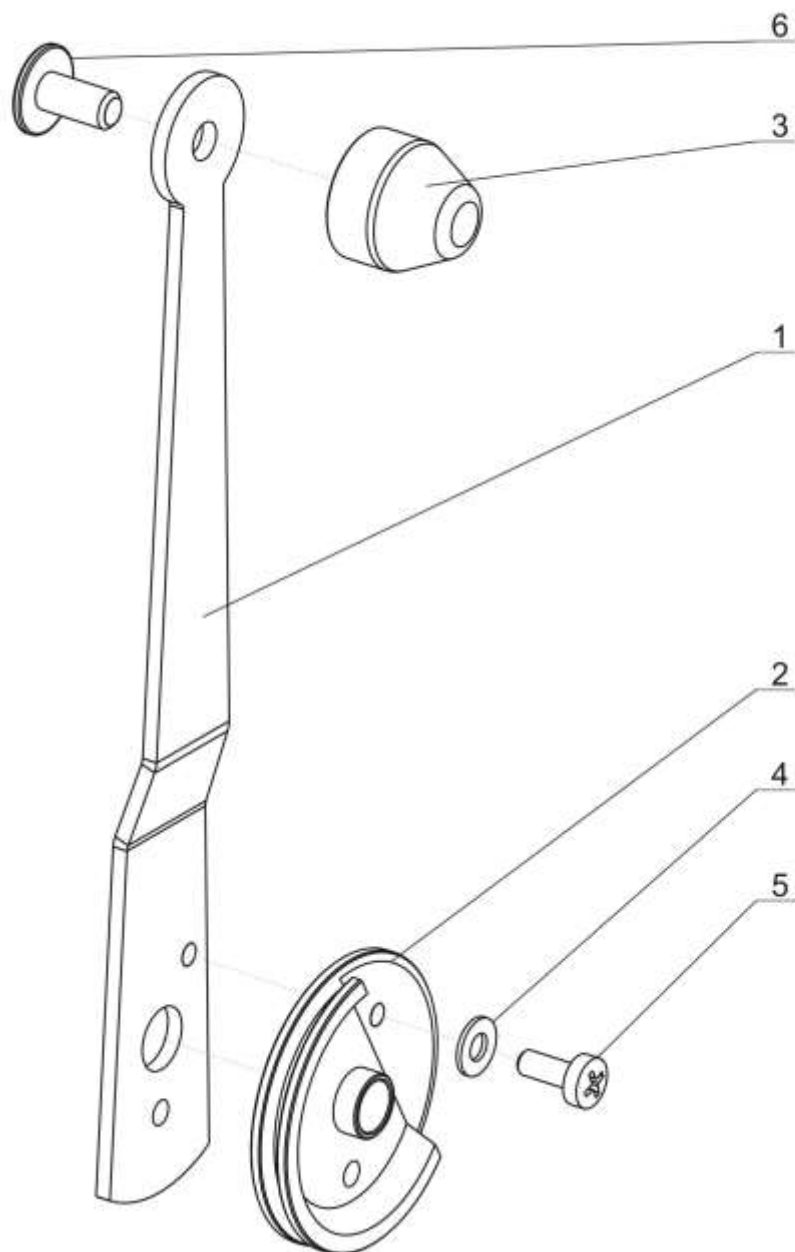
|             |                            |                           |                                |
|-------------|----------------------------|---------------------------|--------------------------------|
| 10          | Lower nut M 6              |                           | ISO 4035                       |
| 9           | Nut VM 5                   |                           | DIN 980                        |
| 8           | Washer M5                  |                           | ČSN 02 1721                    |
| 7           | Screw M5 x 16              |                           | DIN 912                        |
| 6           | Screw M4 x 18              |                           | DIN 912                        |
| 5           | Throttle bowden screw M6   |                           | s551_500_00-1                  |
| 4           | Throttle bowden holder - B |                           | s551_400_00-1                  |
| 3           | Throttle bowden holder - A |                           | s551_300_00-1                  |
| 2           | Throttle console holder    |                           | s551_200_00-1                  |
| 1           | Throttle console plate     |                           | s551_100_00-1                  |
| Pos. / poz. | Assembly / sestava         | Sub assembly / podsestava | Drawing number / číslo výkresu |

|                                                                                     |                     |                         |                                |
|-------------------------------------------------------------------------------------|---------------------|-------------------------|--------------------------------|
|  | Material / materiál | Part name / název       |                                |
|                                                                                     |                     | <b>Console assembly</b> |                                |
| Name of designer / návrh                                                            | Ing Martin Zahálka  | Weight / hmotnost       | kg                             |
| Date of issue / datum vydání                                                        | 26.2.2010           | Page / list             | 1 / 1                          |
| Revision / změna                                                                    |                     | Scale / měřítko         | Drawing number / číslo výkresu |
| Date of revision / datum změny                                                      |                     | <b>S551_000_00-1</b>    |                                |
| Pcs. / kusů                                                                         | -                   |                         |                                |




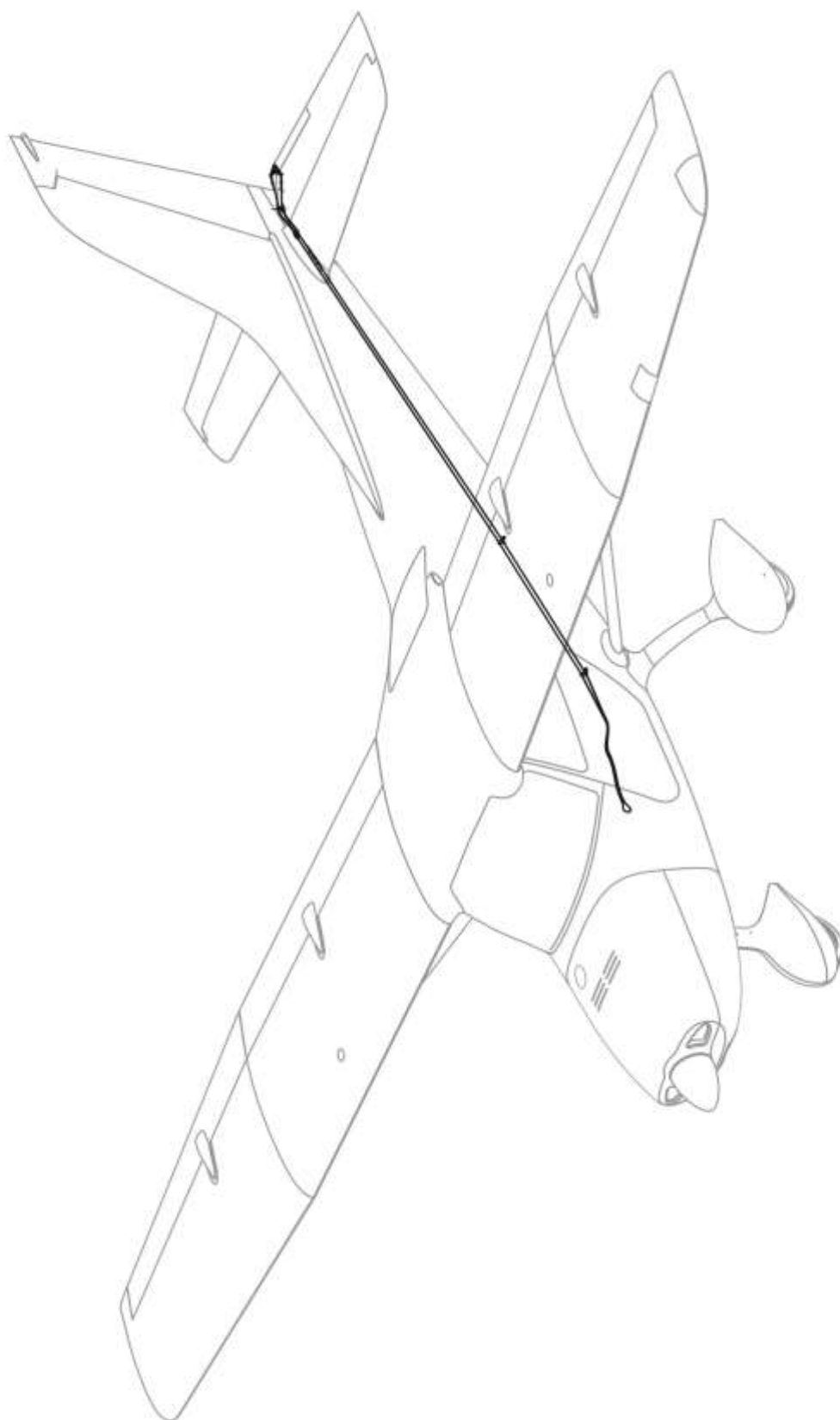
|             |                       |                           |                                |
|-------------|-----------------------|---------------------------|--------------------------------|
| 5           | Throttle handle screw |                           | s552_500_00-1                  |
| 4           | Throttle handle no. 2 |                           | s552_400_00-1                  |
| 3           | Throttle handle no. 1 |                           | s552_300_00-1                  |
| 2           | Attach. screw string  |                           | s552_200_00-1                  |
| 1           | Throttle lever plate  |                           | s552_100_00-1                  |
| Pos. / poz. | Assembly / sestava    | Sub assembly / podsestava | Drawing number / číslo výkresu |


|                                                                                     |                     |                         |                                |
|-------------------------------------------------------------------------------------|---------------------|-------------------------|--------------------------------|
|  | Material / materiál | Part name / název       |                                |
|                                                                                     | -                   | Throttle lever assembly |                                |
| Name of designer / navrh                                                            | Ing Martin Zahálka  | Weight / hmotnost       | kg                             |
| Date of issue / datum vydání                                                        | 26.2.2010           | Page / list             | 1 / 1                          |
| Revision / změna                                                                    |                     | Scale / měřítko         | Drawing number / číslo výkresu |
| Date of revision / datum změny                                                      |                     |                         | S552_000_00-1                  |
| Pcs. / kusů                                                                         | 1                   |                         |                                |

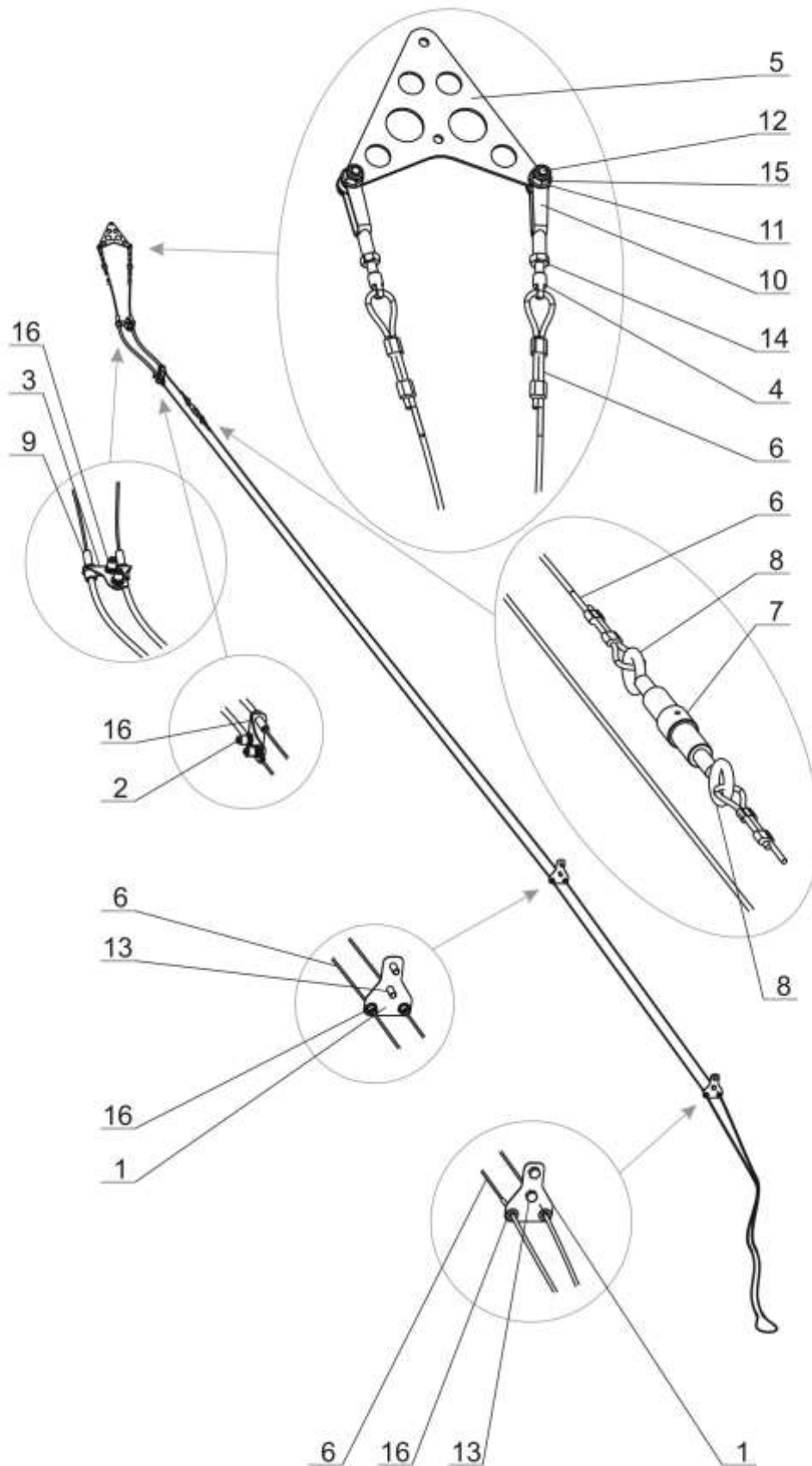



|             |                     |                           |                                |
|-------------|---------------------|---------------------------|--------------------------------|
| 6           | Screw M6 x 12       |                           | PN 02009                       |
| 5           | Screw M4 x 10       |                           | 7985 Zn                        |
| 4           | Washer M4           |                           | ČSN 02 1721                    |
| 3           | Trim handle         |                           | s553_300_00-1                  |
| 2           | Trim control pulley |                           | s553_200_00-1                  |
| 1           | Trim lever plate    |                           | s553_100_00-1                  |
| Pos. / poz. | Assembly / sestava  | Sub assembly / podsestava | Drawing number / číslo výkresu |

|                                                                                     |                     |                     |                                |
|-------------------------------------------------------------------------------------|---------------------|---------------------|--------------------------------|
|  | Material / materiál | Part name / název   |                                |
|                                                                                     | -                   | Trim lever assembly |                                |
| Name of designer / návrh                                                            | Ing Martin Zahálka  | Weight / hmotnost   | kg                             |
| Date of issue / datum vydání                                                        | 26.2.2010           | Page / list         | 1 / 1                          |
| Revision / změna                                                                    |                     | Scale / měřítko     | Drawing number / číslo výkresu |
| Date of revision / datum změny                                                      |                     |                     | S553_000_00-1                  |
| Pcs. / kusů                                                                         | 1                   |                     |                                |




|                                                                                     |                     |                   |                                |                   |
|-------------------------------------------------------------------------------------|---------------------|-------------------|--------------------------------|-------------------|
|  | Material / materiál | Part name / název |                                |                   |
|                                                                                     | -                   | Trim system       |                                |                   |
| Name of designer / navrh                                                            | Ing Martin Zahálka  | Weight / hmotnost | kg                             | Page / list 1 / 3 |
| Date of issue / datum vydání                                                        | 26.2.2010           | Scale / měřítko   | Drawing number / číslo výkresu |                   |
| Revision / změna                                                                    |                     | S560_000_00-1     |                                |                   |
| Date of revision / datum změny                                                      |                     |                   |                                |                   |
| Pcs. / kusů                                                                         | 1                   |                   |                                |                   |



|                                                                                     |                          |                    |  |                 |                                |             |             |
|-------------------------------------------------------------------------------------|--------------------------|--------------------|--|-----------------|--------------------------------|-------------|-------------|
|  | Material / materiál      | -                  |  |                 | Part name / název              | Trim system |             |
|                                                                                     | Name of designer / navrh | Ing Martin Zahálka |  |                 | Weight / hmotnost              | kg          | Page / list |
| Date of issue / datum vydání                                                        | 26.2.2010                |                    |  | Scale / měřítko | Drawing number / číslo výkresu |             |             |
| Revision / změna                                                                    |                          |                    |  | S560_000_00-1   |                                |             |             |
| Date of revision / datum změny                                                      |                          |                    |  |                 |                                |             |             |
| Pcs. / kusů                                                                         | 1                        |                    |  |                 |                                |             |             |

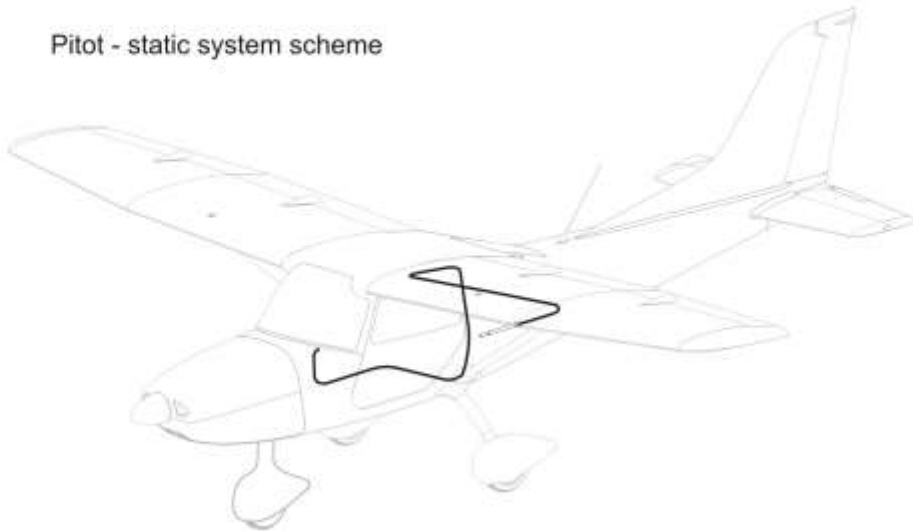
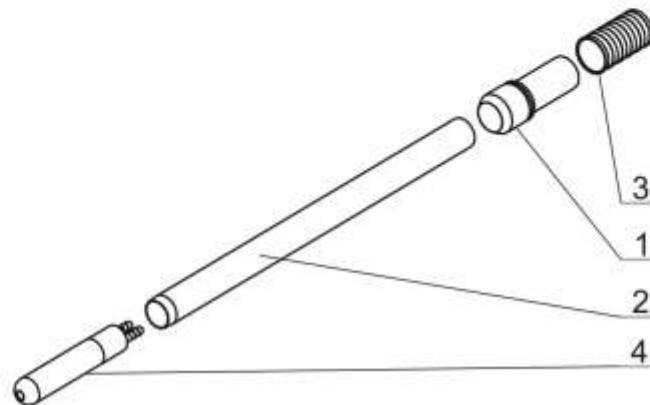
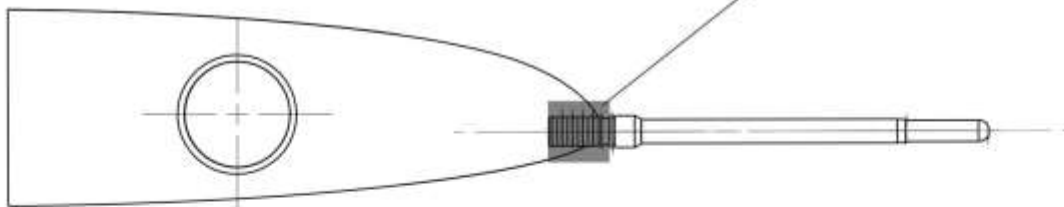


|             |                          |                           |                                |
|-------------|--------------------------|---------------------------|--------------------------------|
| 17          | Lower nut M6             |                           | ISO 4035                       |
| 16          | Rivet nut M5             |                           | PH - VRB - St                  |
| 15          | Nut VM 3                 |                           | DIN 980                        |
| 14          | Nut M3                   |                           | ISO 4032                       |
| 13          | Screw M5 x 12            |                           | ISO 4014                       |
| 12          | Screw M3 x 10            |                           | DIN 7985                       |
| 11          | Washer M3                |                           | ČSN 02 1721                    |
| 10          | Trim fork                |                           | MPJ M3                         |
| 9           | Throttle bowden screw M6 |                           | s551_500_00-1                  |
| 8           | Trim strainer eye        |                           | s569_000_00-1                  |
| 7           | Trim body strainer       |                           | s568_000_00-1                  |
| 6           | Trim cabel               |                           | s567_000_00-1                  |
| 5           | Trim tab lever           |                           | s565_000_00-1                  |
| 4           | Trim fork adjust. eye    |                           | s564_000_00-1                  |
| 3           | Trim bushing holder - C  |                           | s563_000_00-1                  |
| 2           | Trim bushing holder - B  |                           | s562_000_00-1                  |
| 1           | Trim bushing holder - A  |                           | s561_000_00-1                  |
| Pos. / poz. | Assembly / sestava       | Sub assembly / podsestava | Drawing number / číslo výkresu |

|                                                                                     |                     |                   |                                |
|-------------------------------------------------------------------------------------|---------------------|-------------------|--------------------------------|
|  | Material / materiál | Part name / název |                                |
|                                                                                     |                     | Trim system       |                                |
| Name of designer / navrh                                                            | Ing Martin Zahálka  | Weight / hmotnost | kg                             |
| Date of issue / datum vydání                                                        | 26.2.2010           | Page / list       | 3/3                            |
| Revision / změna                                                                    |                     | Scale / měřítko   | Drawing number / číslo výkresu |
| Date of revision / datum změny                                                      |                     |                   | S560_000_00-1                  |
| Pcs. / kusů                                                                         | 1                   |                   |                                |


## S600\_000\_00-1\_Systems

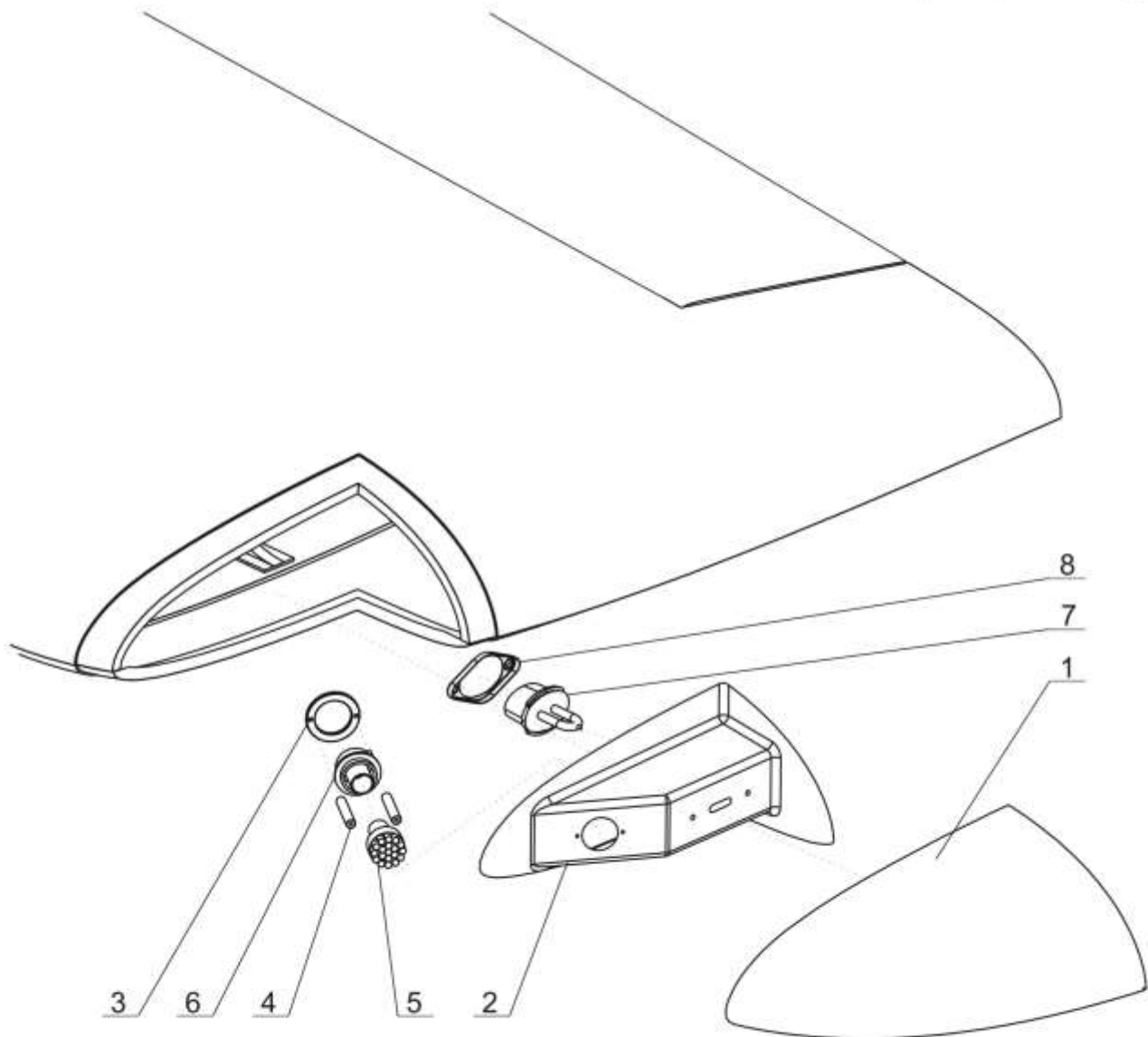
Pitot - static system scheme

Pitot - static case laminate to the strut attachment  
rib 2 x 92 125


Note: pitot - static tube must be placed only on the left wing

|             |                           |                           |                                |
|-------------|---------------------------|---------------------------|--------------------------------|
| 4           | Pitot-static probe        |                           | Aviatik                        |
| 3           | Pitot-static case         |                           | s613_000_00-1                  |
| 2           | Pitot-static tube         |                           | s612_000_00-1                  |
| 1           | Pitot-static tube attach. |                           | s611_000_00-1                  |
| Pos. / poz. | Assembly / sestava        | Sub assembly / podsestava | Drawing number / číslo výkresu |

|                                                                                     |                     |                              |                                |
|-------------------------------------------------------------------------------------|---------------------|------------------------------|--------------------------------|
|  | Material / materiál | Part name / název            |                                |
|                                                                                     |                     | <b>Pitot - static system</b> |                                |
| Name of designer / navrh                                                            | Ing Martin Zahálka  | Weight / hmotnost            | kg                             |
| Date of issue / datum vydání                                                        | 26.2.2010           | Page / list                  | 1 / 1                          |
| Revision / změna                                                                    |                     | Scale / měřítko              | Drawing number / číslo výkresu |
| Date of revision / datum změny                                                      |                     |                              | <b>S610_000_00-1</b>           |
| Pcs. / kusů                                                                         | 1                   |                              |                                |

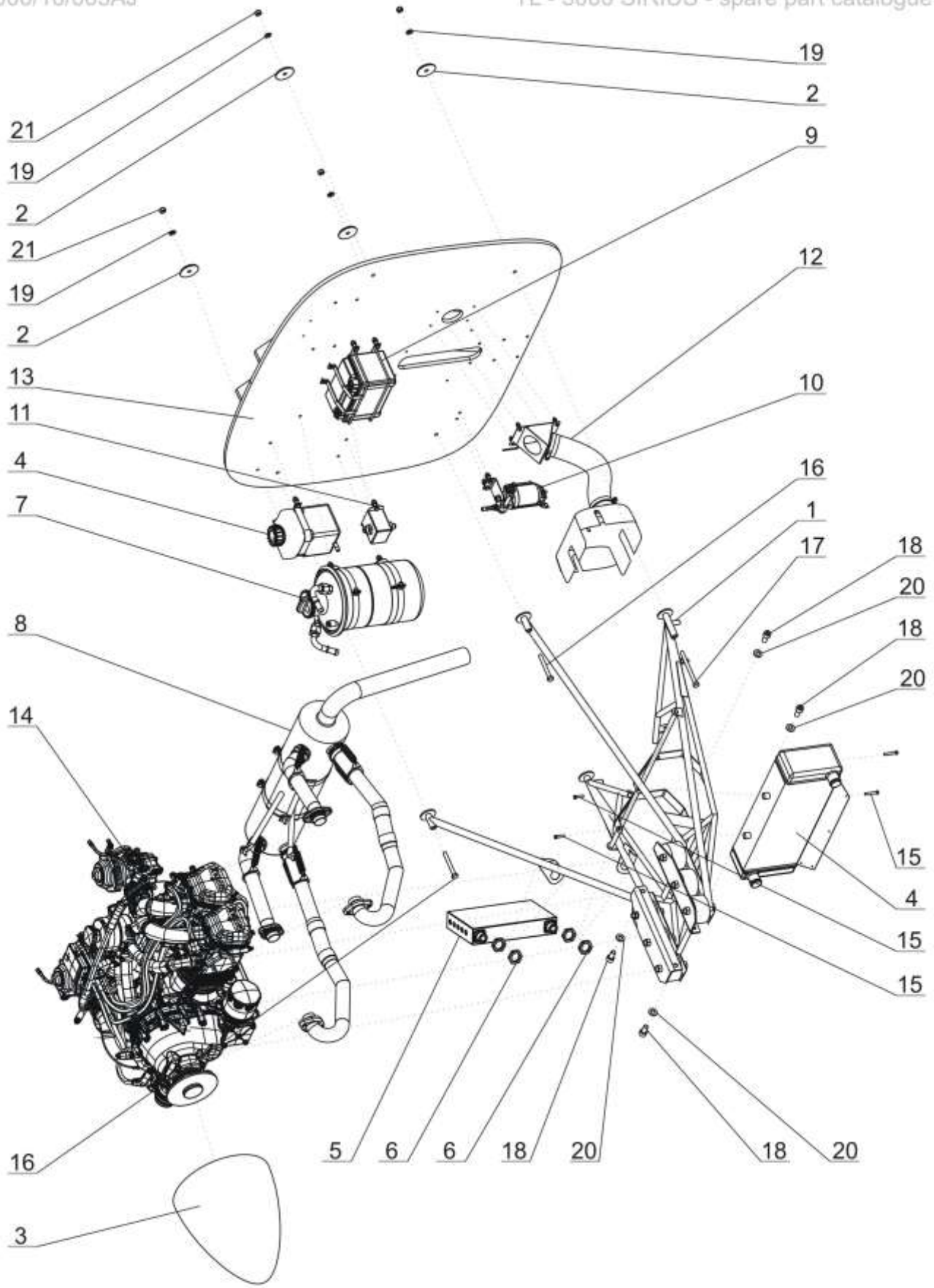



|             |                          |                           |                                |
|-------------|--------------------------|---------------------------|--------------------------------|
| 8           | Strobe light socket      |                           | Krčmář                         |
| 7           | Strobe light             |                           | Krčmář                         |
| 6           | LED light 12V socket     |                           |                                |
| 5           | LED light 12V            |                           |                                |
| 4           | LED light spacer         |                           | s621_400_00-1                  |
| 3           | LED light ring           |                           | s621_300_00-1                  |
| 2           | Light console            |                           | s621_200_00-1                  |
| 1           | Transparency light cover |                           | s621_100_00-1                  |
| Pos. / poz. | Assembly / sestava       | Sub assembly / podsestava | Drawing number / číslo výkresu |

|                                                                                     |                     |                   |                                |
|-------------------------------------------------------------------------------------|---------------------|-------------------|--------------------------------|
|  | Material / materiál | Part name / název |                                |
|                                                                                     |                     | Wing tip lights   |                                |
| Name of designer / návrh                                                            | Ing Martin Zahálka  | Weight / hmotnost | kg                             |
| Date of issue / datum vydání                                                        | 26.2.2010           | Page / list       | 1 / 1                          |
| Revision / změna                                                                    |                     | Scale / měřítko   | Drawing number / číslo výkresu |
| Date of revision / datum změny                                                      |                     | S621_000_00-1     |                                |
| Pcs. / kusů                                                                         | 2                   |                   |                                |


S700\_000\_00-1\_Power unit

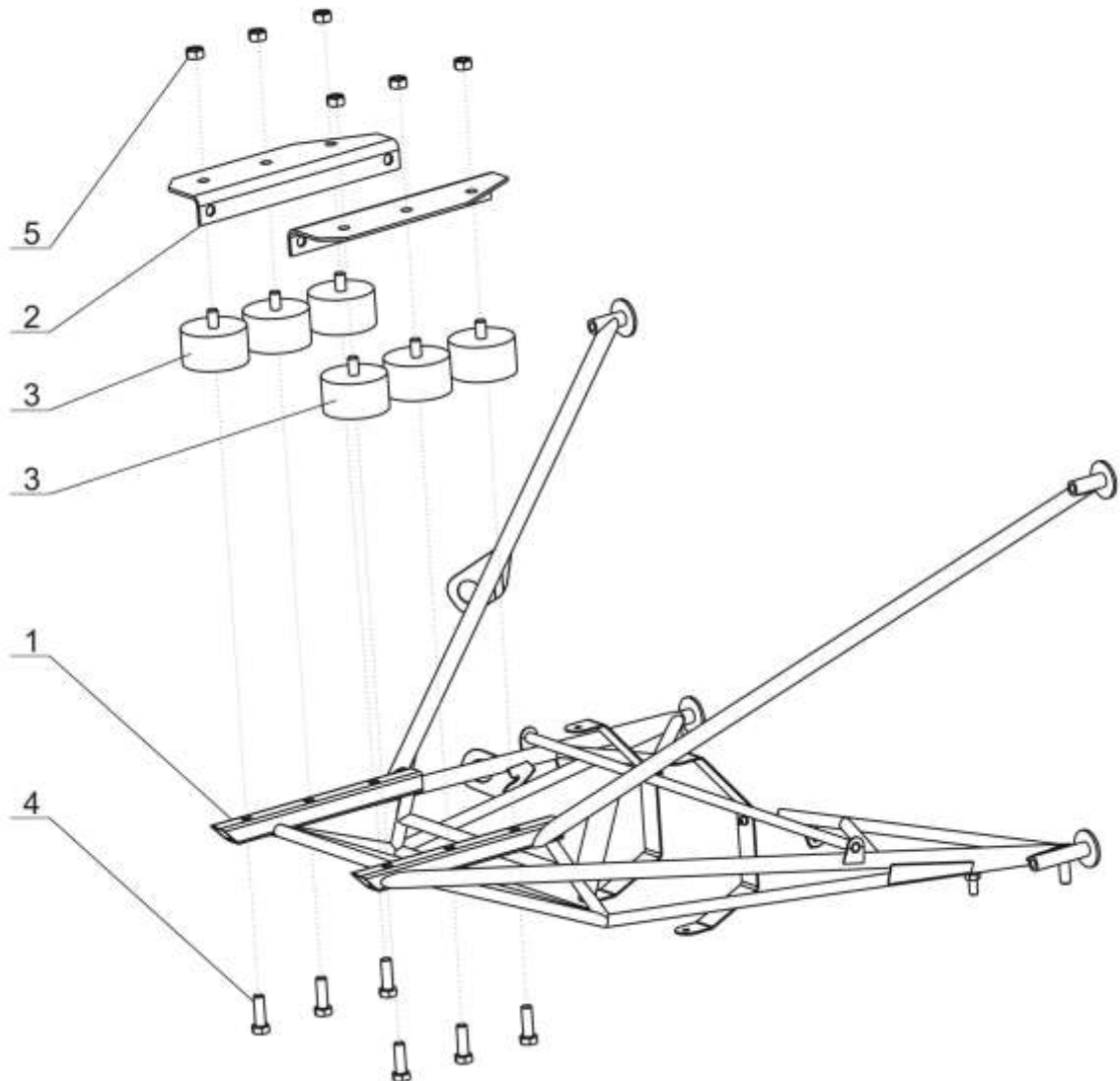





|                                                                                     |                     |                   |                                |             |
|-------------------------------------------------------------------------------------|---------------------|-------------------|--------------------------------|-------------|
|  | Material / materiál | Part name / název |                                |             |
|                                                                                     |                     | Power unit        |                                |             |
| Name of designer / navrh                                                            | Ing Martin Zahálka  | Weight / hmotnost | kg                             | Page / list |
| Date of issue / datum vydání                                                        | 26.2.2010           | Scale / měřítko   | Drawing number / číslo výkresu |             |
| Revision / změna                                                                    |                     | S700_000_00-1     |                                |             |
| Date of revision / datum změny                                                      |                     |                   |                                |             |
| Pcs. / kusů                                                                         | 1                   |                   |                                |             |

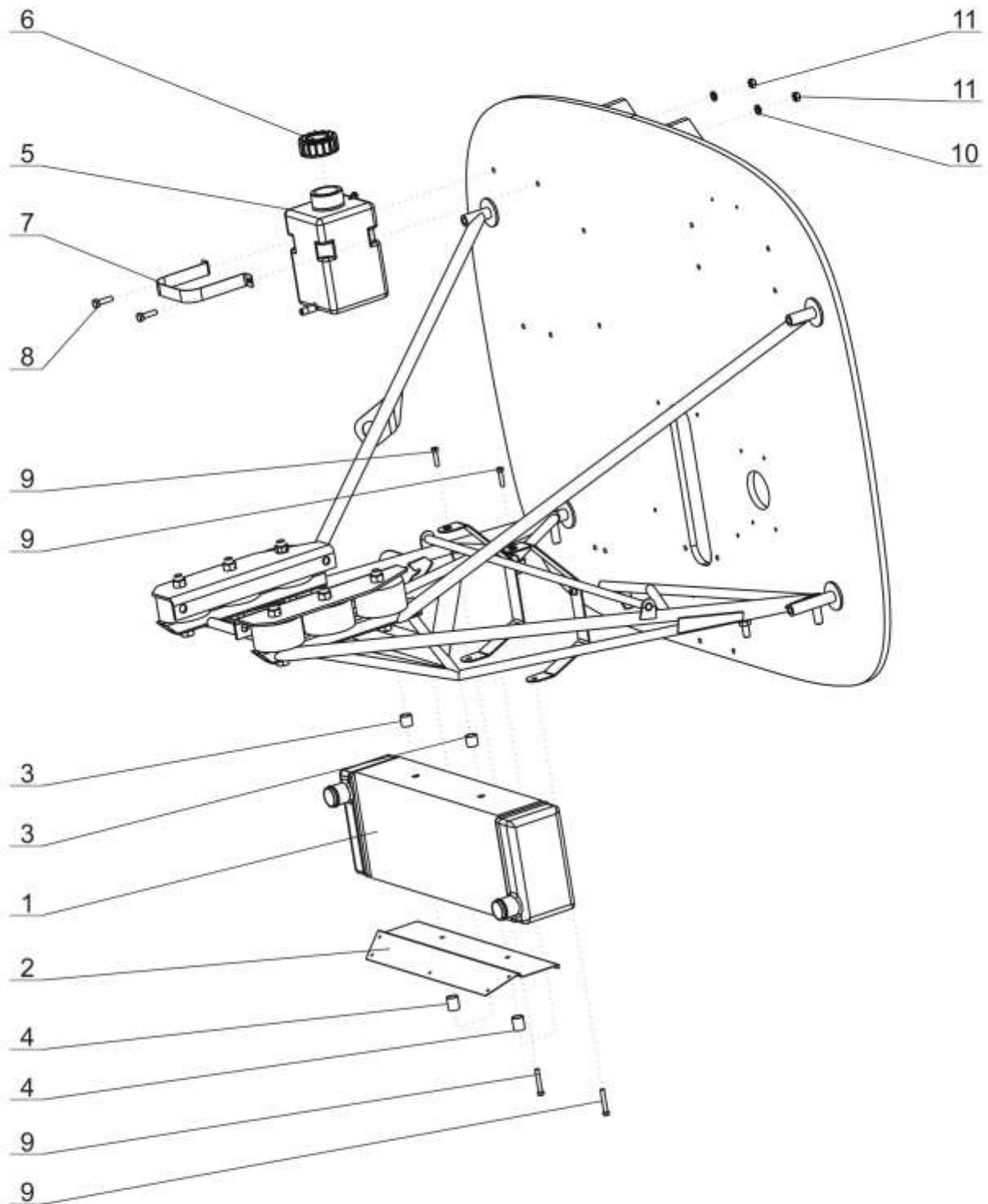
|             |                        |                           |                                |
|-------------|------------------------|---------------------------|--------------------------------|
| 21          | Nut VM 8               |                           | DIN 980                        |
| 20          | Washer M10             |                           | ČSN 02 1721                    |
| 19          | Washer M8              |                           | ČSN 02 1721                    |
| 18          | Screw M10 x 20         |                           | DIN 912                        |
| 17          | Screw M8 x 92          |                           | ISO 4014                       |
| 16          | Screw M8 x 65          |                           | ISO 4014                       |
| 15          | Screw M5 x 20          |                           | ISO 4014                       |
| 14          | Engine                 |                           | Rotax 912                      |
| 13          | Firewall               |                           | s200_560_00-1                  |
| 12          | Cabin heat system      |                           | s700_900_00-1                  |
| -           |                        | Fuel valve assembly       | s700_830_00-1                  |
| 11          |                        | Fuel pump assembly        | s700_820_00-1                  |
| 10          |                        | Fuel filter assembly      | s700_810_00-1                  |
| -           | Fuel power system      |                           | s700_800_00-1                  |
| 9           | Electric system        |                           | s700_700_00-1                  |
| 8           | Exhaust system         |                           | s700_600_00-1                  |
| 7           |                        | Oil tank assembly         | s700_520_00-1                  |
| 6           |                        | Cap nut M 22              | Rotax                          |
| 5           |                        | Rotax oil cooler          | Rotax 886029                   |
| -           | Engine oil system      |                           | s700_500_00-1                  |
| 4           | Engine cooling system  |                           | s700_400_00-1                  |
| 3           | Propeller spinner      |                           | s700_300_00-1                  |
| 2           | Engine m. screw washer |                           | s700_200_00-1                  |
| 1           | Engine mount assembly  |                           | s700_100_00-1                  |
| Pos. / poz. | Assembly / sestava     | Sub assembly / podsestava | Drawing number / číslo výkresu |


|                                                                                     |                     |                   |                                |
|-------------------------------------------------------------------------------------|---------------------|-------------------|--------------------------------|
|  | Material / materiál | Part name / název |                                |
|                                                                                     |                     | Power unit        |                                |
| Name of designer / navrh                                                            | Ing Martin Zahálka  | Weight / hmotnost | kg                             |
| Date of issue / datum vydání                                                        | 26.2.2010           | Page / list       | 2/2                            |
| Revision / změna                                                                    |                     | Scale / měřítko   | Drawing number / číslo výkresu |
| Date of revision / datum změny                                                      |                     |                   | S700_000_00-1                  |
| Pcs. / kusů                                                                         | 1                   |                   |                                |



|             |                        |                           |                                |
|-------------|------------------------|---------------------------|--------------------------------|
| 5           | Nut M 10               |                           | ISO 4032                       |
| 4           | Screw M10 x 30         |                           | ISO 4014                       |
| 3           | Rubber block 56x35 M10 |                           | č. 40 757/42 757               |
| 2           | Metal plate            |                           | s700_120_00-1                  |
| 1           | Engine mount           |                           | s700_110_00-1                  |
| Pos. / poz. | Assembly / sestava     | Sub assembly / podsestava | Drawing number / číslo výkresu |


|                                                                                     |                     |                       |                                |
|-------------------------------------------------------------------------------------|---------------------|-----------------------|--------------------------------|
|  | Material / materiál | Part name / název     |                                |
|                                                                                     |                     | Engine mount assembly |                                |
| Name of designer / návrh                                                            | Ing Martin Zahálka  | Weight / hmotnost     | kg                             |
| Date of issue / datum vydání                                                        | 26.2.2010           | Page / list           | 1/1                            |
| Revision / změna                                                                    |                     | Scale / měřítko       | Drawing number / číslo výkresu |
| Date of revision / datum změny                                                      |                     | S700_100_00-1         |                                |
| Pcs. / kusů                                                                         | 1                   |                       |                                |



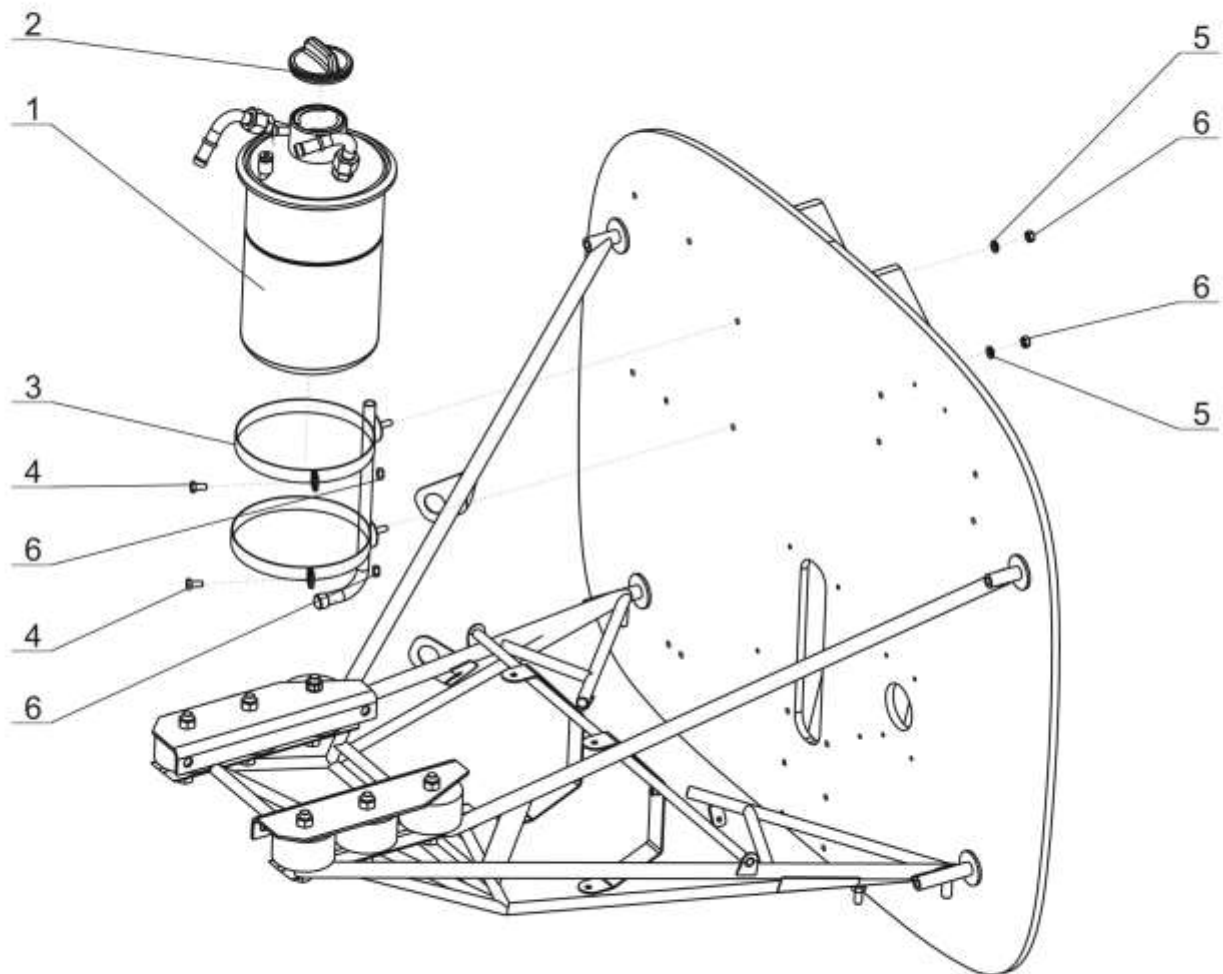
|                                                                                     |                     |                              |                                |
|-------------------------------------------------------------------------------------|---------------------|------------------------------|--------------------------------|
|  | Material / materiál | Part name / název            |                                |
|                                                                                     |                     | <b>Engine cooling system</b> |                                |
| Name of designer / navrh                                                            | Ing Martin Zahálka  | Weight / hmotnost            | kg                             |
| Date of issue / datum vydání                                                        | 26.2.2010           | Page / list                  | 1 / 2                          |
| Revision / změna                                                                    |                     | Scale / měřítko              | Drawing number / číslo výkresu |
| Date of revision / datum změny                                                      |                     | <b>S700_400_00-1</b>         |                                |
| Pcs. / kusů                                                                         | 1                   |                              |                                |




|             |                           |                           |                                |
|-------------|---------------------------|---------------------------|--------------------------------|
| 11          | Nut VM 6                  |                           | DIN 980                        |
| 10          | Washer M6                 |                           | ČSN 02 1721                    |
| 9           | Screw M5 x 20             |                           | ISO 4014                       |
| 8           | Screw M6 x 22             |                           | ISO 4014                       |
| 7           |                           | Expansion tank holder     | s700_423_00-1                  |
| 6           |                           | Expansion tank cap        | Rotax                          |
| 5           |                           | Expansion tank            | Rotax                          |
| -           | Cooling expan. tank asse. |                           | s700_420_00-1                  |
| 4           |                           | Long radiator spacer      | s700_414_00-1                  |
| 3           |                           | Short radiator spacer     | s700_413_00-1                  |
| 2           |                           | Deflector radiator plate  | s700_412_00-1                  |
| 1           |                           | Water radiator            | Barradiators TL-1              |
| -           | Water radiator assembly   |                           | s700_410_00-1                  |
| Pos. / poz. | Assembly / sestava        | Sub assembly / podsestava | Drawing number / číslo výkresu |

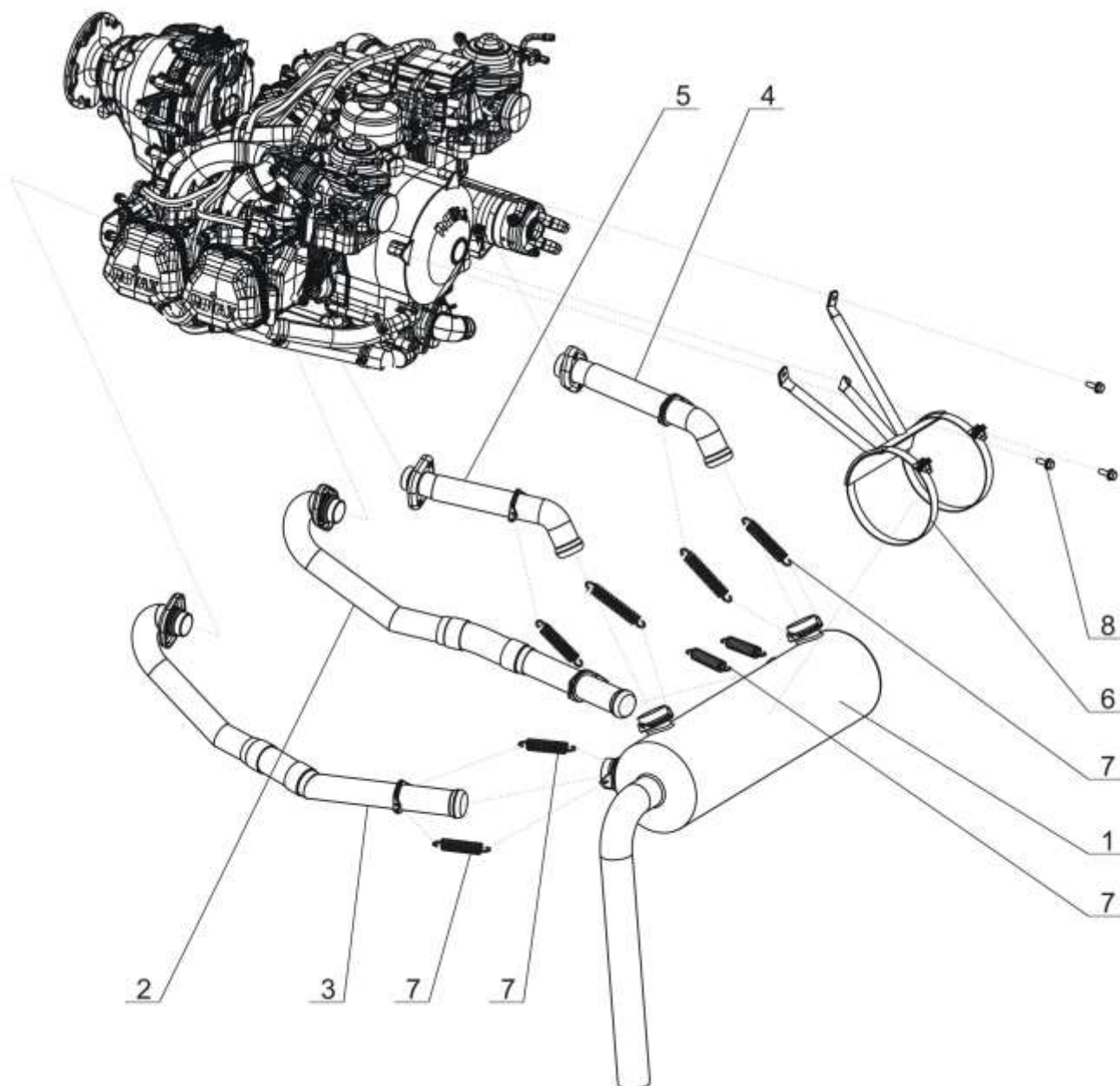
|                                                                                     |                     |                       |                                |
|-------------------------------------------------------------------------------------|---------------------|-----------------------|--------------------------------|
|  | Material / materiál | Part name / název     |                                |
|                                                                                     |                     | Engine cooling system |                                |
| Name of designer / návrh                                                            | Ing Martin Zahálka  | Weight / hmotnost     | kg                             |
| Date of issue / datum vydání                                                        | 26.2.2010           | Page / list           | 2/2                            |
| Revision / změna                                                                    |                     | Scale / měřítko       | Drawing number / číslo výkresu |
| Date of revision / datum změny                                                      |                     |                       | S700_400_00-1                  |
| Pcs. / kusů                                                                         | 1                   |                       |                                |






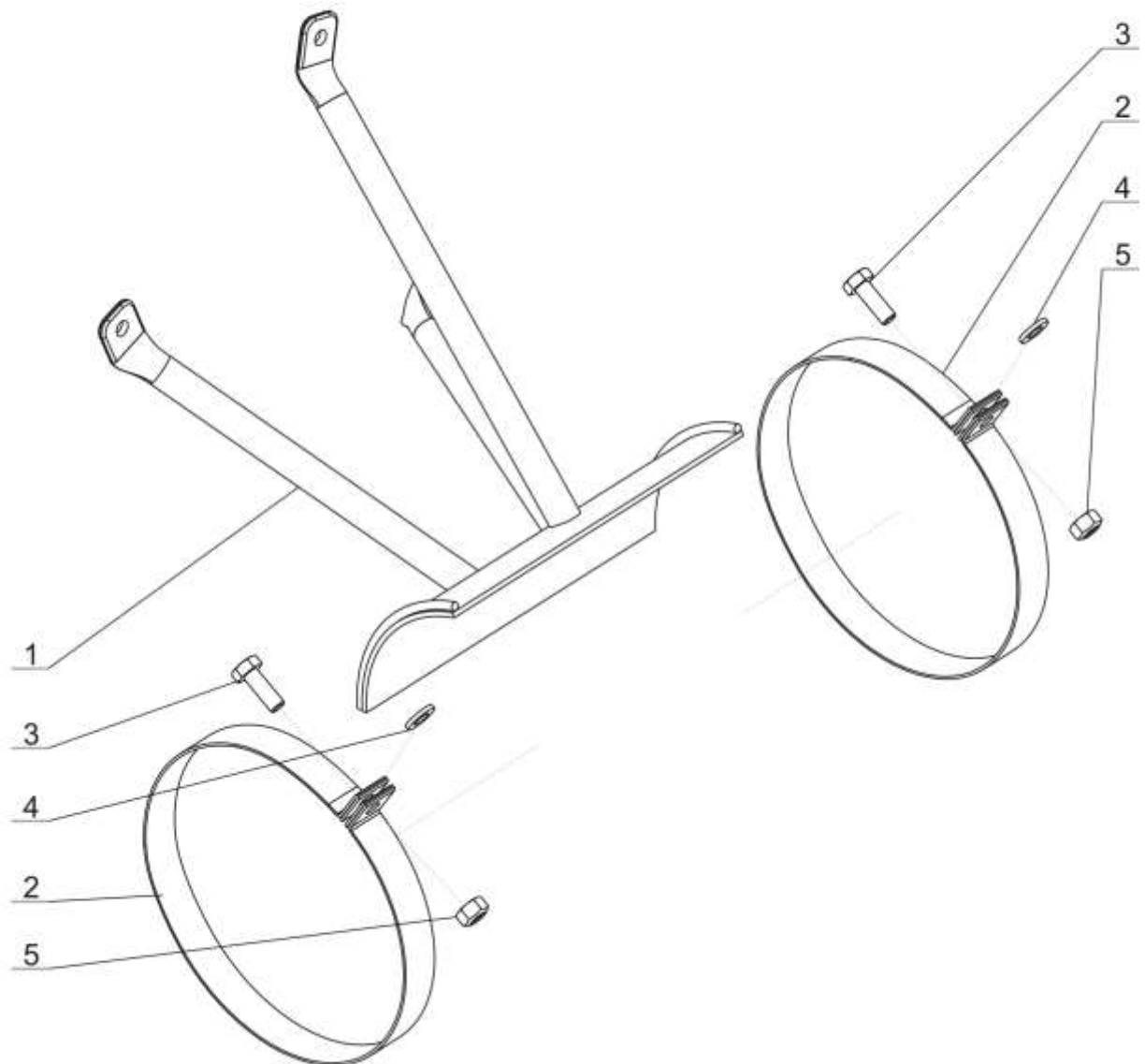
|             |                    |                           |                                |
|-------------|--------------------|---------------------------|--------------------------------|
| 6           | Nut VM 6           |                           | DIN 980                        |
| 5           | Washer M6          |                           | ČSN 02 1721                    |
| 4           | Screw M6 x 12      |                           | ISO 4014                       |
| 3           | Oil tank holder    |                           | s700_522_00-1                  |
| 2           | Oil tank cap       |                           | Rotax                          |
| 1           | Oil tank           |                           | Rotax 956502                   |
| Pos. / poz. | Assembly / sestava | Sub assembly / podsestava | Drawing number / číslo výkresu |

|                                                                                     |                     |                          |                                |
|-------------------------------------------------------------------------------------|---------------------|--------------------------|--------------------------------|
|  | Material / materiál | Part name / název        |                                |
|                                                                                     |                     | <b>Oil tank assembly</b> |                                |
| Name of designer / navrh                                                            | Ing Martin Zahálka  | Weight / hmotnost        | kg                             |
| Date of issue / datum vydání                                                        | 26.2.2010           | Page / list              | 1/1                            |
| Revision / změna                                                                    |                     | Scale / měřítko          | Drawing number / číslo výkresu |
| Date of revision / datum změny                                                      |                     | <b>S700_520_00-1</b>     |                                |
| Pcs. / kusů                                                                         | 1                   |                          |                                |




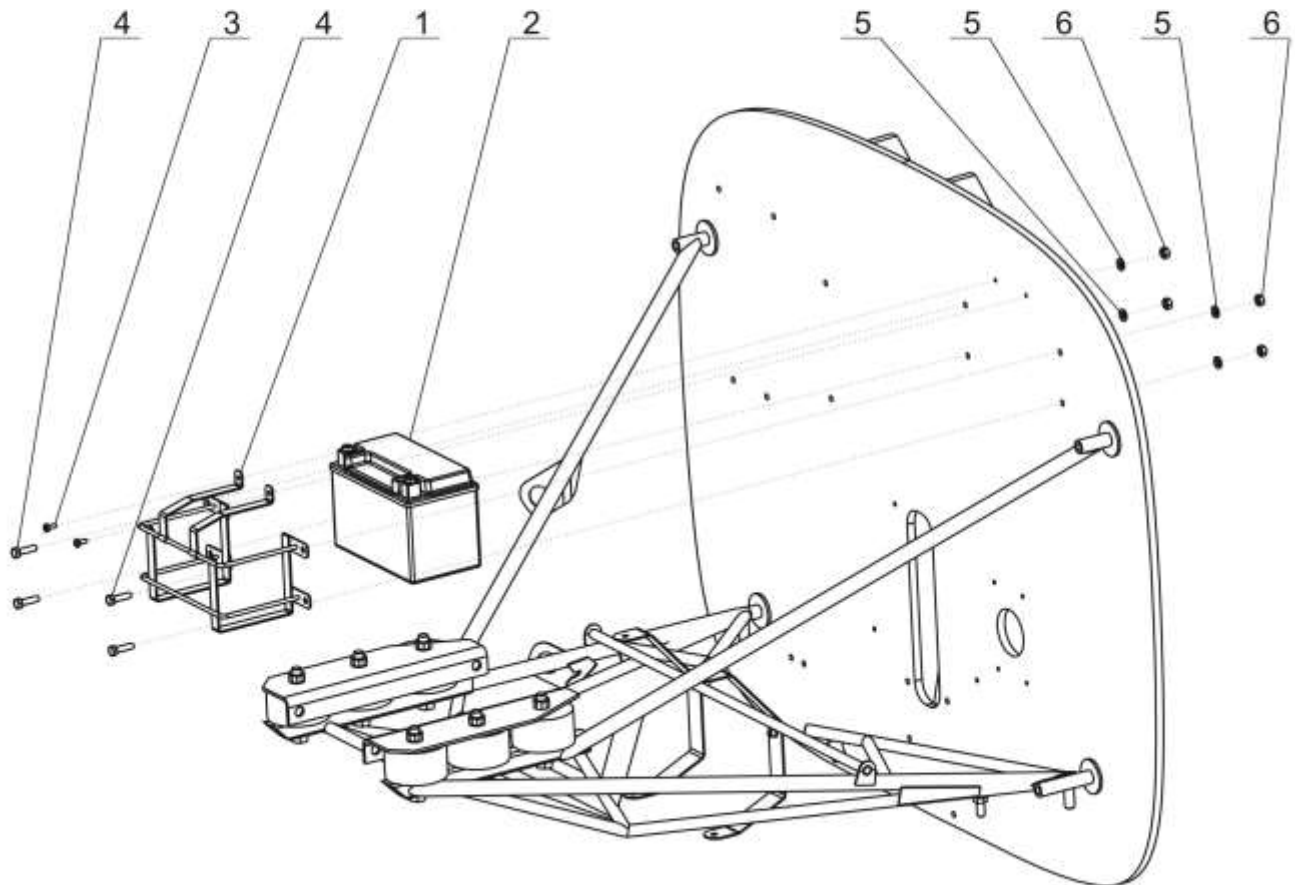
|             |                       |                           |                                |
|-------------|-----------------------|---------------------------|--------------------------------|
| 8           | Screw M6              |                           | Rotax                          |
| 7           | Exhaust system spring |                           | Rotax                          |
| 6           | Exhaust attachment    |                           | s700_630_00-1                  |
| 5           |                       | Left rear exhaust tube    | Červinka - typ Sirius          |
| 4           |                       | Right rear exhaust tube   | Červinka - typ Sirius          |
| 3           |                       | Left front exhaust tube   | Červinka - typ Sirius          |
| 2           |                       | Right front exhaust tube  | Červinka - typ Sirius          |
| -           | Exhaust tubes         |                           | s700_620_00-1                  |
| 1           | Exhaust               |                           | Červinka - typ Sirius          |
| Pos. / poz. | Assembly / sestava    | Sub assembly / podsestava | Drawing number / číslo výkresu |

|                                                                                     |                     |                   |                                |
|-------------------------------------------------------------------------------------|---------------------|-------------------|--------------------------------|
|  | Material / materiál | Part name / název |                                |
|                                                                                     |                     | Exhaust system    |                                |
| Name of designer / návrh                                                            | Ing Martin Zahálka  | Weight / hmotnost | kg                             |
| Date of issue / datum vydání                                                        | 26.2.2010           | Page / list       | 1/1                            |
| Revision / změna                                                                    |                     | Scale / měřítko   | Drawing number / číslo výkresu |
| Date of revision / datum změny                                                      |                     | S700_600_00-1     |                                |
| Pcs. / kusů                                                                         | 1                   |                   |                                |




|             |                       |                           |                                |
|-------------|-----------------------|---------------------------|--------------------------------|
| 5           | Nut VM 6              |                           | DIN 980                        |
| 4           | Washer M6             |                           | ČSN 02 1721                    |
| 3           | Screw M6 x 16         |                           | ISO 4014                       |
| 2           | Exh. attachment clamp |                           | s700_632_00-1                  |
| 1           | Exhaust holder        |                           | s700_631_00-1                  |
| Pos. / poz. | Assembly / sestava    | Sub assembly / podsestava | Drawing number / číslo výkresu |

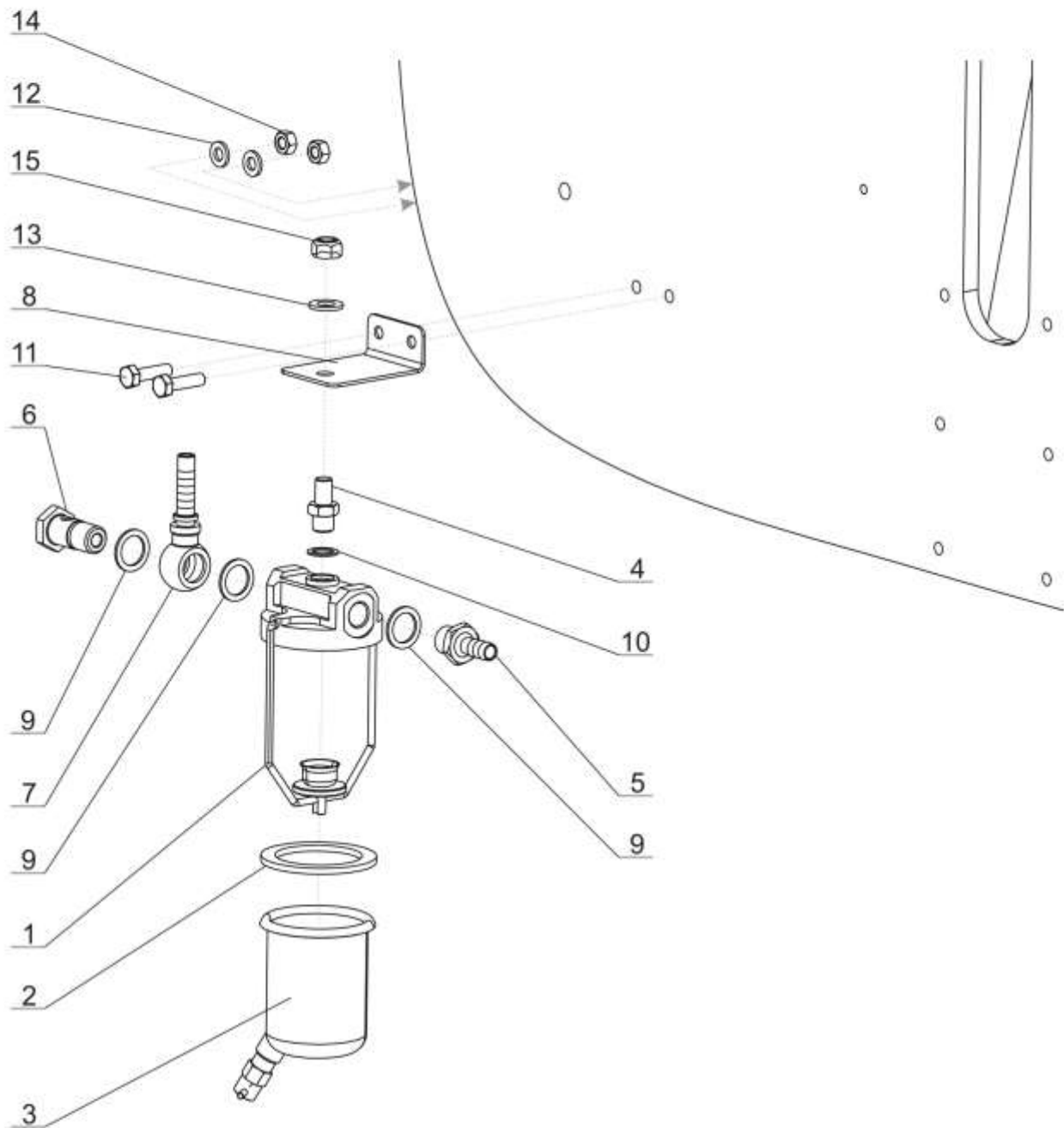
|                                                                                     |                     |                                |     |
|-------------------------------------------------------------------------------------|---------------------|--------------------------------|-----|
|  | Material / materiál | Part name / název              |     |
|                                                                                     |                     | <b>Exhaust attachment</b>      |     |
| Name of designer / navrh                                                            | Ing Martin Zahálka  | Weight / hmotnost              | kg  |
| Date of issue / datum vydání                                                        | 26.2.2010           | Page / list                    | 1/1 |
| Revision / změna                                                                    |                     | Drawing number / číslo výkresu |     |
| Date of revision / datum změny                                                      |                     | <b>S700_630_00-1</b>           |     |
| Pcs. / kusů                                                                         | 1                   |                                |     |




|             |                    |                           |                                |
|-------------|--------------------|---------------------------|--------------------------------|
| 6           | Nut VM 6           |                           | DIN 980                        |
| 5           | Washer M6          |                           | ČSN 02 1721                    |
| 4           | Screw M6 x 22      |                           | ISO 4014                       |
| 3           | Screw M4 x 10      |                           | ISO 7045                       |
| 2           | Battery            |                           | Varta 12V 8Ah 80A(EN)          |
| 1           | Battery holder     |                           | s700_710_00-1                  |
| Pos. / poz. | Assembly / sestava | Sub assembly / podsestava | Drawing number / číslo výkresu |

|                                                                                     |                     |                   |                                |
|-------------------------------------------------------------------------------------|---------------------|-------------------|--------------------------------|
|  | Material / materiál | Part name / název |                                |
|                                                                                     |                     | Electric system   |                                |
| Name of designer / navrh                                                            | Ing Martin Zahálka  | Weight / hmotnost | kg                             |
| Date of issue / datum vydání                                                        | 26.2.2010           | Page / list       | 1/1                            |
| Revision / změna                                                                    |                     | Scale / měřítko   | Drawing number / číslo výkresu |
| Date of revision / datum změny                                                      |                     | S700_700_00-1     |                                |
| Pcs. / kusů                                                                         | 1                   |                   |                                |




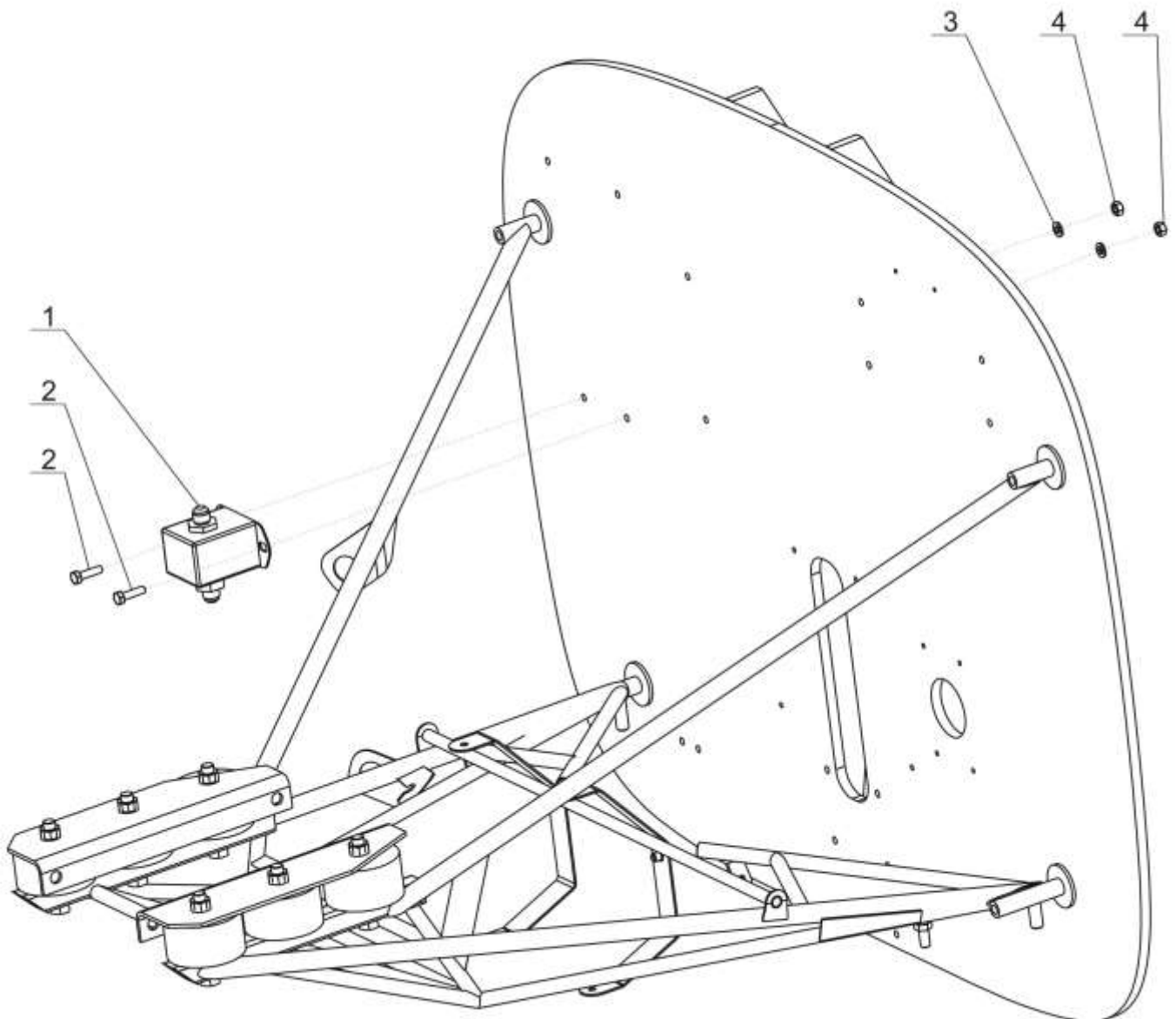


|                                                                                     |                     |                             |                                |             |
|-------------------------------------------------------------------------------------|---------------------|-----------------------------|--------------------------------|-------------|
|  | Material / materiál | Part name / název           |                                |             |
|                                                                                     |                     | <b>Feul filter assembly</b> |                                |             |
| Name of designer / navrh                                                            | Ing Martin Zahálka  | Weight / hmotnost           | kg                             | Page / list |
| Date of issue / datum vydání                                                        | 26.2.2010           | Scale / měřítko             | Drawing number / číslo výkresu |             |
| Revision / změna                                                                    |                     | <b>S700_810_00-1</b>        |                                |             |
| Date of revision / datum změny                                                      |                     |                             |                                |             |
| Pcs. / kusů                                                                         | 1                   |                             |                                |             |




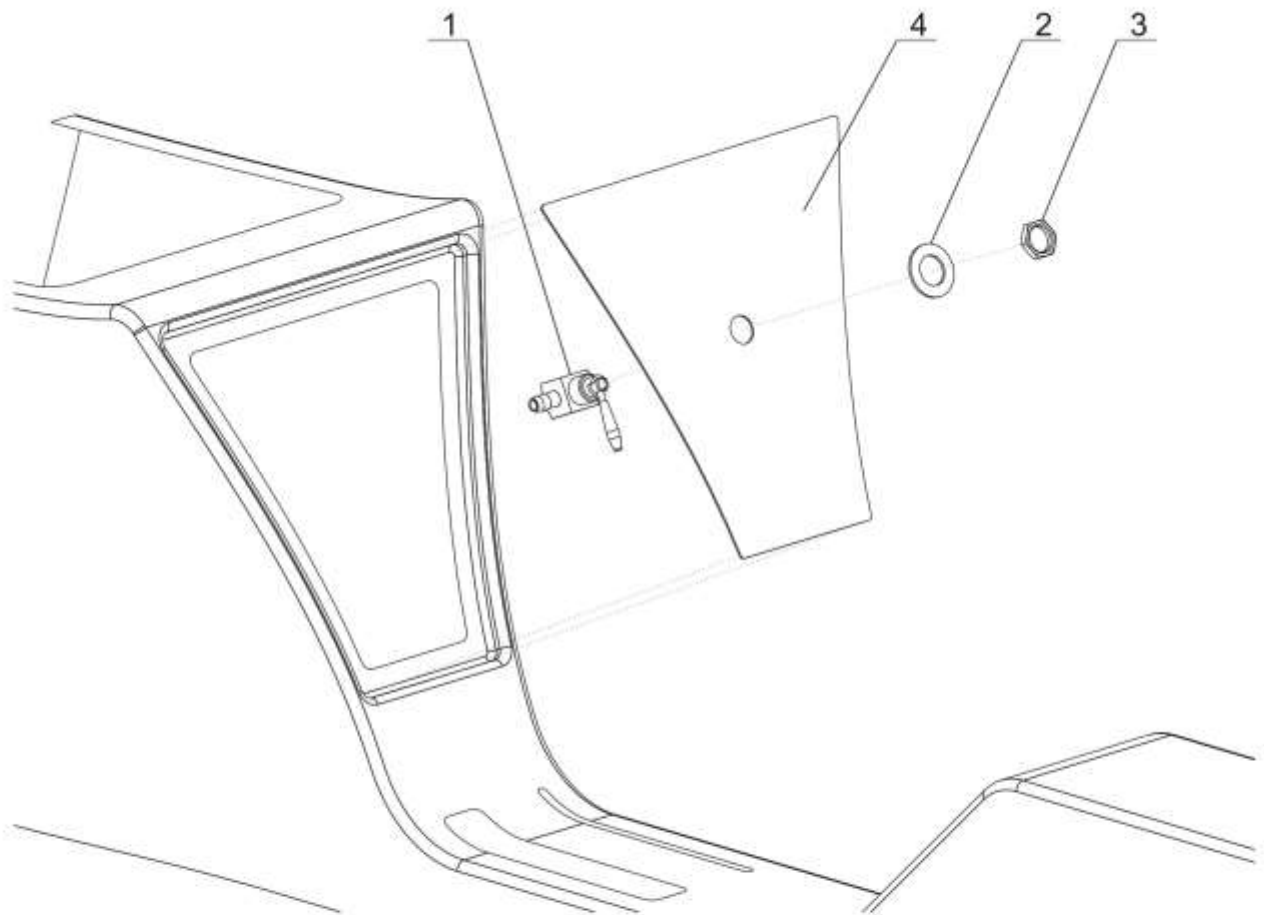
|             |                           |                           |                                |
|-------------|---------------------------|---------------------------|--------------------------------|
| 15          | Nut VM 8                  |                           | DIN 980                        |
| 14          | Nut VM 6                  |                           | DIN 980                        |
| 13          | Washer M8                 |                           | ČSN 02 1721                    |
| 12          | Washer M6                 |                           | ČSN 02 1721                    |
| 11          | Screw M6 x 22             |                           | ISO 4014                       |
| 10          | Sealing - 10 x 14         |                           | ČSN 13 7680.1                  |
| 9           | Sealing - 8 x 12          |                           | ČSN 13 7680.1                  |
| 8           | Fuel filter holder        |                           | s700_819_00-1                  |
| 7           | Fuel filter banjo fitting |                           | Hypoz                          |
| 6           | Fuel filter flow screw    |                           | s700_816_00-1                  |
| 5           | Fuel filter outer fitting |                           | s700_815_00-1                  |
| 4           | Fuel filter holder screw  |                           | s700_814_00-1                  |
| 3           | Fuel filter tank          |                           | ACS 10580                      |
| 2           | Fuel filter sealing       |                           | ACS 10580                      |
| 1           | Fuel filter cap           |                           | ACS 10580                      |
| Pos. / poz. | Assembly / sestava        | Sub assembly / podsestava | Drawing number / číslo výkresu |

|                                                                                     |                     |                      |                                |
|-------------------------------------------------------------------------------------|---------------------|----------------------|--------------------------------|
|  | Material / materiál | Part name / název    |                                |
|                                                                                     |                     | Feul filter assembly |                                |
| Name of designer / navrh                                                            | Ing Martin Zahálka  | Weight / hmotnost    | kg                             |
| Date of issue / datum vydání                                                        | 26.2.2010           | Page / list          | 2/2                            |
| Revision / změna                                                                    |                     | Scale / měřítko      | Drawing number / číslo výkresu |
| Date of revision / datum změny                                                      |                     |                      | S700_810_00-1                  |
| Pcs. / kusů                                                                         | 1                   |                      |                                |




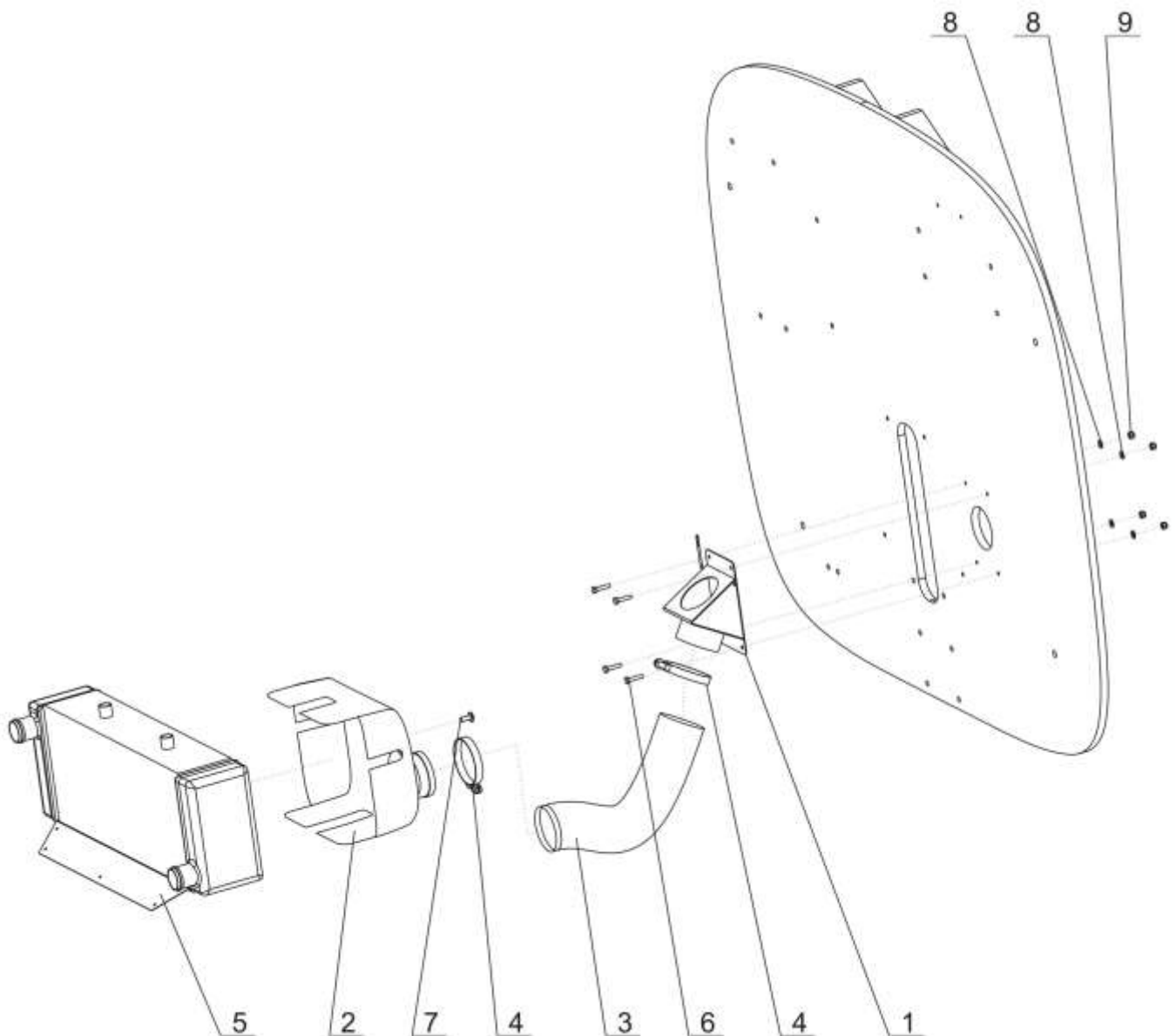
|             |                    |                           |                                |
|-------------|--------------------|---------------------------|--------------------------------|
| 4           | Nut VM 6           |                           | DIN 980                        |
| 3           | Washer M6          |                           | ČSN 02 1721                    |
| 2           | Screw M6 x 22      |                           | ISO 4014                       |
| 1           | Fuel pump          |                           | FACET                          |
| Pos. / poz. | Assembly / sestava | Sub assembly / podsestava | Drawing number / číslo výkresu |

|                                                                                     |                     |                    |                                |
|-------------------------------------------------------------------------------------|---------------------|--------------------|--------------------------------|
|  | Material / materiál | Part name / název  |                                |
|                                                                                     |                     | Fuel pump assembly |                                |
| Name of designer / návrh                                                            | Ing Martin Zahálka  | Weight / hmotnost  | kg                             |
| Date of issue / datum vydání                                                        | 26.2.2010           | Page / list        | 1/1                            |
| Revision / změna                                                                    |                     | Scale / měřítko    | Drawing number / číslo výkresu |
| Date of revision / datum změny                                                      |                     | S700_820_00-1      |                                |
| Pcs. / kusů                                                                         | 1                   |                    |                                |




|             |                          |                           |                                |
|-------------|--------------------------|---------------------------|--------------------------------|
| 4           | Central console plate    |                           | 42 4254.61, t = 1 mm           |
| 3           | Fuel valve nut           |                           | 22MB                           |
| 2           | Fuel valve selector      |                           | 22MB                           |
| 1           | Fuel selector - 3 posit. |                           | 22MB                           |
| Pos. / poz. | Assembly / sestava       | Sub assembly / podsestava | Drawing number / číslo výkresu |

|                                                                                     |                     |                            |                                |
|-------------------------------------------------------------------------------------|---------------------|----------------------------|--------------------------------|
|  | Material / materiál | Part name / název          |                                |
|                                                                                     |                     | <b>Fuel valve assembly</b> |                                |
| Name of designer / navrh                                                            | Ing Martin Zahálka  | Weight / hmotnost          | kg                             |
| Date of issue / datum vydání                                                        | 26.2.2010           | Page / list                | 1/1                            |
| Revision / změna                                                                    |                     | Scale / měřítko            | Drawing number / číslo výkresu |
| Date of revision / datum změny                                                      |                     |                            | <b>S700_830_00-1</b>           |
| Pcs. / kusů                                                                         | 1                   |                            |                                |

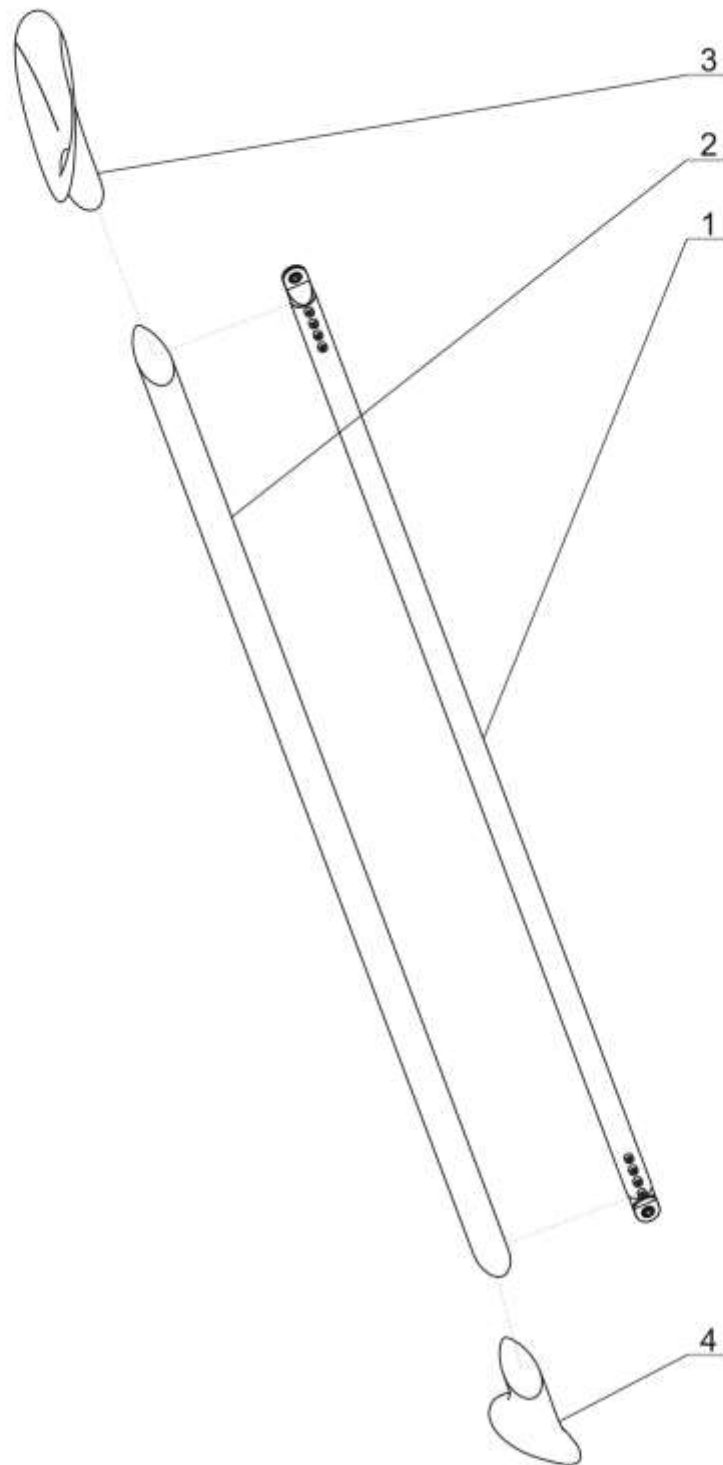


|             |                         |                           |                                |
|-------------|-------------------------|---------------------------|--------------------------------|
| 9           | Nut VM 4                |                           | DIN 980                        |
| 8           | Washer M4               |                           | ČSN 02 1721                    |
| 7           | Screw M5 x 12           |                           | PN 02009                       |
| 6           | Screw M4 x 18           |                           | ISO 4014                       |
| 5           | Water radiator assembly |                           | s700_410_00-1                  |
| 4           | Hose clamp              |                           | TORRO 35 - 50                  |
| 3           | Heating hose            |                           | -                              |
| 2           | Heating cover           |                           | s700_920_00-1                  |
| 1           | Heating flap            |                           | s700_910_00-1                  |
| Pos. / poz. | Assembly / sestava      | Sub assembly / podsestava | Drawing number / číslo výkresu |


|                                                                                     |                     |                   |                                |
|-------------------------------------------------------------------------------------|---------------------|-------------------|--------------------------------|
|  | Material / materiál | Part name / název |                                |
|                                                                                     |                     | Cabin heat system |                                |
| Name of designer / navrh                                                            | Ing Martin Zahálka  | Weight / hmotnost | kg                             |
| Date of issue / datum vydání                                                        | 26.2.2010           | Page / list       | 1/1                            |
| Revision / změna                                                                    |                     | Scale / měřítko   | Drawing number / číslo výkresu |
| Date of revision / datum změny                                                      |                     | S700_900_00-1     |                                |
| Pcs. / kusů                                                                         | 1                   |                   |                                |

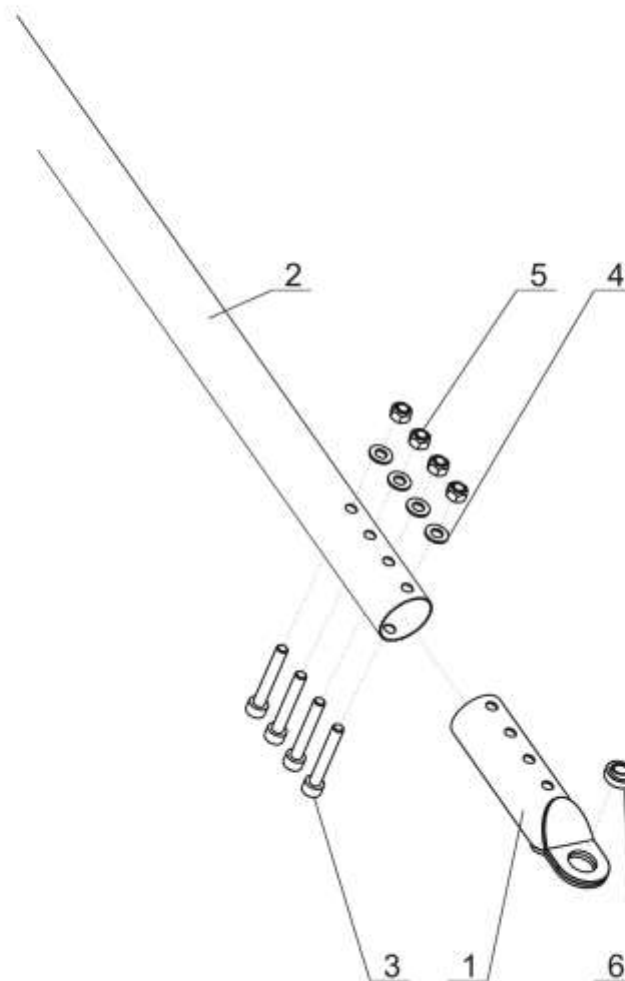
S800\_000\_00-1\_Struts






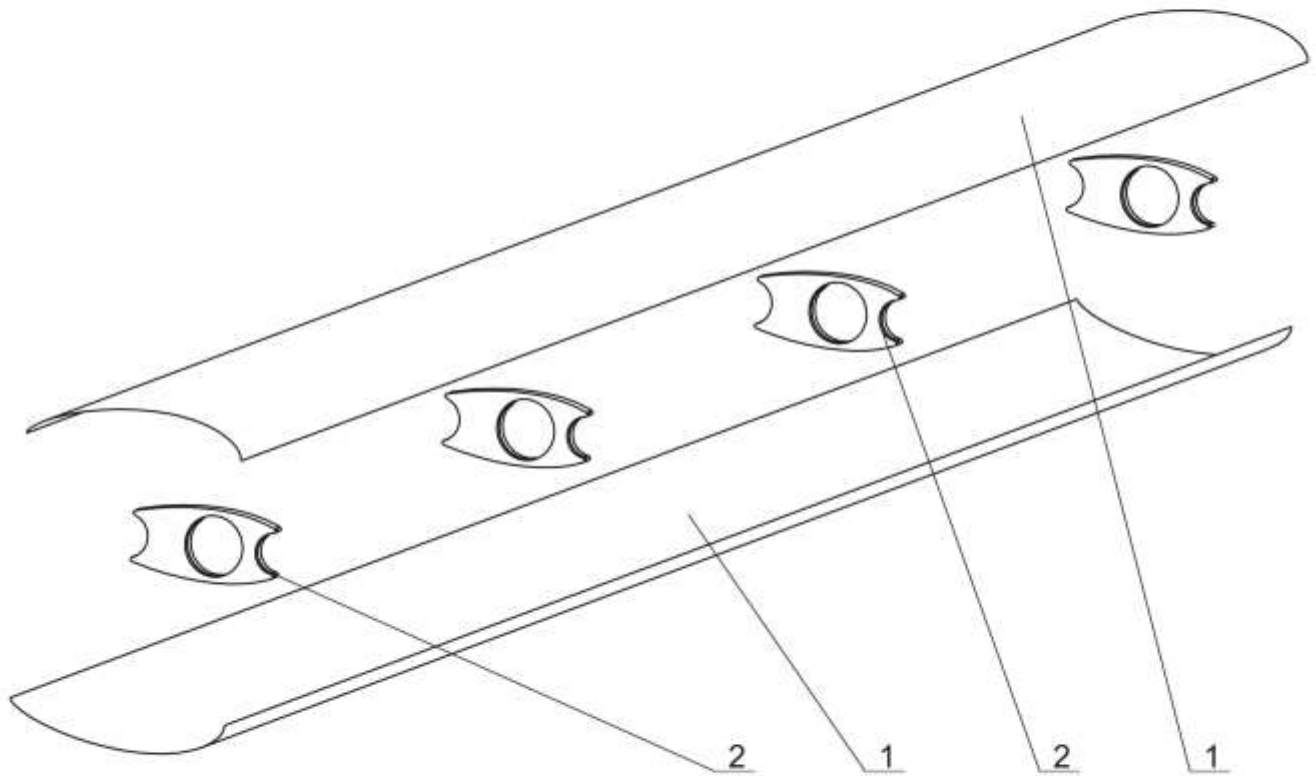
|             |                        |                           |                                |
|-------------|------------------------|---------------------------|--------------------------------|
| 4           | Strut - fuselage cover |                           | s810_400_00-1                  |
| 3           | Wing - strut cover     |                           | s810_300_00-1                  |
| 2           | Strut laminate part    |                           | s810_200_00-1                  |
| 1           | Strut metal part       |                           | s810_100_00-1                  |
| Pos. / poz. | Assembly / sestava     | Sub assembly / podsestava | Drawing number / číslo výkresu |

|                                                                                     |                     |                   |                                |
|-------------------------------------------------------------------------------------|---------------------|-------------------|--------------------------------|
|  | Material / materiál | Part name / název |                                |
|                                                                                     |                     | <b>Left strut</b> |                                |
| Name of designer / navrh                                                            | Ing Martin Zahálka  | Weight / hmotnost | kg                             |
| Date of issue / datum vydání                                                        | 26.2.2010           | Page / list       | 1/1                            |
| Revision / změna                                                                    |                     | Scale / měřítko   | Drawing number / číslo výkresu |
| Date of revision / datum změny                                                      |                     |                   | <b>S810_000_00-1</b>           |
| Pcs. / kusů                                                                         | 1 (1)               |                   |                                |




|             |                    |                           |                                |
|-------------|--------------------|---------------------------|--------------------------------|
| 6           | Bearing 10         |                           | ČSN 02 3512                    |
| 5           | Nut VM 8           |                           | DIN 980                        |
| 4           | Washer M8          |                           | ČSN 02 1721                    |
| 3           | Screw M8 x 52      |                           | DIN 912                        |
| 2           | Strut tube         |                           | s810_120_00-1                  |
| 1           | Strut end hinge    |                           | s810_110_00-1                  |
| Pos. / poz. | Assembly / sestava | Sub assembly / podsestava | Drawing number / číslo výkresu |

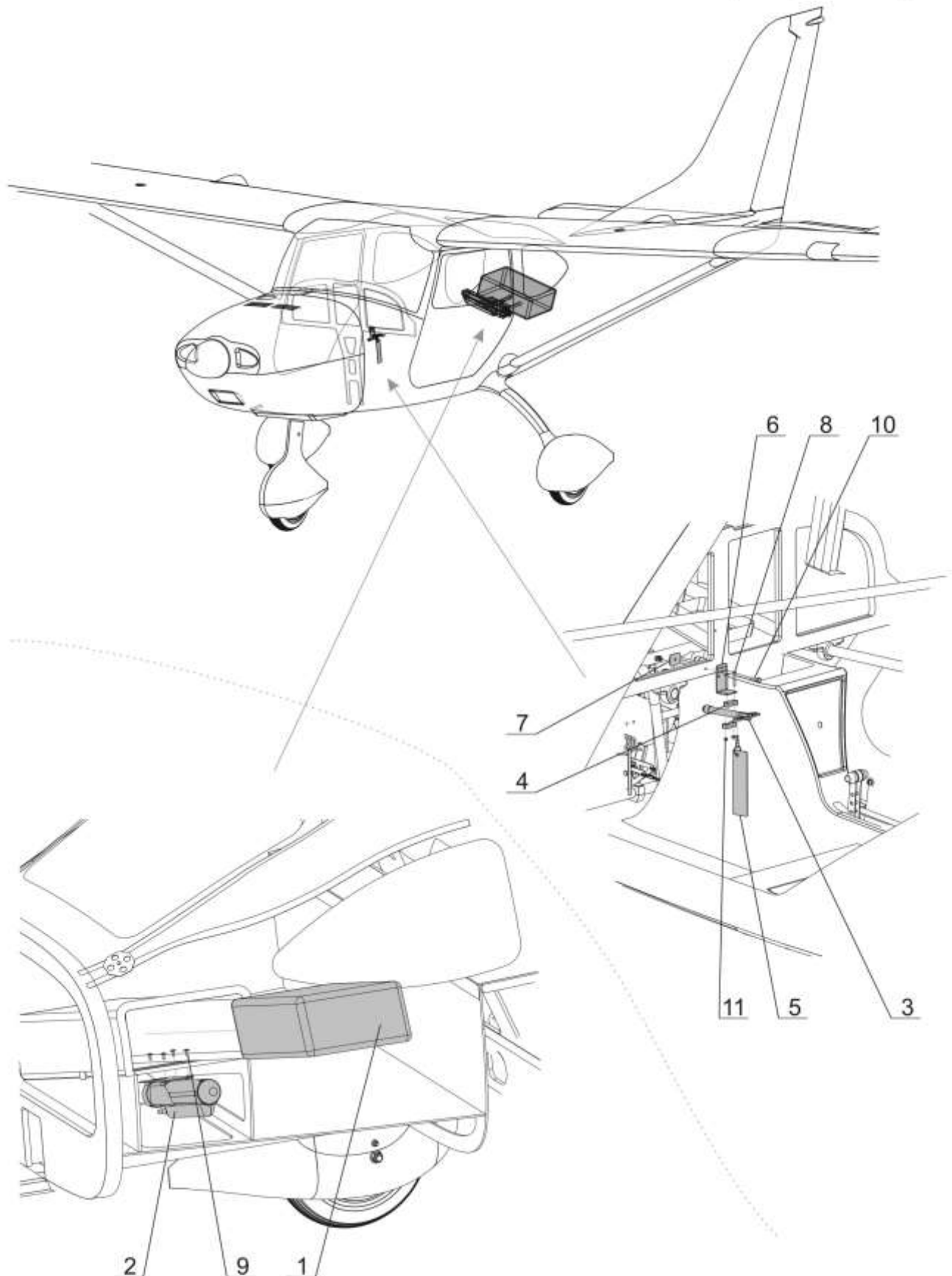
|                                                                                     |                     |                   |                                |
|-------------------------------------------------------------------------------------|---------------------|-------------------|--------------------------------|
|  | Material / materiál | Part name / název |                                |
|                                                                                     |                     | Strut metal part  |                                |
| Name of designer / navrh                                                            | Ing Martin Zahálka  | Weight / hmotnost | kg                             |
| Date of issue / datum vydání                                                        | 26.2.2010           | Page / list       | 1 / 1                          |
| Revision / změna                                                                    |                     | Scale / měřítko   | Drawing number / číslo výkresu |
| Date of revision / datum změny                                                      |                     |                   | S810_100_00-1                  |
| Pcs. / kusů                                                                         | 2                   |                   |                                |




|             |                    |                           |                                |
|-------------|--------------------|---------------------------|--------------------------------|
| 2           | Strut rib          |                           | s810_220_00-1                  |
| 1           | Strut skin         |                           | s810_210_00-1                  |
| Pos. / poz. | Assembly / sestava | Sub assembly / podsestava | Drawing number / číslo výkresu |

|                                                                                     |                     |                     |                                |
|-------------------------------------------------------------------------------------|---------------------|---------------------|--------------------------------|
|  | Material / materiál | Part name / název   |                                |
|                                                                                     |                     | Strut laminate part |                                |
| Name of designer / navrh                                                            | Ing Martin Zahálka  | Weight / hmotnost   | kg                             |
| Date of issue / datum vydání                                                        | 26.2.2010           | Page / list         | 1/1                            |
| Revision / změna                                                                    |                     | Scale / měřítko     | Drawing number / číslo výkresu |
| Date of revision / datum změny                                                      |                     |                     | S810_200_00-1                  |
| Pcs. / kusů                                                                         | 2                   |                     |                                |


S900\_000\_00-1\_Rescue system



|                                                                                     |                     |                                |    |             |
|-------------------------------------------------------------------------------------|---------------------|--------------------------------|----|-------------|
|  | Material / materiál | Part name / název              |    |             |
|                                                                                     |                     | <b>Rescue system</b>           |    |             |
| Name of designer / navrh                                                            | Ing Martin Zahálka  | Weight / hmotnost              | kg | Page / list |
| Date of issue / datum vydání                                                        | 26.2.2010           | Scale / měřítko                |    | 1 / 2       |
| Revision / změna                                                                    |                     | Drawing number / číslo výkresu |    |             |
| Date of revision / datum změny                                                      |                     | <b>S900_000_00-1</b>           |    |             |
| Pcs. / kusů                                                                         | 1                   |                                |    |             |



|             |                               |                           |                                |
|-------------|-------------------------------|---------------------------|--------------------------------|
| 11          | Nut VM 4                      |                           | DIN 980                        |
| 10          | Screw M6 x 20                 |                           | ISO 4014                       |
| 9           | Screw M5 x 12                 |                           | PN 02009                       |
| 8           | Screw M4 x 30                 |                           | ISO 4014                       |
| 7           | Ball. rec. syst. activ. nut   |                           | s900_400_00-1                  |
| 6           | Activation holder             |                           | s900_300_00-1                  |
| 5           | Ball. rec. syst. security pin |                           | GRS 473                        |
| 4           | Activation collet             |                           | GRS 473                        |
| 3           | Activation handle             |                           | GRS 473                        |
| 2           | Ball. rec. system rocket      |                           | GRS 473                        |
| 1           | Ballistic recovery chute      |                           | GRS 473                        |
| Pos. / poz. | Assembly / sestava            | Sub assembly / podsestava | Drawing number / číslo výkresu |

|                                                                                     |                     |                   |                                |
|-------------------------------------------------------------------------------------|---------------------|-------------------|--------------------------------|
|  | Material / materiál | Part name / název |                                |
|                                                                                     |                     | Rescue system     |                                |
| Name of designer / navrh                                                            | Ing Martin Zahálka  | Weight / hmotnost | kg                             |
| Date of issue / datum vydání                                                        | 26.2.2010           | Page / list       | 2/2                            |
| Revision / změna                                                                    |                     | Scale / měřítko   | Drawing number / číslo výkresu |
| Date of revision / datum změny                                                      |                     |                   | S900_000_00-1                  |
| Pcs. / kusů                                                                         | 1                   |                   |                                |