

TL – 2000 *Sting Sport*  
Illustrated parts catalog



## ILLUSTRATED PARTS CATALOG

For the

**TL – 2000**

*Sting Sport*





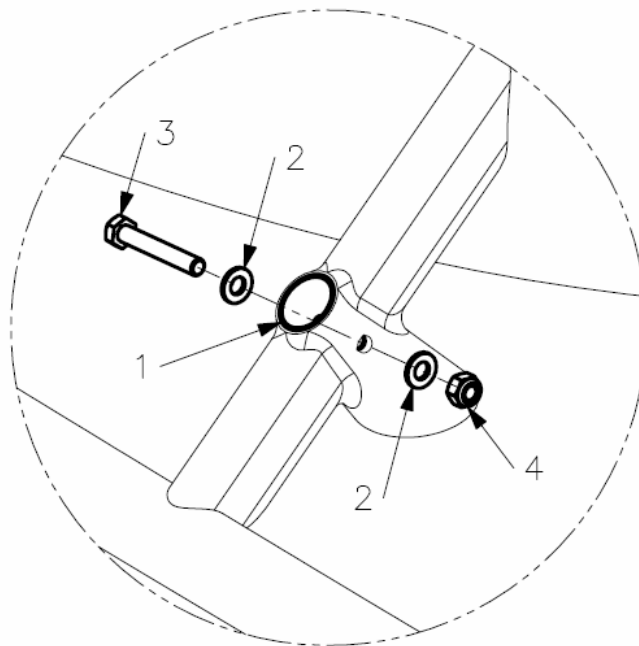
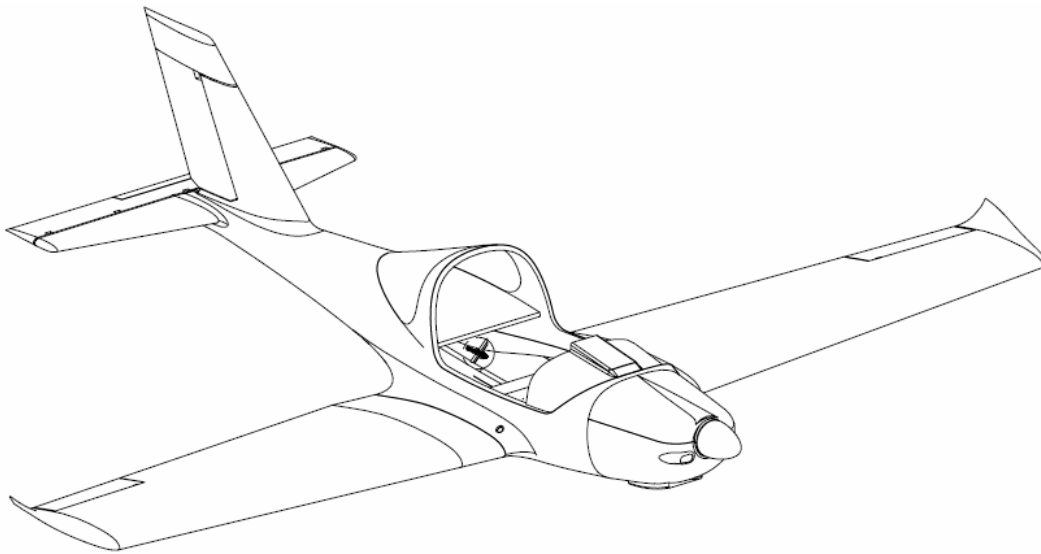
## TABLE OF CONTENTS

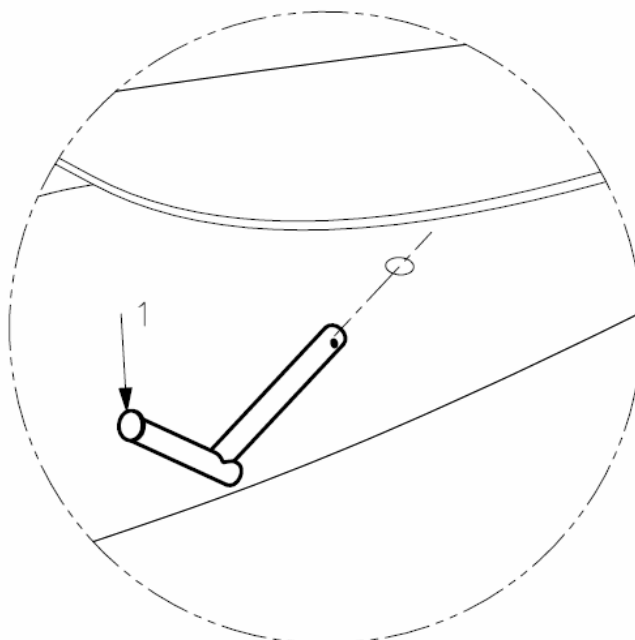
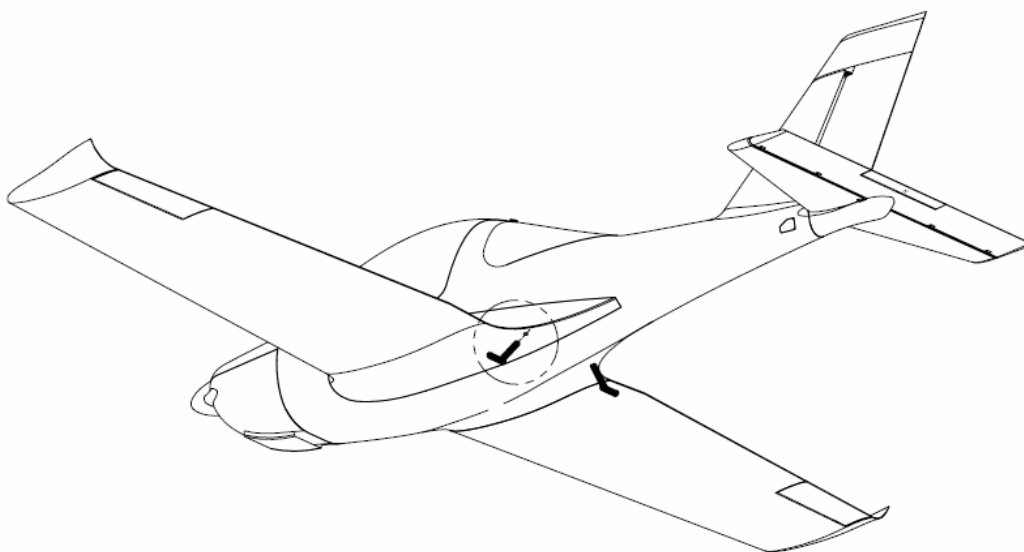
<i>Chapter - 01 -</i>	Fuselage
<i>Chapter - 02 -</i>	Wing
<i>Chapter - 03 -</i>	Aileron system
<i>Chapter - 04 -</i>	Flap system
<i>Chapter - 05 -</i>	Control stick
<i>Chapter - 06 -</i>	Elevator system
<i>Chapter - 07 -</i>	Elevator installation
<i>Chapter - 08 -</i>	Trim system
<i>Chapter - 09 -</i>	Rudder system, Direction control, Brake system
<i>Chapter - 10 -</i>	Fuel system installation
<i>Chapter - 11 -</i>	Nose landing gear
<i>Chapter - 12 -</i>	Main landing gear
<i>Chapter - 13 -</i>	Cockpit cover
<i>Chapter - 14 -</i>	Rudder installation
<i>Chapter - 15 -</i>	Engine mount
<i>Chapter - 16 -</i>	Engine controls

CHAPTER

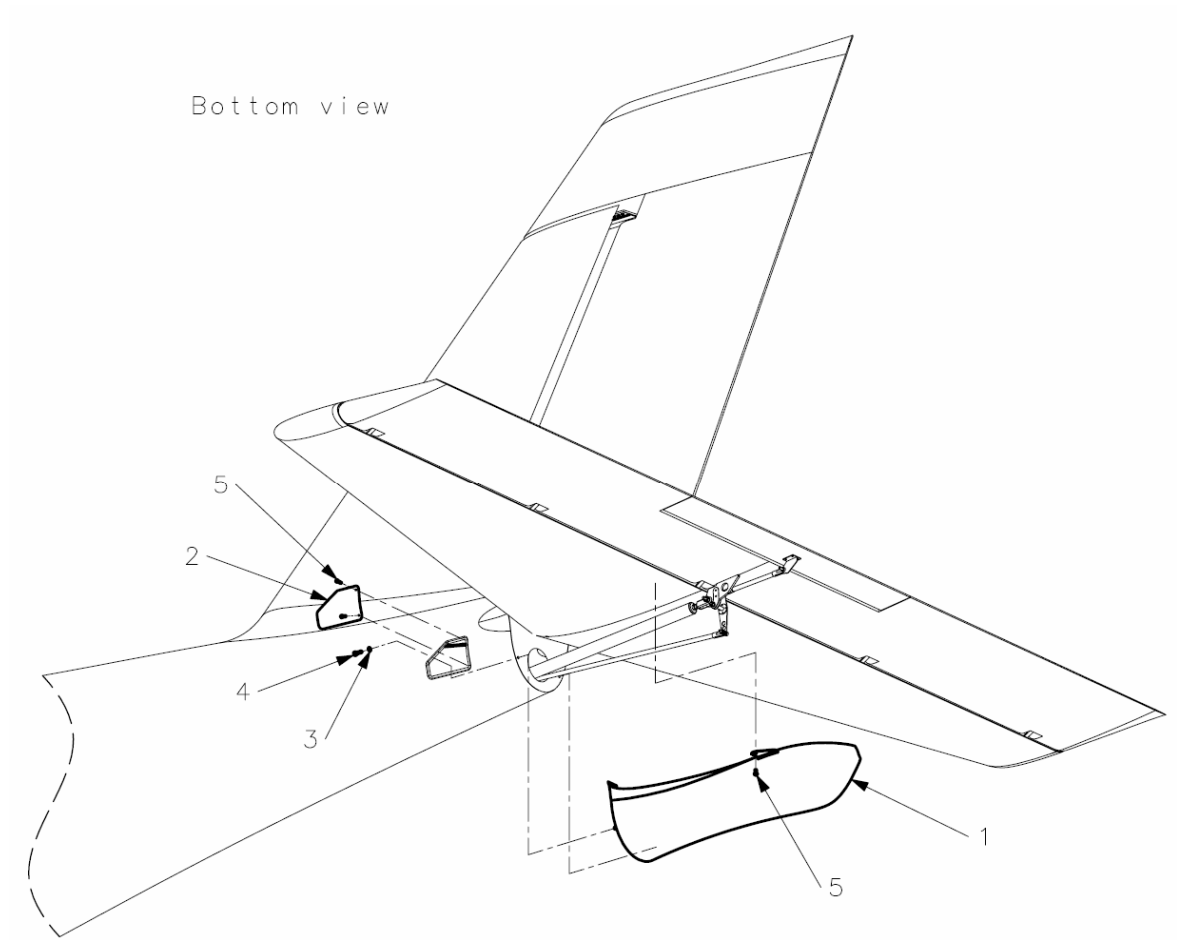
01

FUSELAGE





ITEM	PART NUMBER	NOMENCLATURE		
1	TL – 96 – 1 – 3	Step assembly		2
2	ČSN 02 1702	Washer		4
3	ČSN 02 1492	Nut		2
4	ČSN 02 1103	Bolt		2

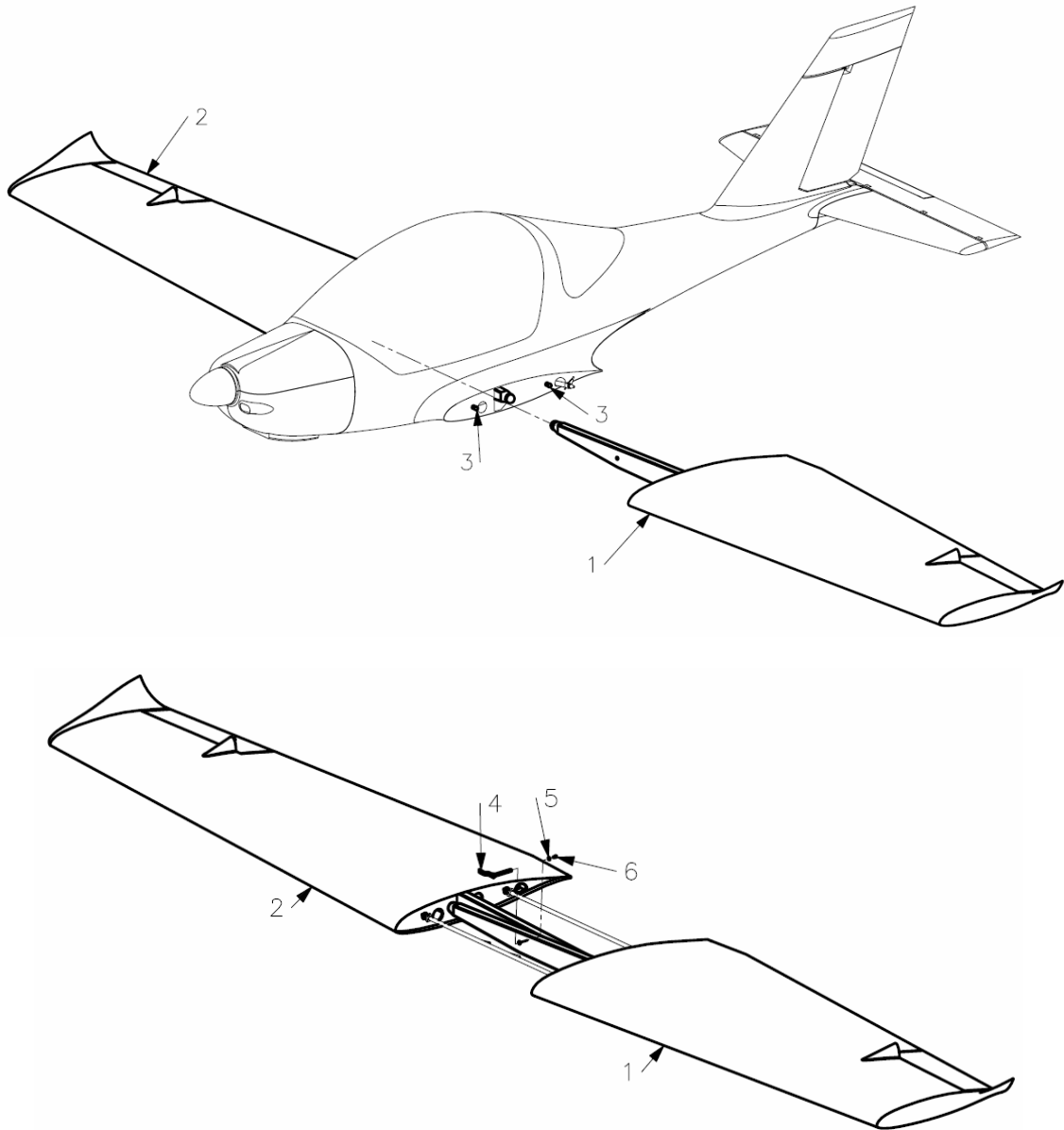


ITEM	PART NUMBER	NOMENCLATURE		
1	STING – 01 – 10	Fairing		1
2	STING – 01 – 11	Access panel		1
3	ČSN 02 1702.14	Washer		2
4	ČSN 02 1103	Bolt		2
5	ČSN 02 1146	Screw		3

CHAPTER

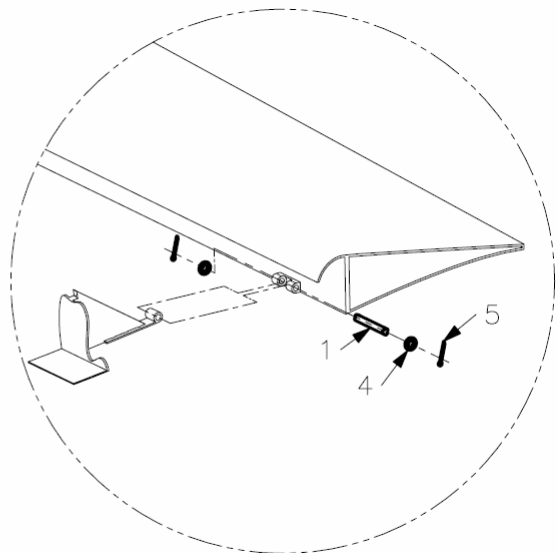
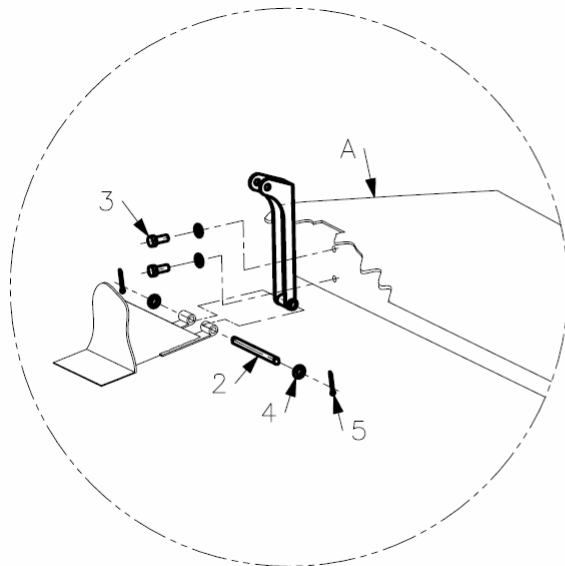
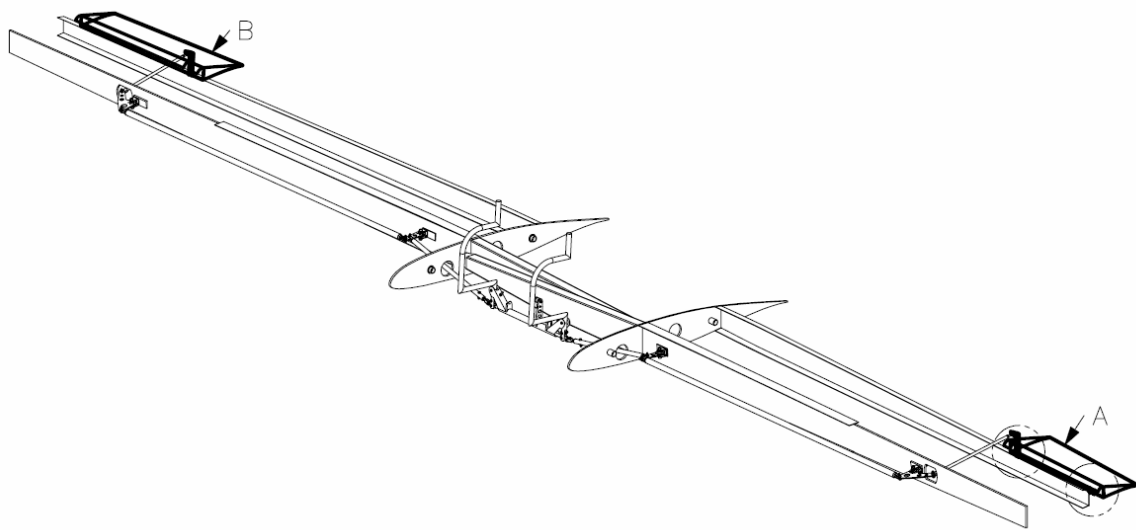
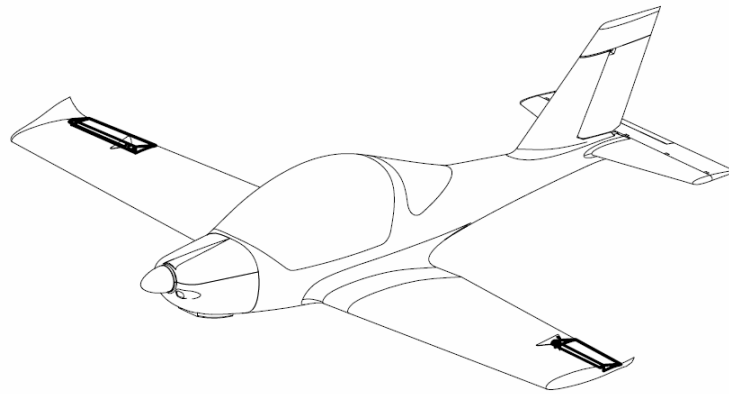
02

WING



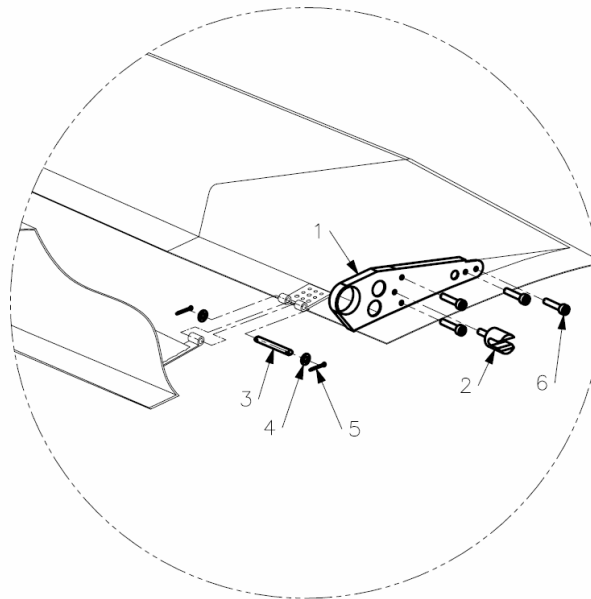
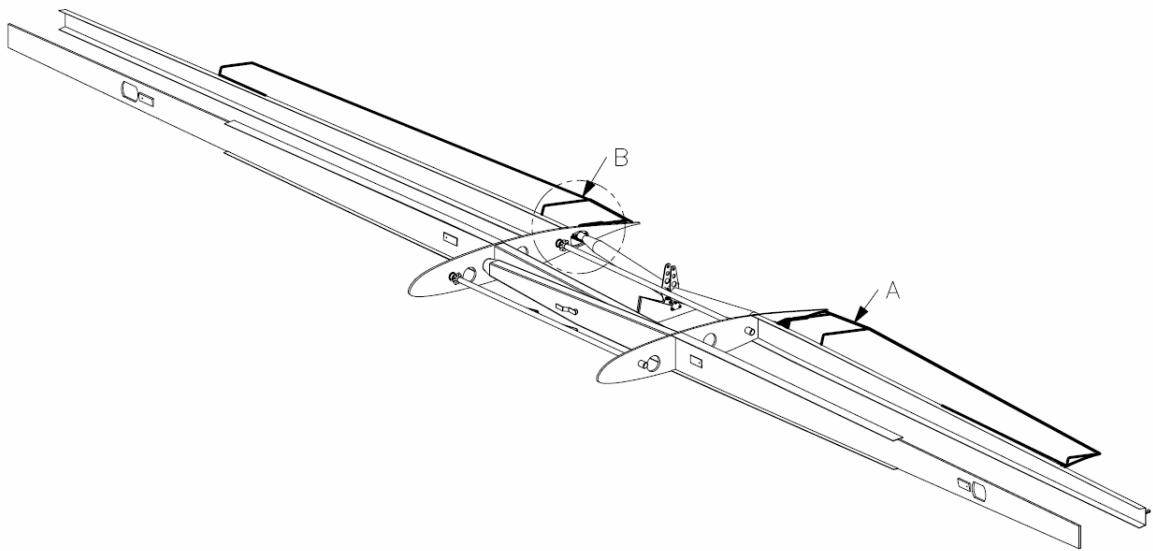
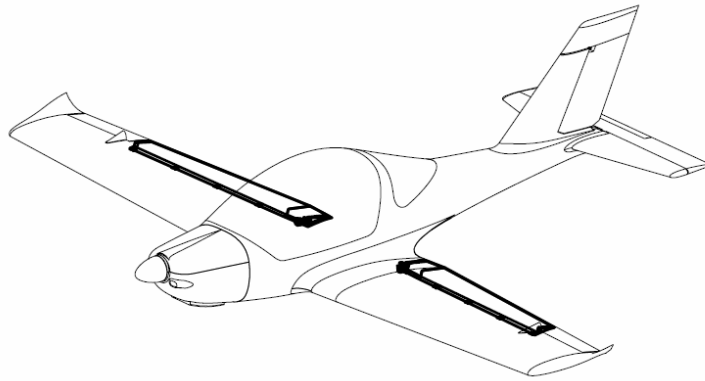
ITEM	PART NUMBER	NOMENCLATURE		
1		Wing-left		1
2		Wing-right		1
3	STING – 1 – 2	Knuckle pin		2
4	STING – 2 – 17	Bolt		1
5	ČSN 02 1103	Bolt		1
6	ČSN 02 1702	Washer		1







ITEM	PART NUMBER	NOMENCLATURE		
A		Wing-left		1
B		Wing-right		1
1	STING 2 – 14	Hinge pin		2
2	STING 2 – 14 a	Hinge pin		2
3	ČSN 02 1103	Bolt		4
4	ČSN 02 1702	Washer		12
5	ČSN 02 1781	Cotter pin		8



TL – 2000 *Sting Sport*  
 Illustrated parts catalog



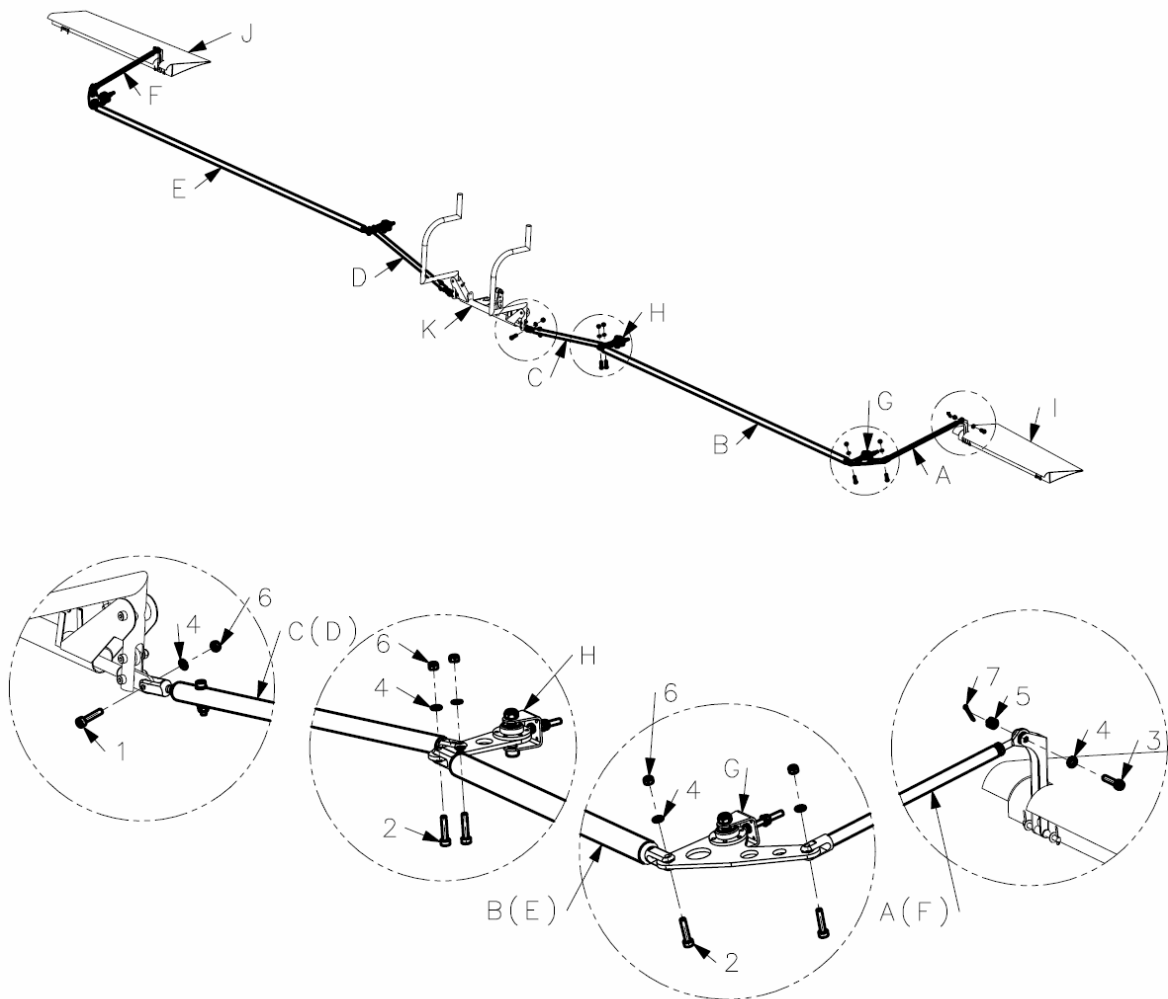
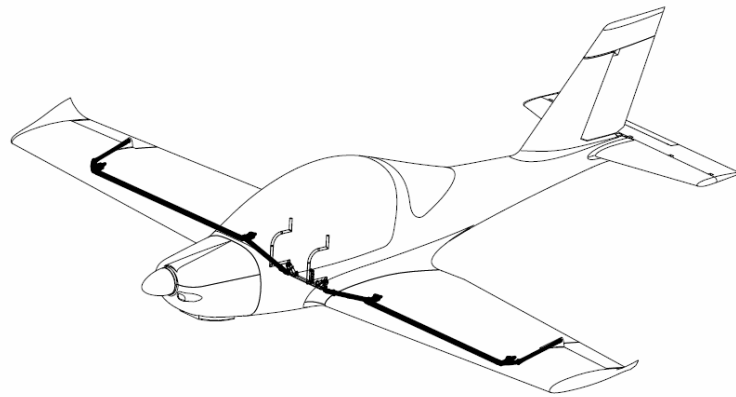
ITEM	PART NUMBER	NOMENCLATURE		
A		Flap-left		1
B		Flap-right		1
1	STING – 2 – 6	Flap bracket	L,R	2
2	STING – 2 – 9	Fork		2
3	STING – 2 – 14	Hinge pin		10
4	ČSN 02 1702	Washer		10
5	ČSN 02 1781	Cotter pin		10
6	ČSN 02 1143	Bolt		8

CHAPTER

03

FLIGHT CONTROLS INSTALLATION

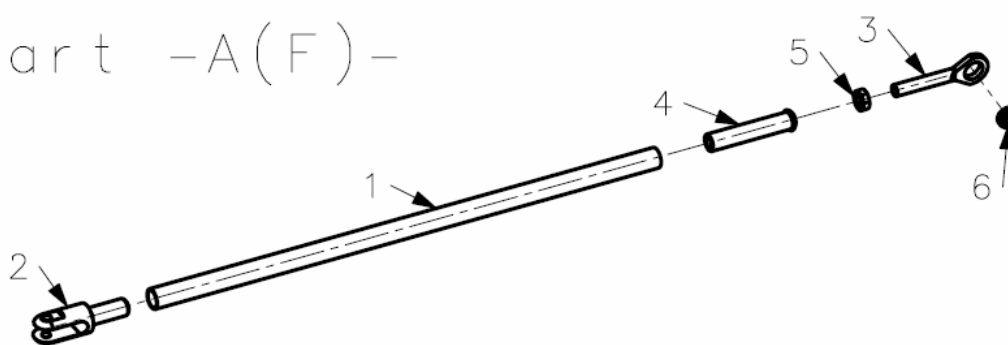
AILERON SYSTEM





ITEM	PART NUMBER	NOMENCLATURE		
A	STING – 3 – 8 L	Rod No.1 - left wing		1
B	STING – 3 – 7 L	Rod No.2 - left wing		1
C	STING – 3 – 6 L	Rod No.3 - left wing		1
D	STING – 3 – 6 R	Rod No.3- right wing		1
E	STING – 3 – 7 R	Rod No.2- right wing		1
F	STING – 3 – 8 R	Rod No.1- right wing		1
G		Rocking lever No.1		2
H		Rocking lever No.2		2
I		Aileron -left		1
J		Aileron -right		1
1	ČSN 02 1143	Bolt		2
2	ČSN 02 1143	Bolt		8
3	ČSN 02 1103	Bolt		2
4	ČSN 02 1702	Washer		46
5	ČSN 02 1411	Nut		2
6	ČSN 02 1492	Nut		10
7	ČSN 02 1781	Cotter spin		2

part -A(F)-



ITEM	PART NUMBER	NOMENCLATURE		
A	1	KR-TR 14x1	Rod	1
	2	STING – 25 – 2	Thread insert	1
	3	STING – 25 – 7	Rod end	1
	4	STING – 25 – 4	Fork end	1
	5	ČSN 02 1403	Check nut	1
	6	ČSN 02 3515	Bearing	1

part -B(E)-

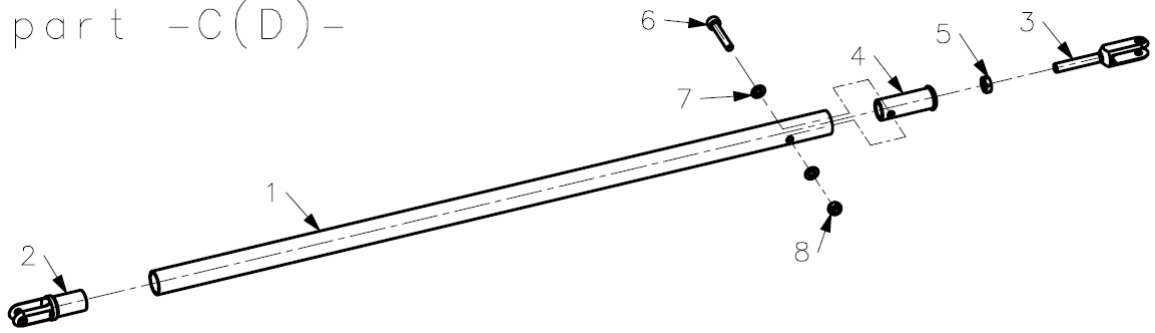


ITEM	PART NUMBER	NOMENCLATURE		
B	1	KR-TR 14x1	Rod	1
	2	STING – 25 – 2	Fork end	2



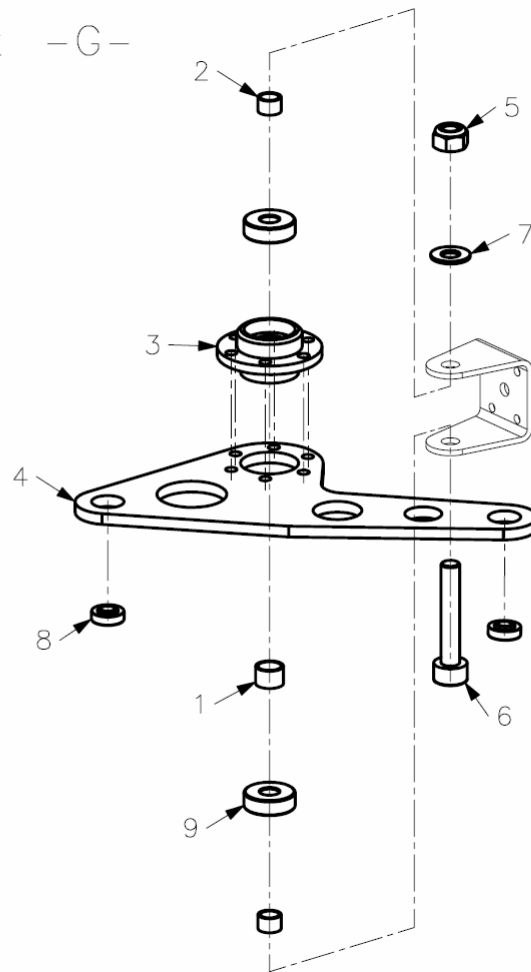


part -C(D)-

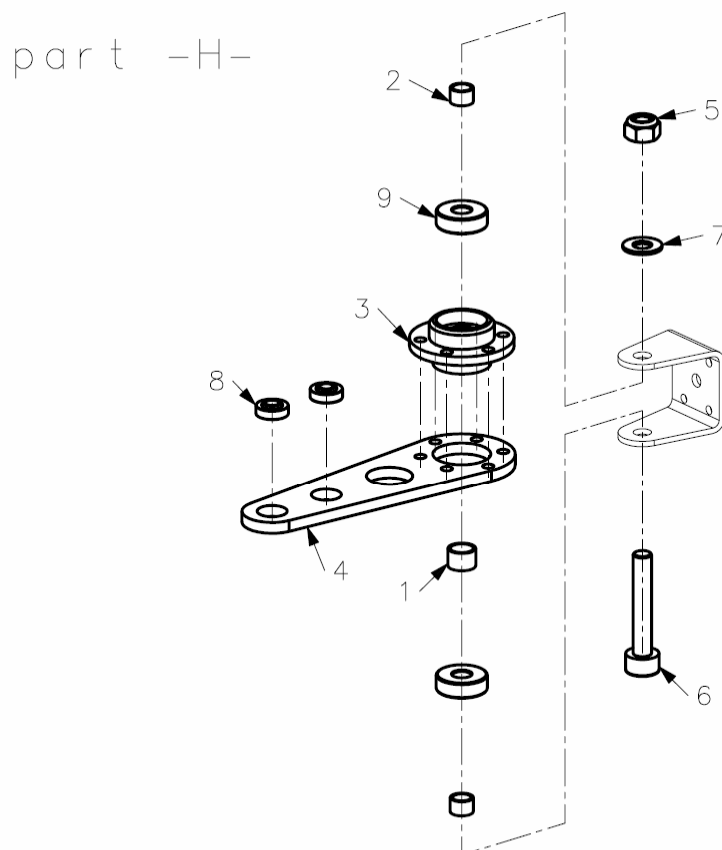


ITEM	PART NUMBER	NOMENCLATURE		
C	1	KR-TR 22x1.5	Rod	1
	2	STING – 27 – 7	Fork end	1
	3	STING – 27 – 6	Fork end	1
	4	STING – 25 – 2	Thread insert	1
	5	ČSN 02 1492	Check nut	1
	6	ČSN 02 1143	Bolt	1
	7	ČSN 02 1701	Washer	1
	8	ČSN 02 1492	Nut	1

part -G-



ITEM	PART NUMBER	NOMENCLATURE		
G	1	KR-TR 12x1	Spacer	1
	2	KR-TR 10x1	Spacer	2
	3	STING – 3 – 2	Bearing plate assembly	1
	4	STING – 3 – 5	Lever	1
	5	ČSN 02 1492	Nut	1
	6	ČSN 02 1146	Bolt	1
	7	ČSN 02 1702	Washer	1
	8	ČSN 02 3515	Bearing	2
	9	ČSN 02 4630	Bearing	2



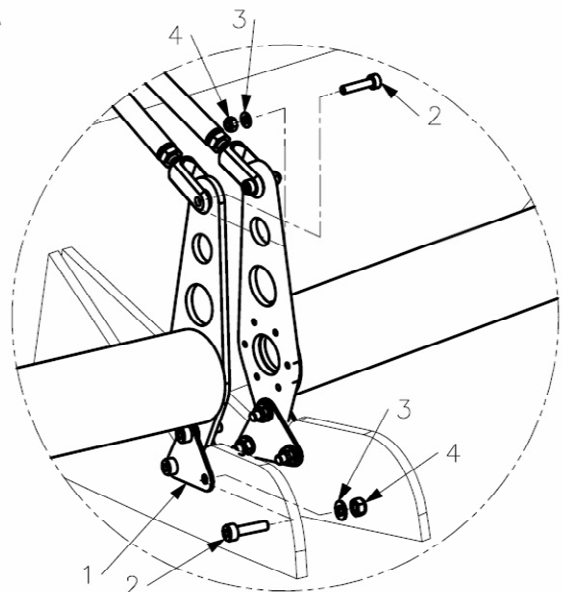
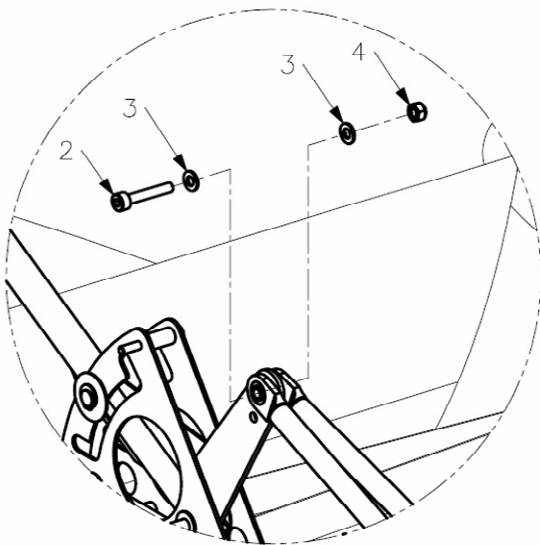
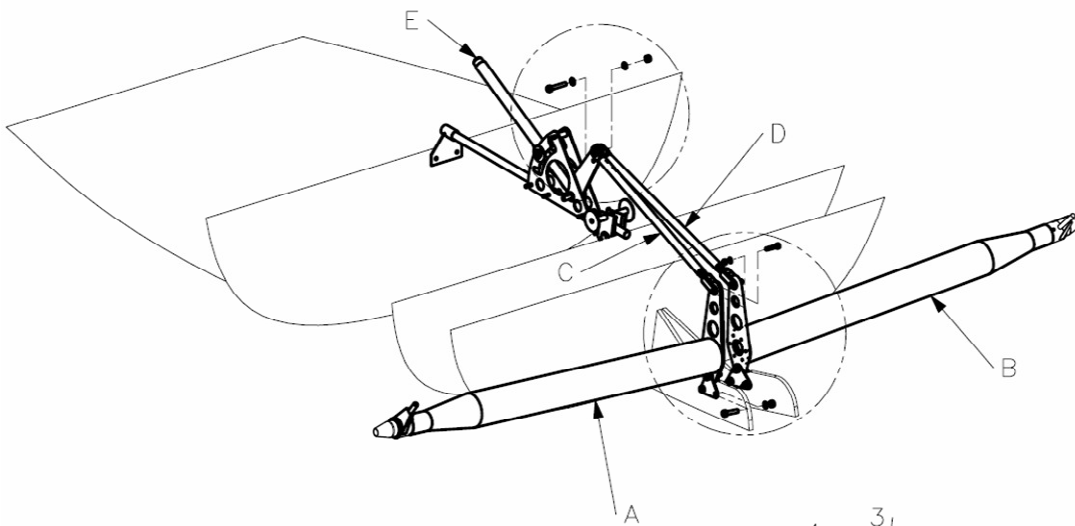
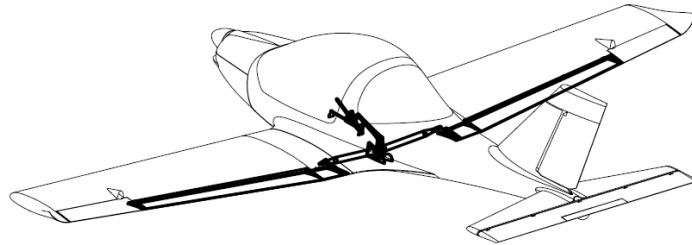
ITEM	PART NUMBER	NOMENCLATURE		
H	1	KR-TR 12x1	Spacer	1
	2	KR-TR 10x1	Spacer	2
	3	STING – 3 – 2	Bearing plate assembly	1
	4	STING – 3 – 5	Lever	1
	5	ČSN 02 1492	Nut	1
	6	ČSN 02 1146	Bolt	1
	7	ČSN 02 1702	Washer	1
	8	ČSN 02 3515	Bearing	2
	9	ČSN 02 4630	Bearing	2

CHAPTER

04

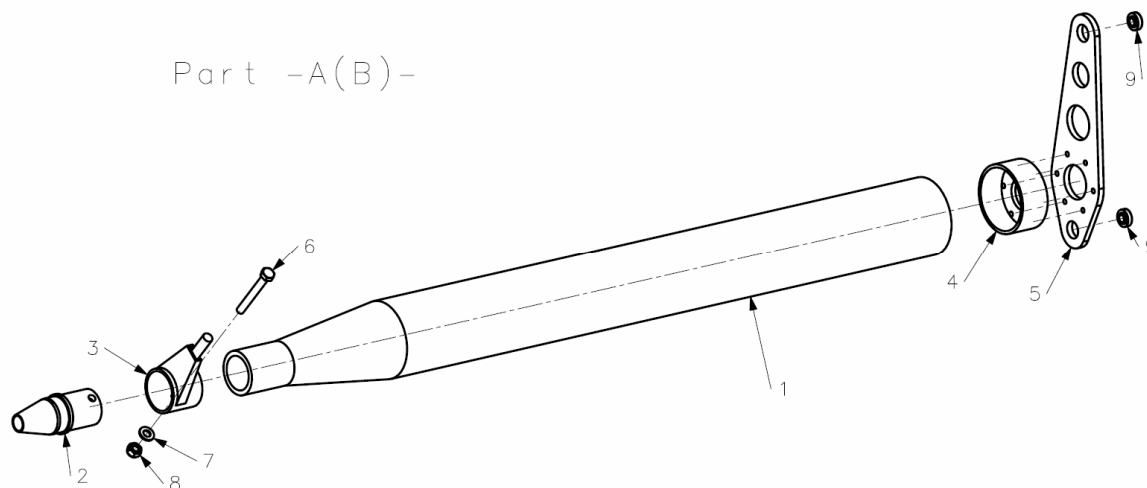
FLIGHT CONTROLS INSTALLATION

FLAP SYSTEM

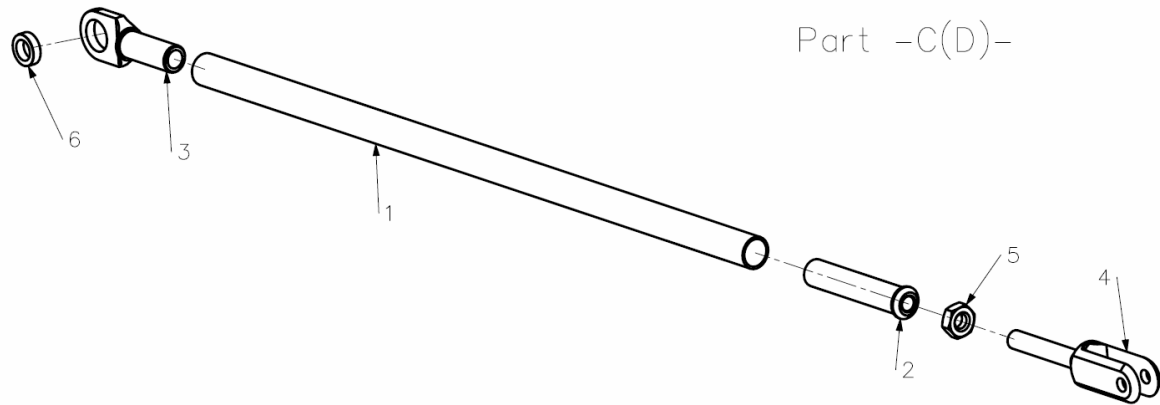




ITEM	PART NUMBER	NOMENCLATURE		
A		Flap drive - left		1
B		Flap drive - right		1
C	STING – 4 – 14	Rod		1
D	STING – 4 – 14	Rod		1
E		Flap control		1
1	STING – 4 – 6	Bracket		4
2	ČSN 02 1145	Bolt		9
3	ČSN 02 1702	Washer		10
4	ČSN 02 1492	Nut		9

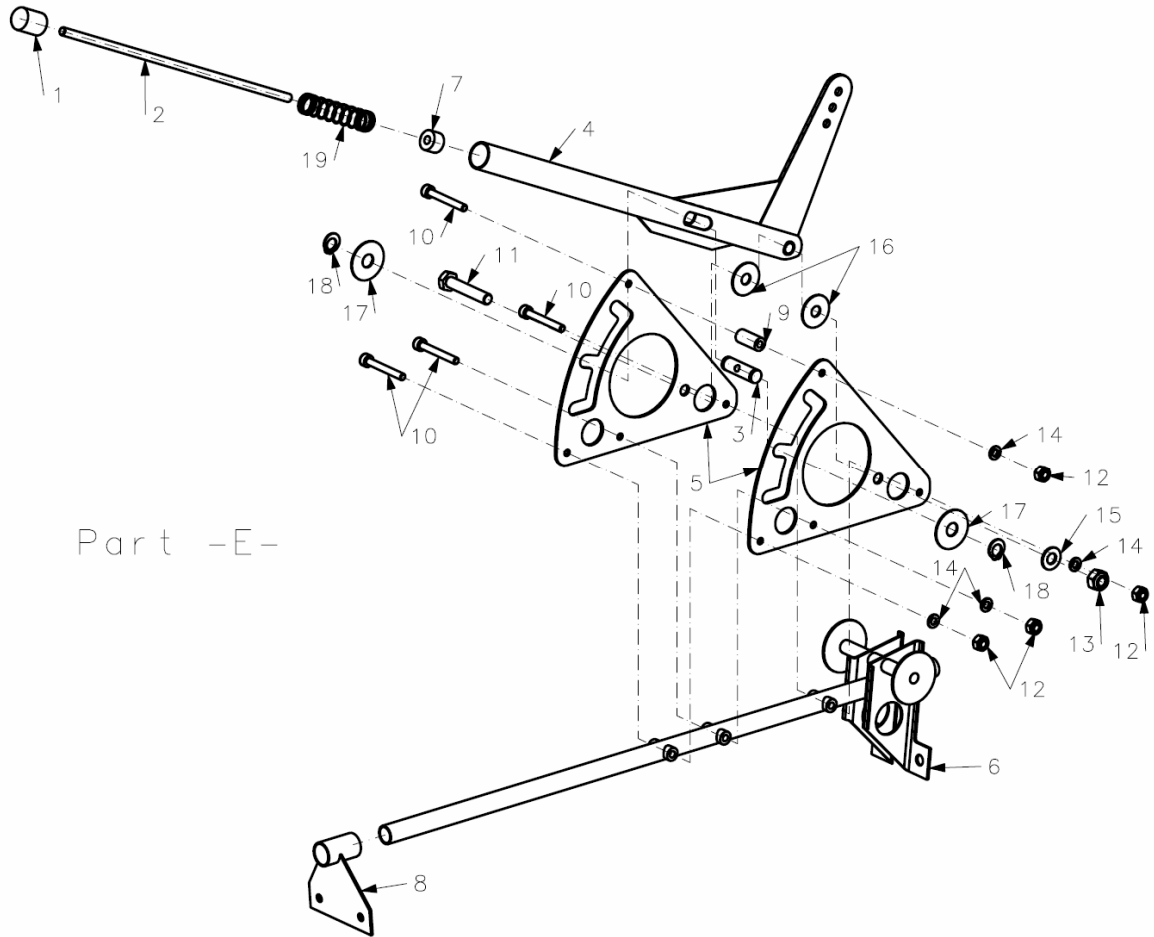


ITEM	PART NUMBER	NOMENCLATURE		
A	1	STING – 4 - 20	Torsion tube	2
	2	STING – 4 – 4	Taper pin	2
	3	STING – 4 – 5	Carrier pin	2
	4	STING – 4 – 7	Flange	2
	5	STING – 4 – 8	Lever	2
	6	ČSN 02 1143	Bolt	2
	7	ČSN 02 1702	Washer	2
	8	ČSN 02 1492	Nut	2
	9	ČSN 02 3515	Bearing	2



ITEM	PART NUMBER	NOMENCLATURE		
C	1	KR-TR 14x1	Rod	2
	2	STING – 25 – 1	Thread insert	2
	3	STING – 25 – 5	Rod end	2
	4	STING – 25 – 6	Fork end	2
	5	ČSN 02 1401	Check nut	2
	6	ČSN 02 3515	Bearing	2





Part -E-



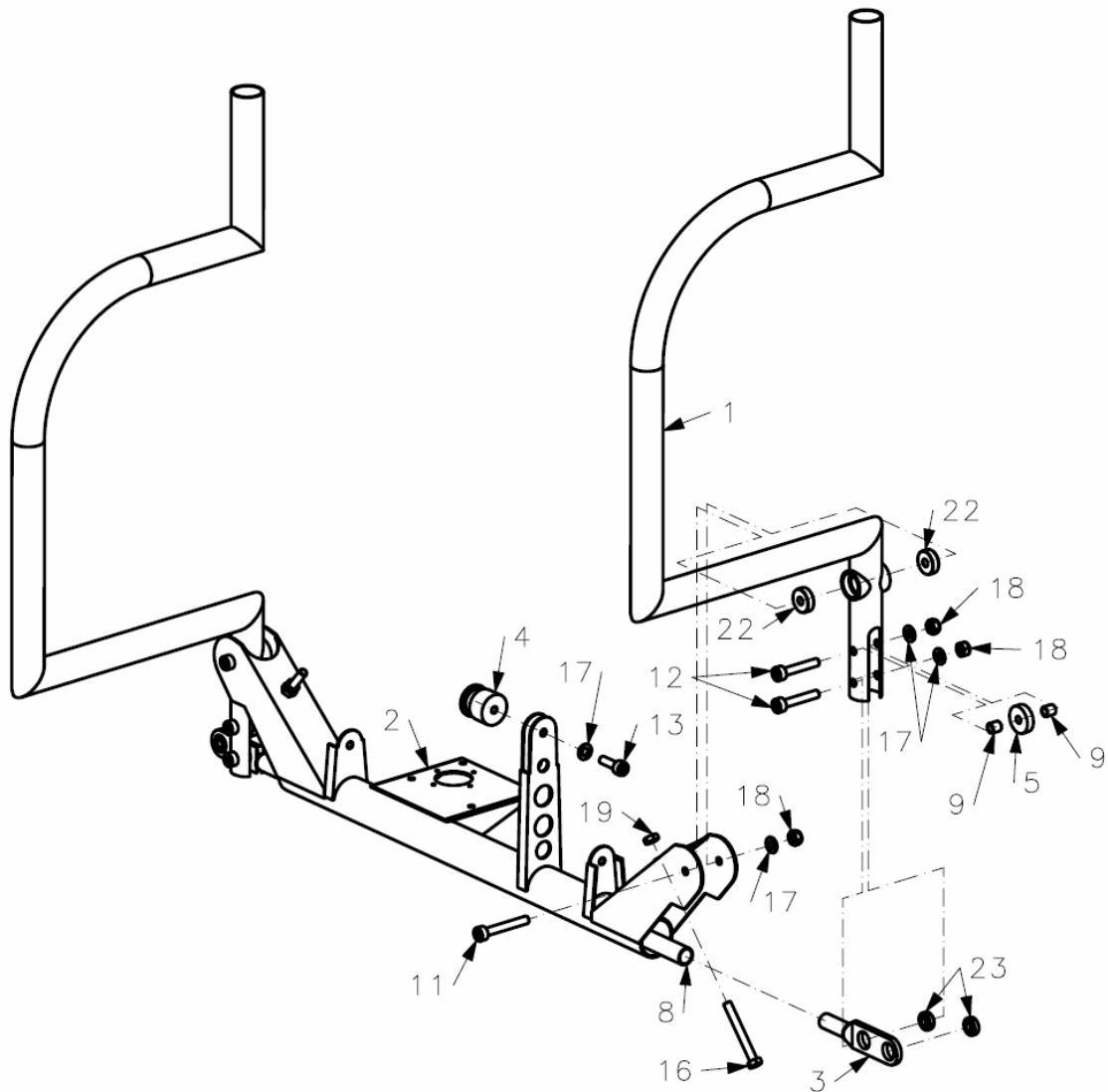
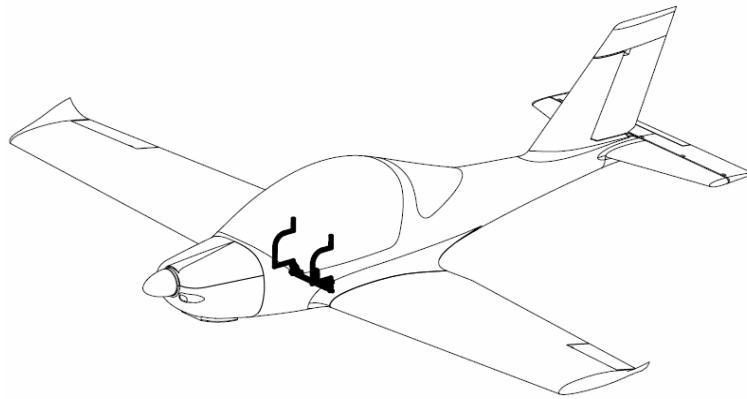
ITEM	PART NUMBER	NOMENCLATURE		
E 1	STING – 4 – 1	Arresting button		1
2	STING – 4 – 2	Rod		1
3	STING – 4 – 3	Arresting pin		1
4	STING – 4 – 9	Control lever		1
5	STING – 4 – 10	Gate		2
6	STING – 4 – 11	Bracket		1
7	STING – 4 – 12	Washer		1
8	STING – 4 – 13	Bracket		1
9	STING – 4 – 20	Spacer		1
10	ČSN 02 1143.55	Bolt		4
11	ČSN 02 1101.55	Bolt		1
12	ČSN 02 1492.25	Nut		4
13	ČSN 02 1492.55	Nut		1
14	ČSN 02 1702.15	Washer		4
15	ČSN 02 1702.15	Washer		1
16		Washer Ø8,4,xØ25 - Penefol		2
17		Washer Ø10,2xØ30 - Penefol		2
18	ČSN 02 2930	Lock ring		2
19	ČSN 02 6003	Spring		1

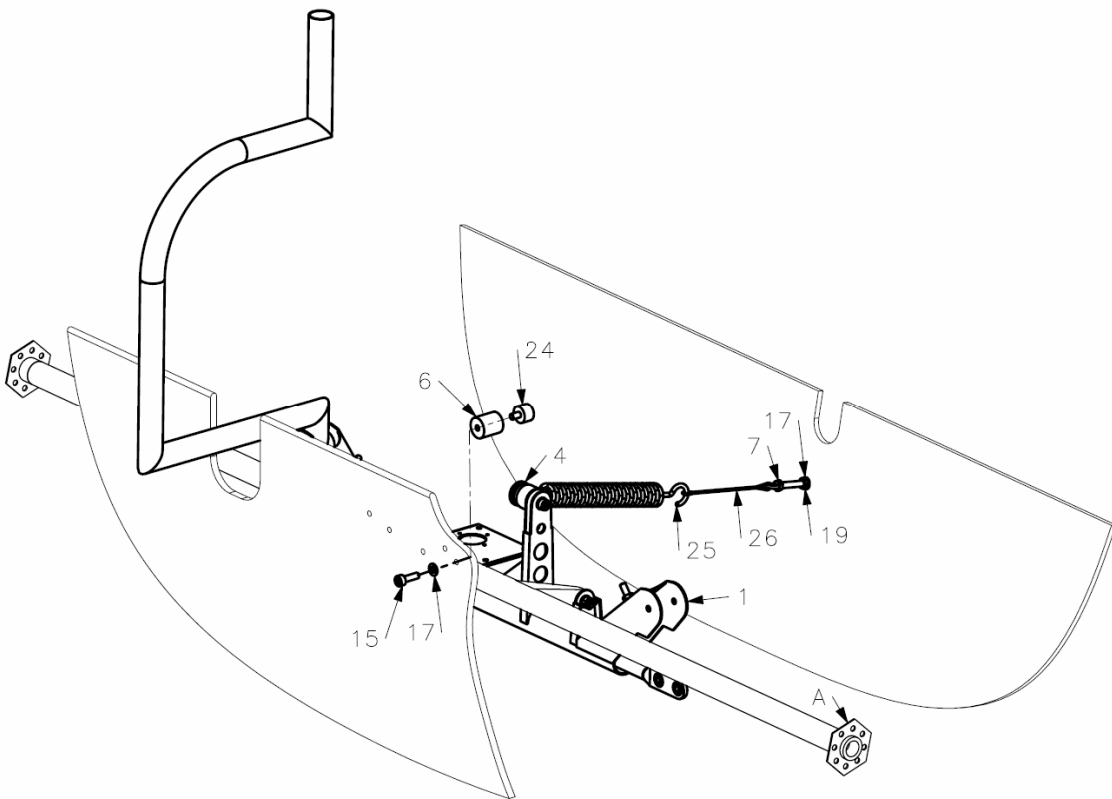
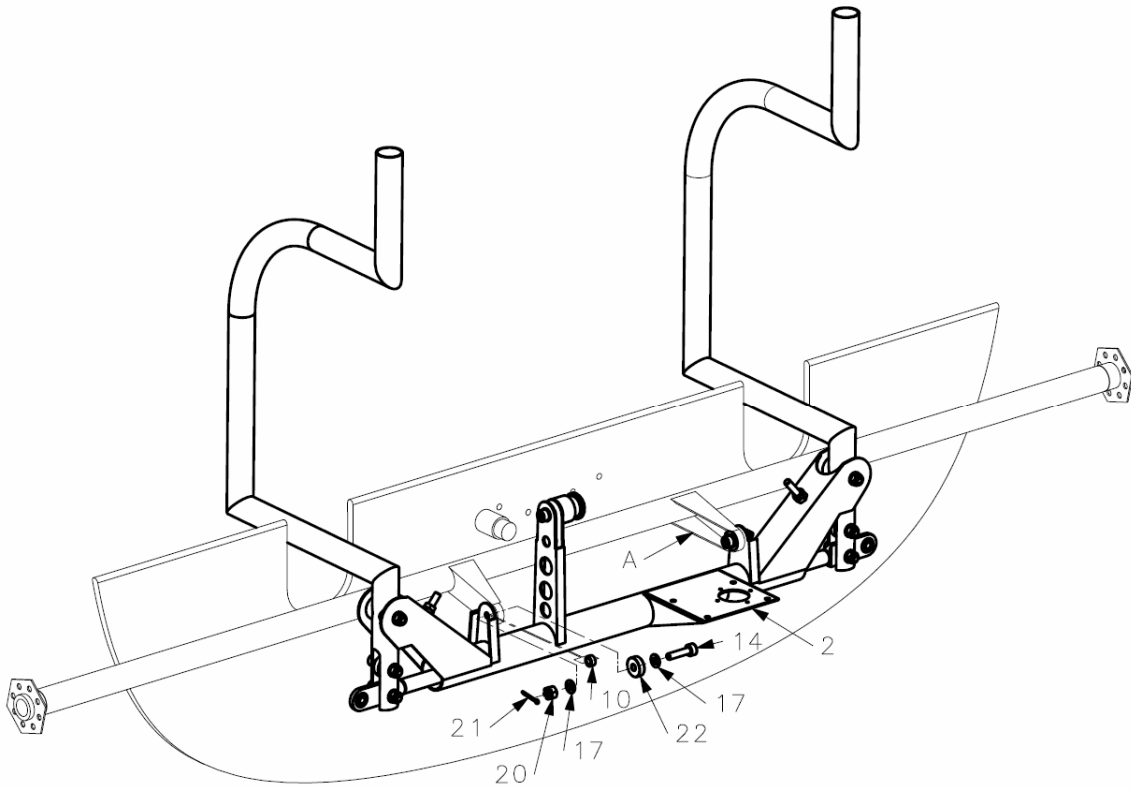
CHAPTER

**05**

FLIGHT CONTROLS INSTALLATION

CONTROL STICK







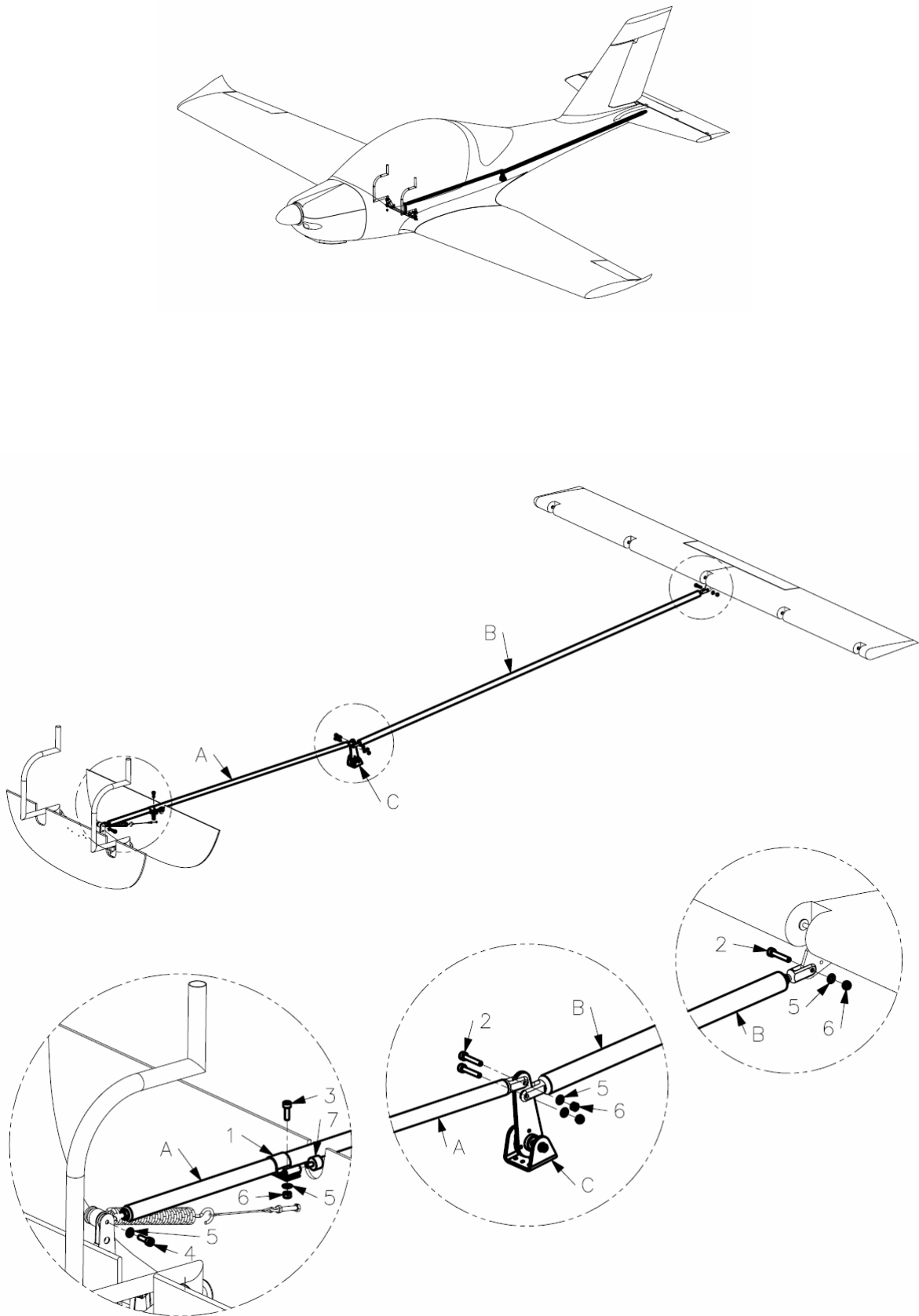
ITEM	PART NUMBER	NOMENCLATURE		
A	STING – 1 – 1	Spacer bar- fuselage assembly		2
1	STING – 5 – 2	Control stick		1
2	STING – 5 – 3	Control stick mount		2
3	STING – 25 – 10	Double eye end		1
4	STING – 5 – 5	Spring holder		2
5	STING – 5 – 6	Control stick steering stop		1
6	STING – 5 – 4	Front steering stop		1
7	STING – 9 – 8	Eye bolt		1
8	KR-TR 22x1	Pull		4
9	KR-TR 8x1	Spacer		2
10	KR-TR 10x2	Spacer		2
11	ČSN 02 1143	Bolt		6
12	ČSN 02 1143	Bolt		1
13	ČSN 02 1143	Bolt		1
14	ČSN 02 1101	Bolt		1
15	ČSN 02 1101	Bolt		2
16	ČSN 02 1101	Bolt		12
17	ČSN 02 1702	Washer		6
18	ČSN 02 1492	Nut		2
19	ČSN 02 1403	Nut		1
20	ČSN 02 1411	Nut		2
21	ČSN 02 1781	Cotter-pin		6
22	ČSN 02 4630	Bearing		4
23	ČSN 02 3515	Bearing		1
24		Silent block		1
25		Spring		1
26		Cable		1

CHAPTER

06

FLIGHT CONTROLS INSTALLATION

ELEVATOR SYSTEM

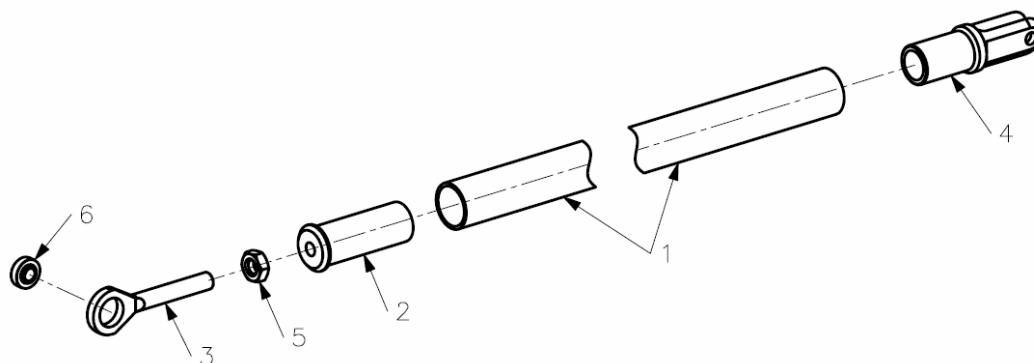






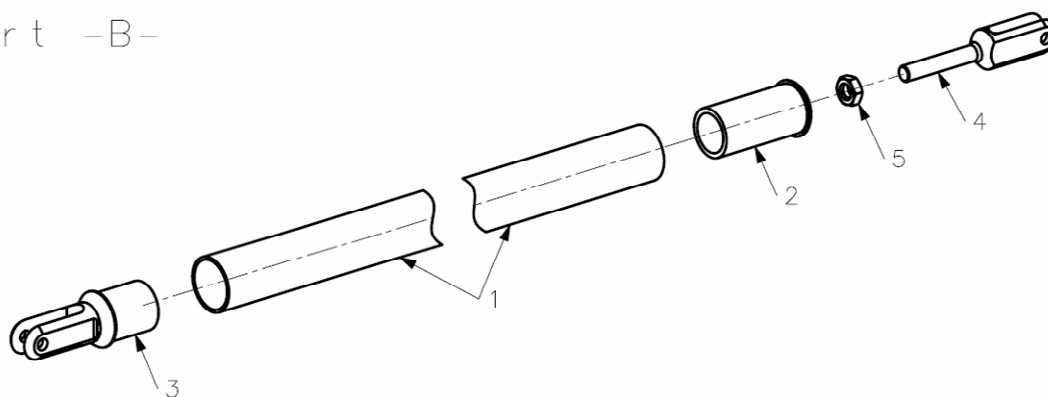
ITEM	PART NUMBER	NOMENCLATURE		
A		Rod - front		1
B		Rod - rear		1
C		Middle lever assembly		1
1	STING – 5 – 1	Rear steering stop		1
2	ČSN 02 1143	Bolt		3
3	ČSN 02 1143	Bolt		1
4	ČSN 02 1143	Bolt		1
5	ČSN 02 1702	Washer		5
6	ČSN 02 1492	Nut		4
7		Rubber-bonded metal mount		1

part -A-



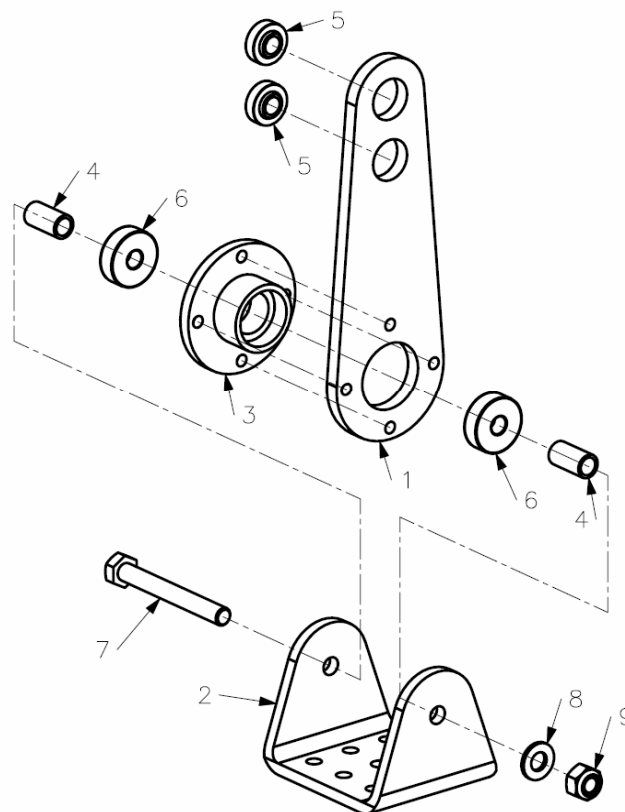
ITEM	PART NUMBER	NOMENCLATURE		
A	1	KR-TR 22x1,5	Rod	1
	2	STING – 25 – 2	Thread insert	1
	3	STING – 25 – 7	Rod end	1
	4	STING – 25 – 4	Fork end	1
	5	ČSN 02 1403	Check nut	1
	6	ČSN 02 3515	Bearing	1

part -B-



ITEM	PART NUMBER	NOMENCLATURE		
B	1	KR-TR 28x1,5	Rod	1
	2	STING – 25 – 3	Thread insert	1
	3	STING – 25 – 6	Fork end	1
	4	STING – 25 – 8	Fork end	1
	5	ČSN 02 1403	Check nut	1

part -C-

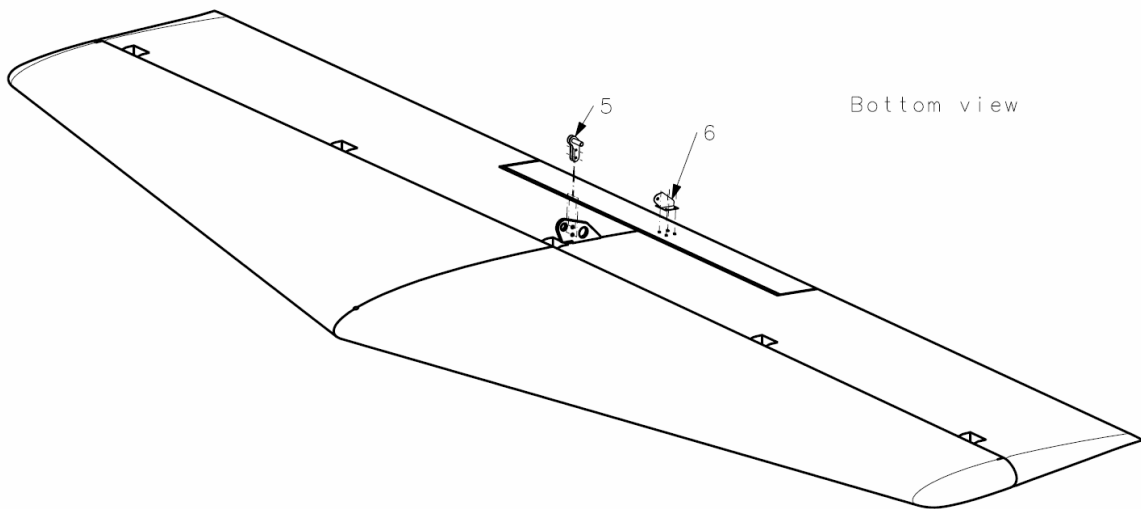
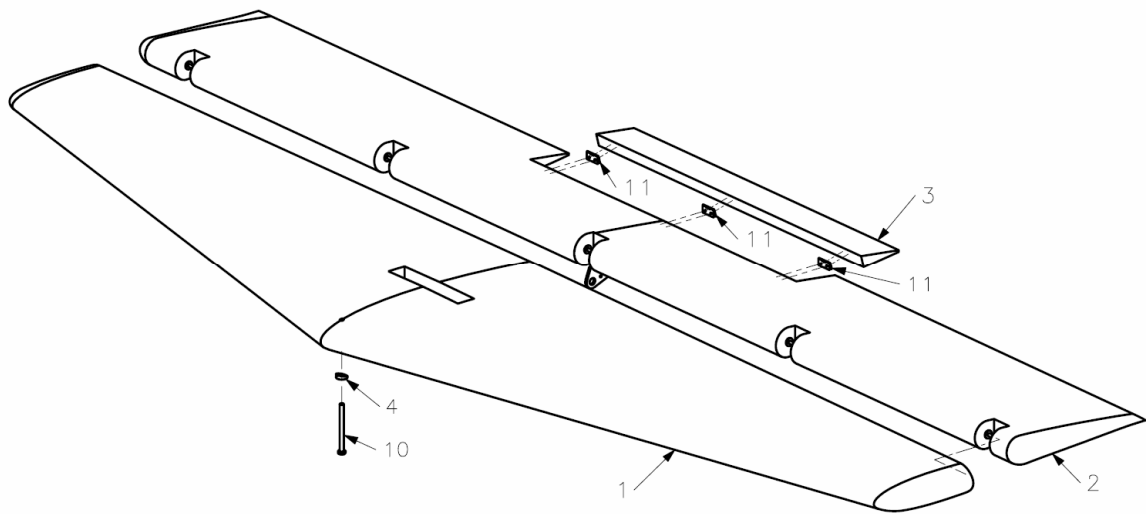
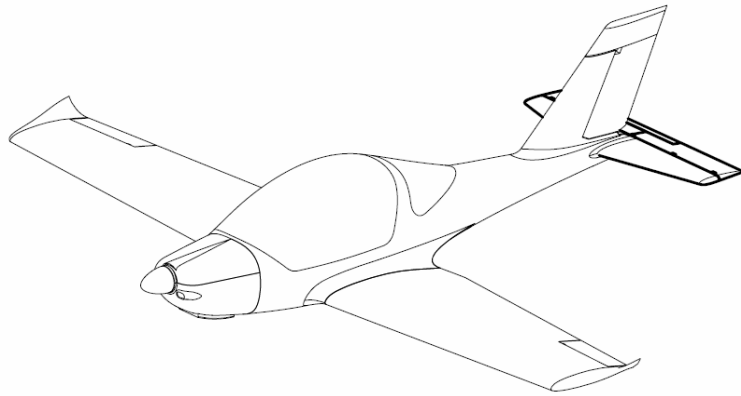


ITEM	PART NUMBER	NOMENCLATURE		
C	1	STING – 6 – 4	Rocking lever	1
	2	STING – 6 – 1	Bracket	1
	3	STING – 6 – 3	Flange	1
	4	TR-KR 8x1	Spacer	2
	5	ČSN 02 3515	Bearing	2
	6	ČSN 02 4630	Bearing	2
	7	ČSN 02 1101	Bolt	1
	8	ČSN 02 1702	Washer	1
	9	ČSN 02 1492	Nut	1

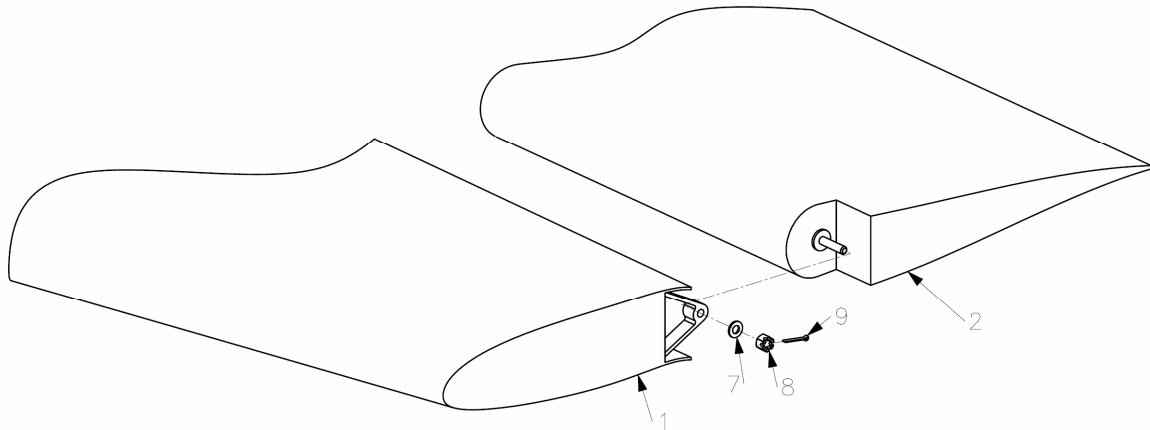
CHAPTER

**07**

ELEVATOR INSTALLATION



Bottom view



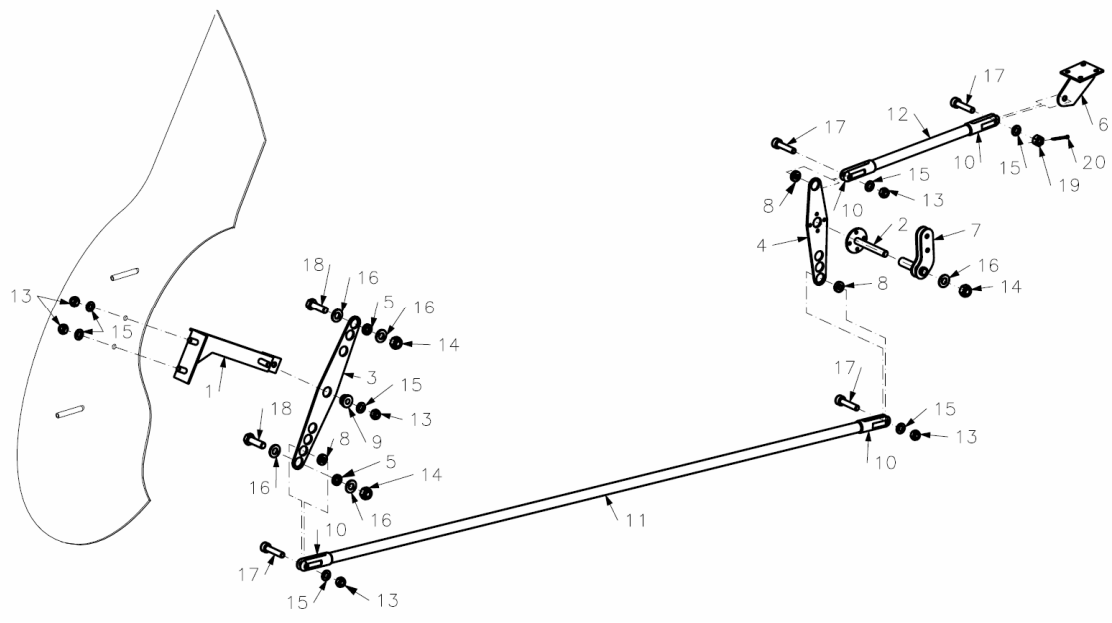
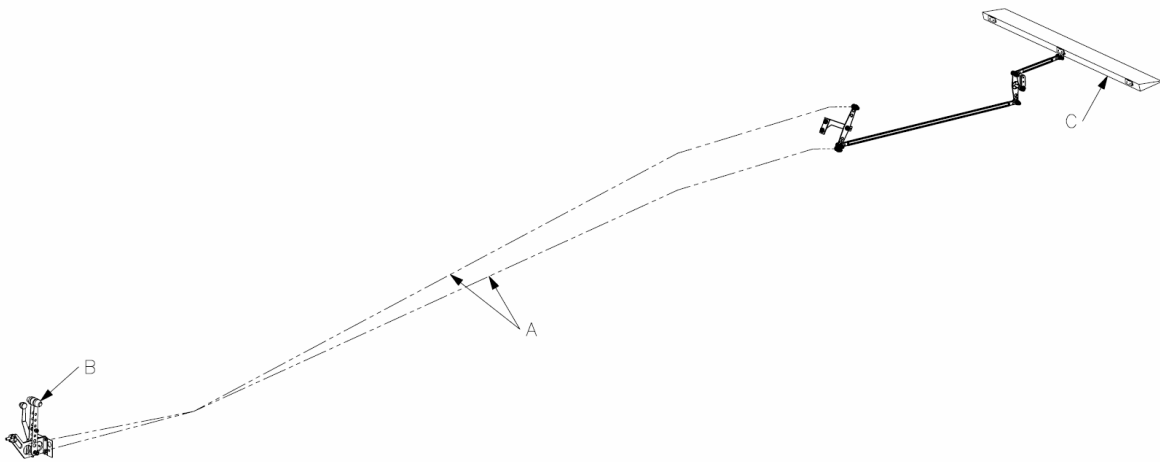
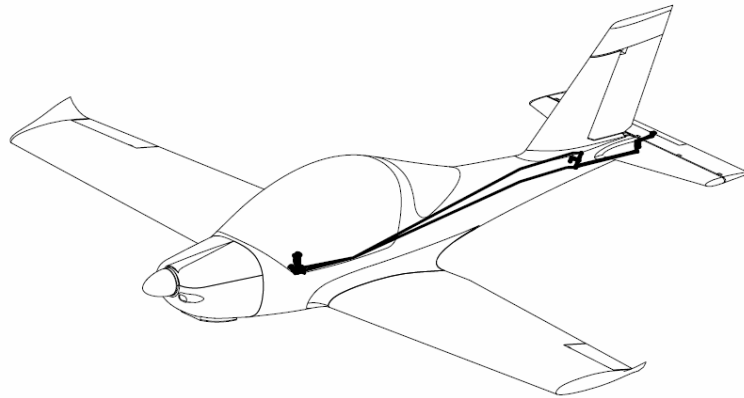
ITEM	PART NUMBER	NOMENCLATURE		
1		Horizontal stabilizer		1
2		Elevator		1
3		Trim tab		1
4	STING – 7 – 6	Washer		1
5	STING – 8 – 7	Bracket - lever No.2		1
6	STING – 8 – 6	Lever No.3		1
7	ČSN 02 1702	Washer		5
8	ČSN 02 1411	Nut		5
9	ČSN 02 1781	Cotter-pin		5
10	ČSN 02 1101	Bolt		1
11		Hinge		3

CHAPTER

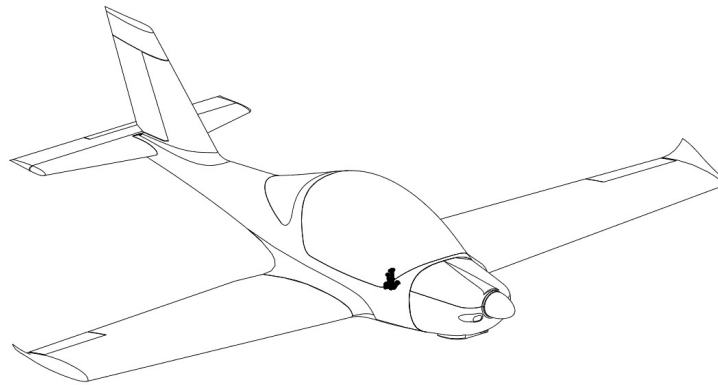
08

FLIGHT CONTROLS INSTALLATION

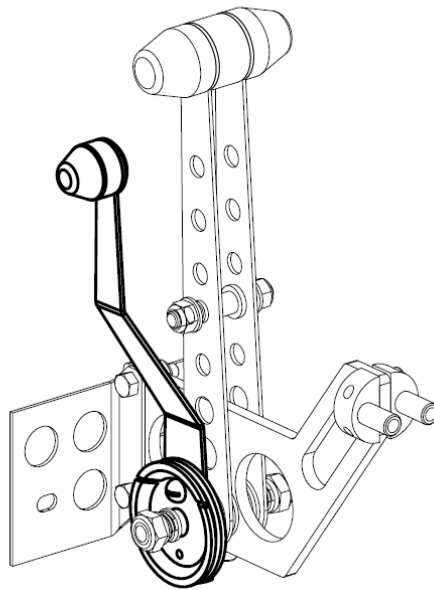
TRIM SYSTEM







Part -B-





ITEM	PART NUMBER	NOMENCLATURE		
A	ČSN 02 4324	Cable		1
B	STING – 16 – xx	Control lever		1
C	STING – 7 – xx	Trim tab		1
1	STING – 8 – 1	Bracket - lever No.1		1
2	STING – 8 – 2	Axle - lever No.2		1
3	STING – 8 – 3	Lever No.1		1
4	STING – 8 – 4	Lever No.2		1
5	STING – 8 – 5	Pin bushing		2
6	STING – 8 – 6	Lever No.3		1
7	STING – 8 – 7	Bracket - lever No.2		1
8	STING – 8 – 8	Pin bushing		3
9	STING – 8 – 9	Pin bushing		1
10	STING – 25 – 9	Fork end		4
11	KR-TR 10x1	Rod		1
12	KR-TR 10x1	Rod		1
13	ČSN 02 1492	Nut		7
14	ČSN 02 1492	Nut		3
15	ČSN 02 1702	Washer		7
16	ČSN 02 1702	Washer		5
17	ČSN 02 1143	Bolt		4
18	ČSN 02 1101	Bolt		2
19	ČSN 02 1411	Nut		1
20	ČSN 02 1781	Cotter-pin		1

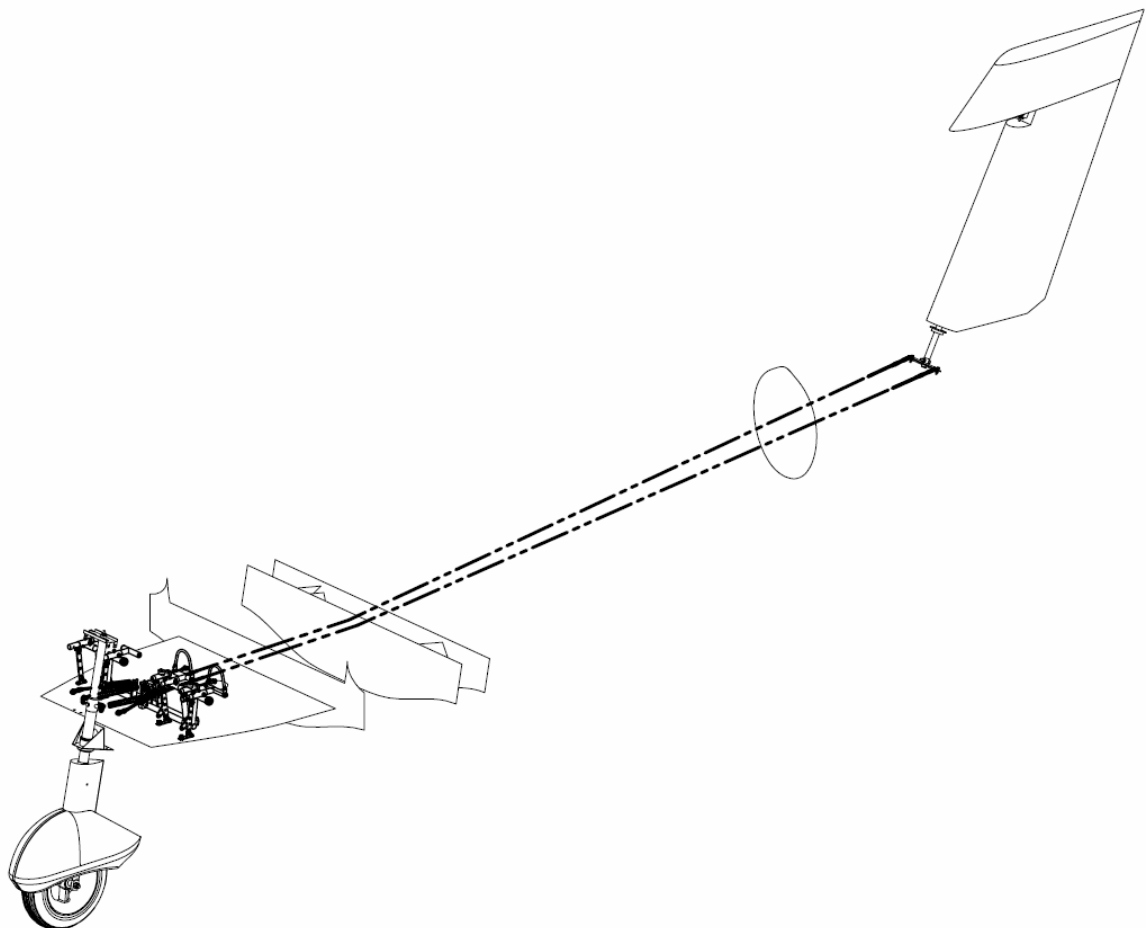
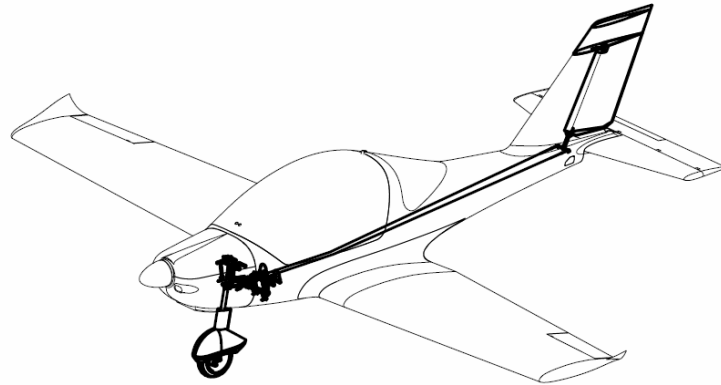
CHAPTER

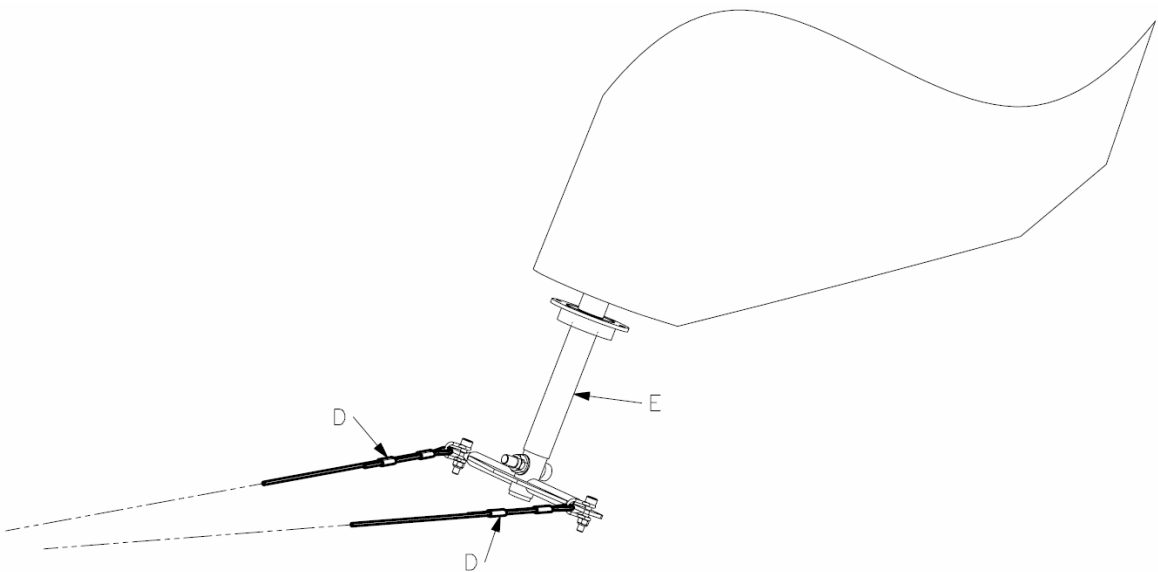
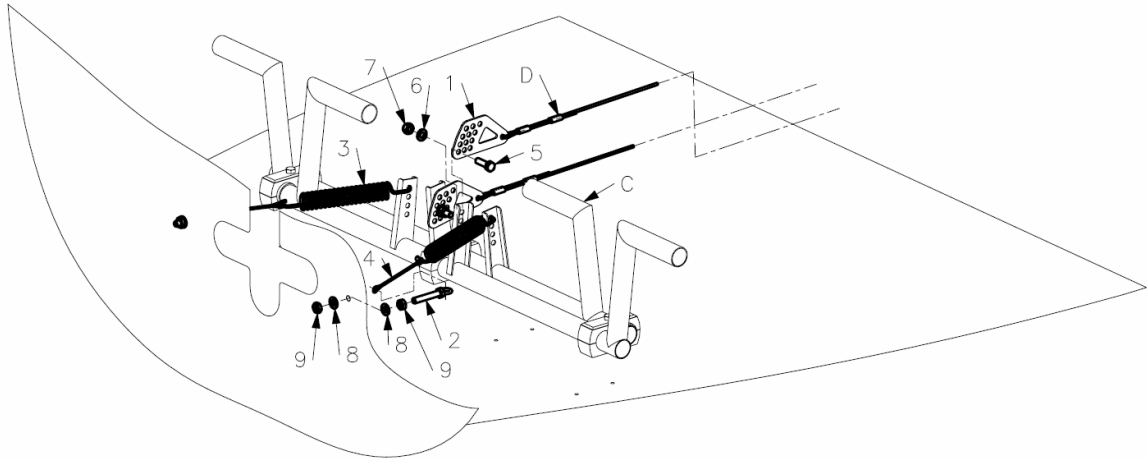
09

FLIGHT CONTROLS INSTALLATION

RUDDER SYSTEM

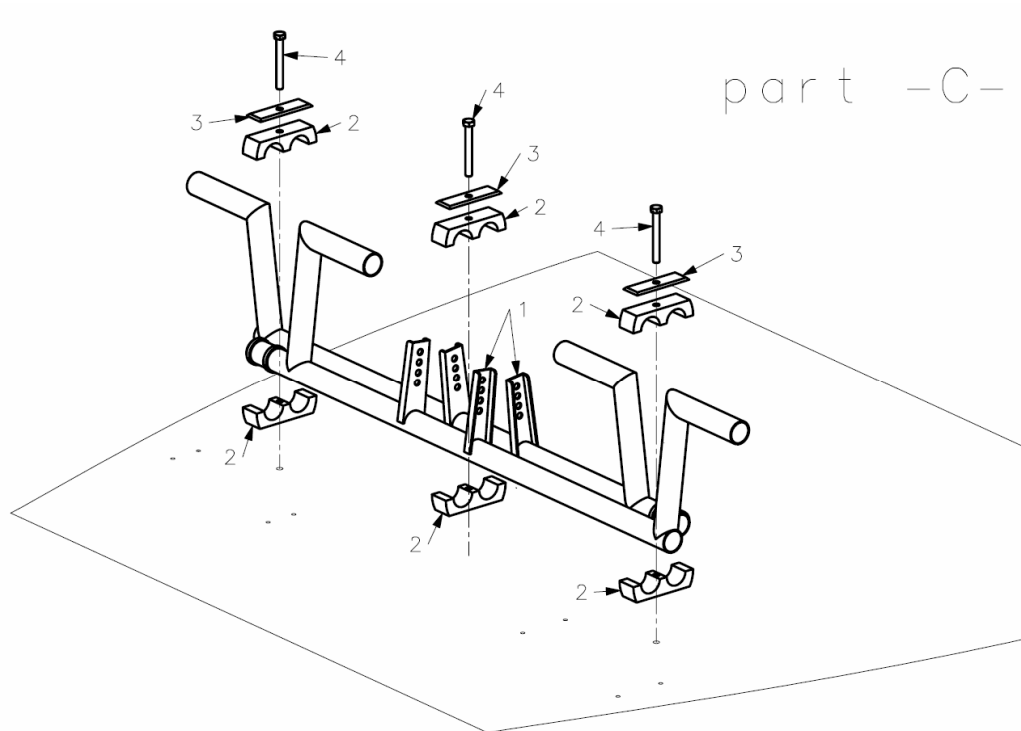
DIRECTION CONTROL, BRAKE SYSTEM







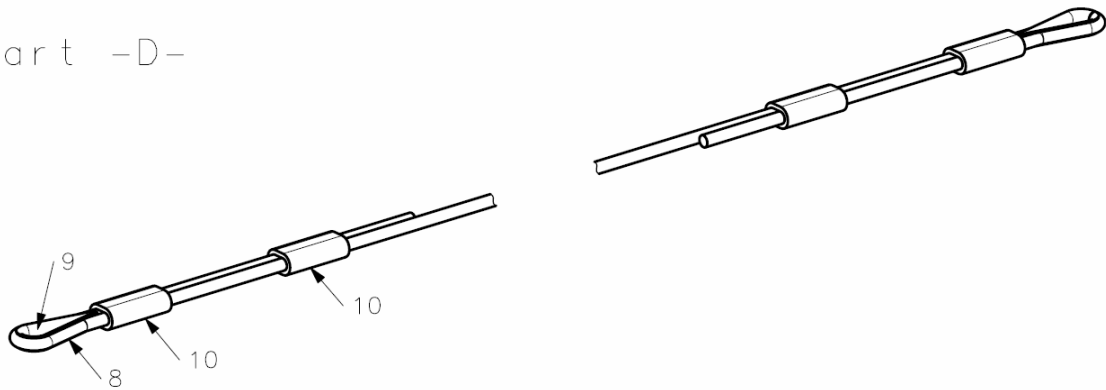
ITEM	PART NUMBER	NOMENCLATURE		
C		Control pedals		1
D		Cable		2
E	STING – 14 – xx	Rudder assembly		1
1	STING – 9 – 4	Strainer		2
2	STING – 9 – 8	Eye bolt		2
3		Spring		2
4		Cable		2
5	ČSN 02 1101	Bolt		2
6	ČSN 02 1702	Washer		4
7	ČSN 02 1492	Nut		7
8	ČSN 02 1727	Washer		4
9	ČSN 02 1492	Nut		4



ITEM	PART NUMBER	NOMENCLATURE		
C	1	STING – 9 – 1	Control pedals	2
	2	STING – 9 – 2	Mounting bracket	3
	3	STING – 9 – 3	Thrust plate	3
	4	ČSN 02 1101	Bolt	3

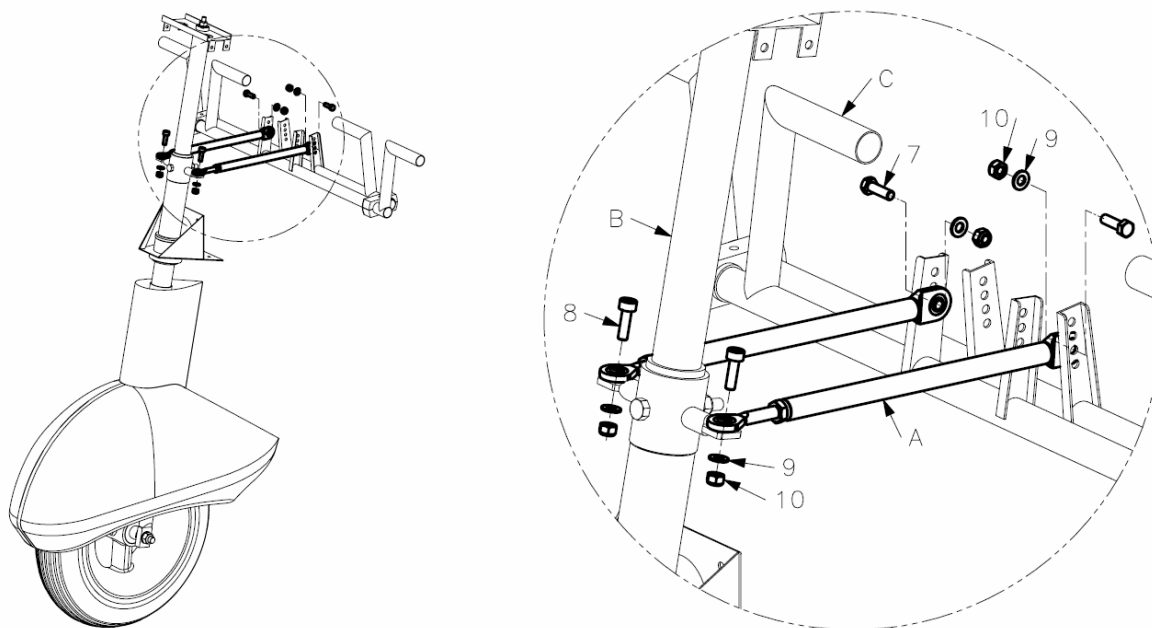


part -D-

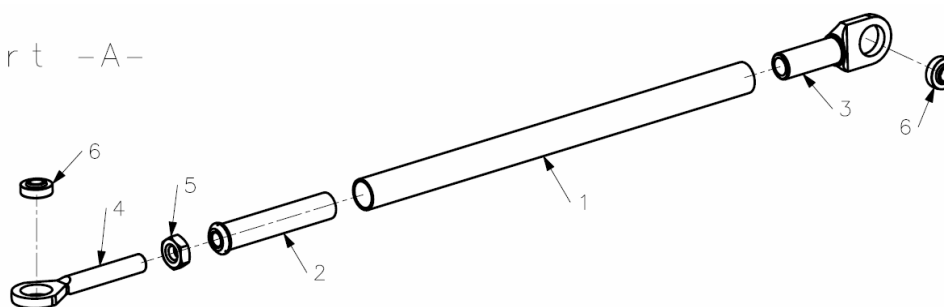


ITEM	PART NUMBER	NOMENCLATURE		
D	8	ČSN 02 4323	Cable	2
	9	ČSN 02 4490	Dead eye	4
	10	ČSN 02 4481	Collar	8

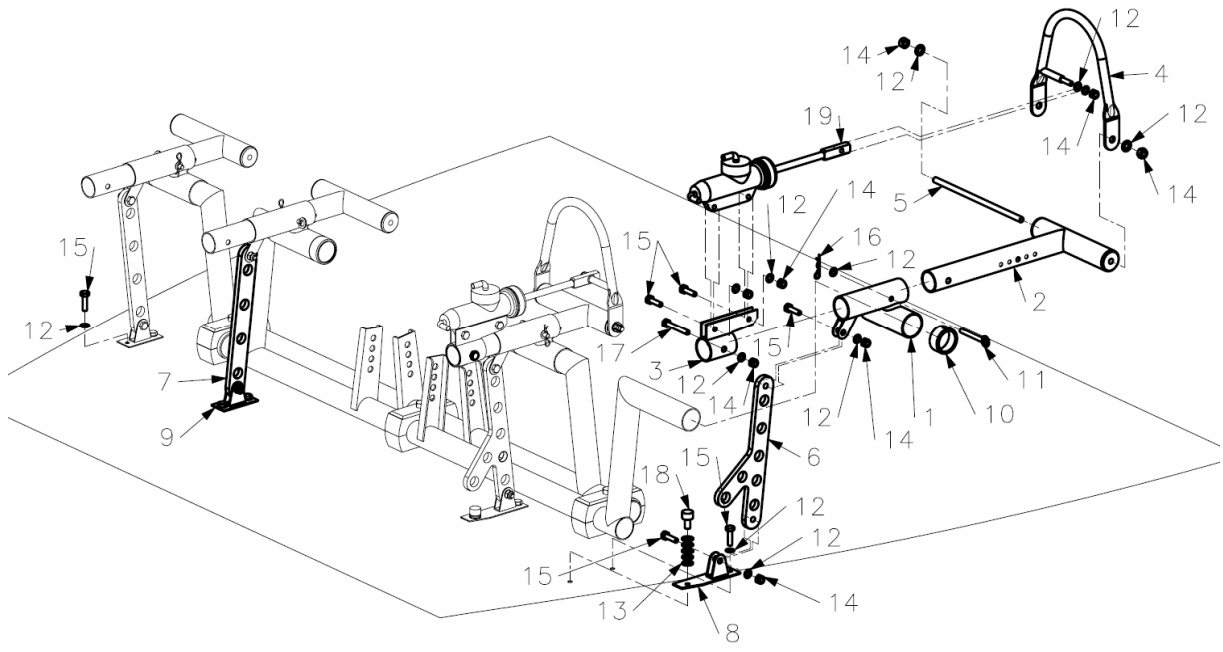
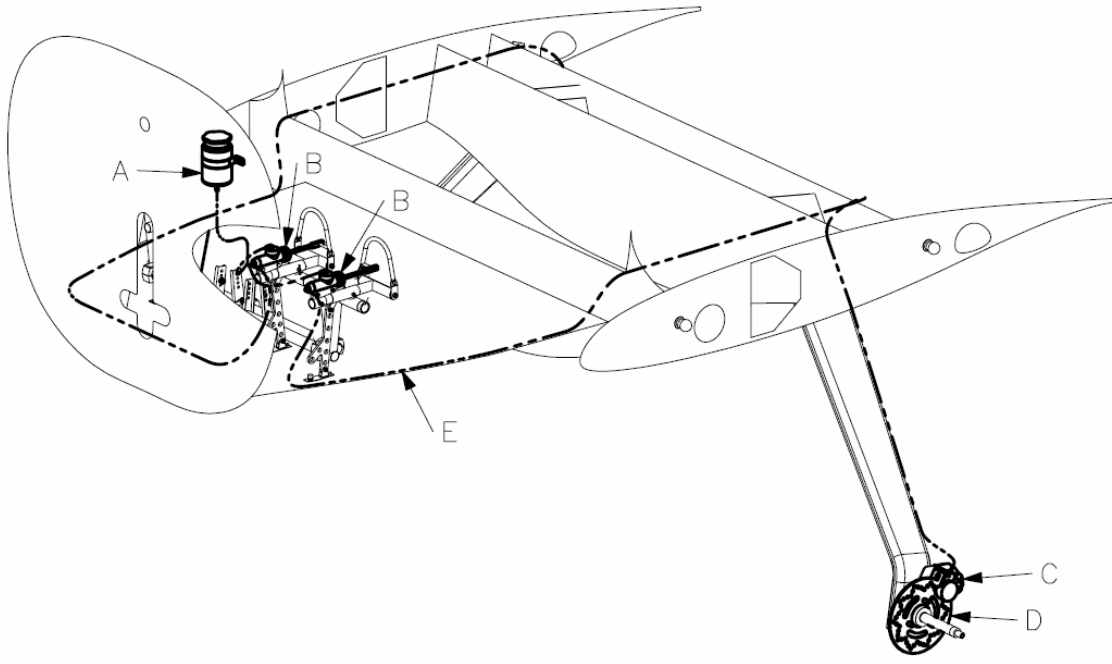




part -A-



ITEM	PART NUMBER	NOMENCLATURE		
A 1	KR-TR 14x1	Rod		2
A 2	STING – 25 – 1	Thread insert		2
A 3	STING – 25 – 5	Rod end		2
A 4	STING – 25 – 4	Rod end		2
A 5	ČSN 02 1401	Check nut		2
A 6	ČSN 02 3515	Bearing		4
B	STING – 12 – xx	Nose landing gear		1
C		Control pedals		1
	7	ČSN 02 1103	Bolt	2
	8	ČSN 02 1143	Bolt	2
	9	ČSN 02 1702	Washer	4
	10	ČSN 02 1492	Nut	4



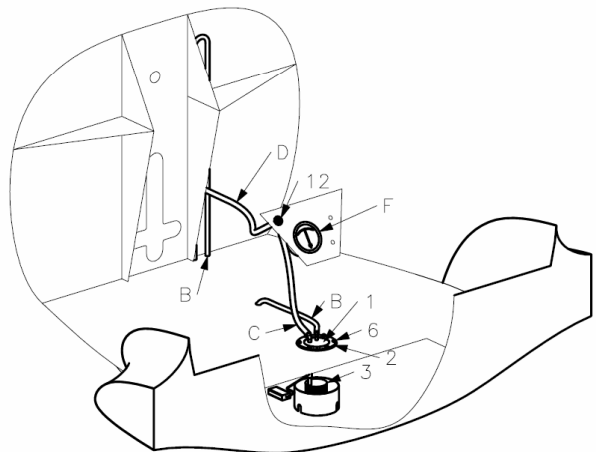
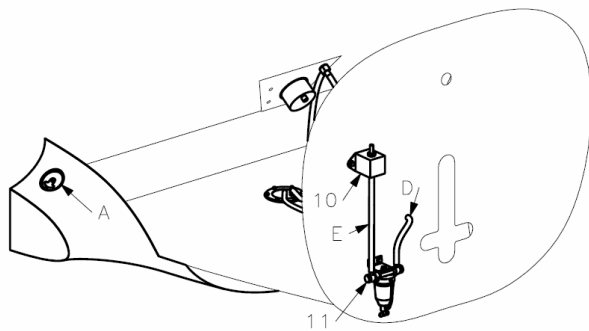
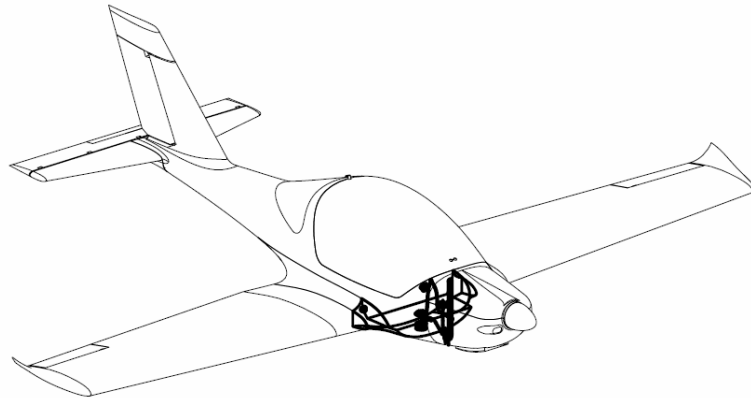


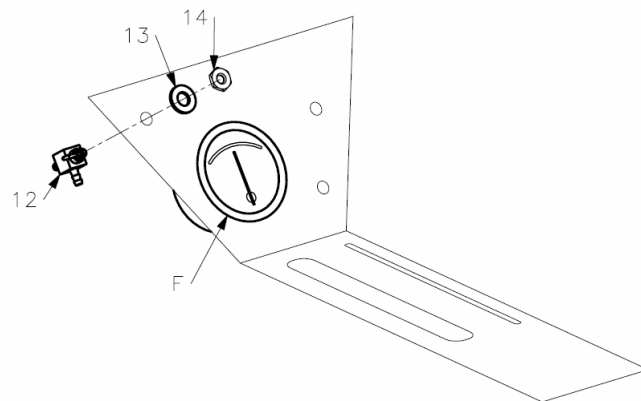
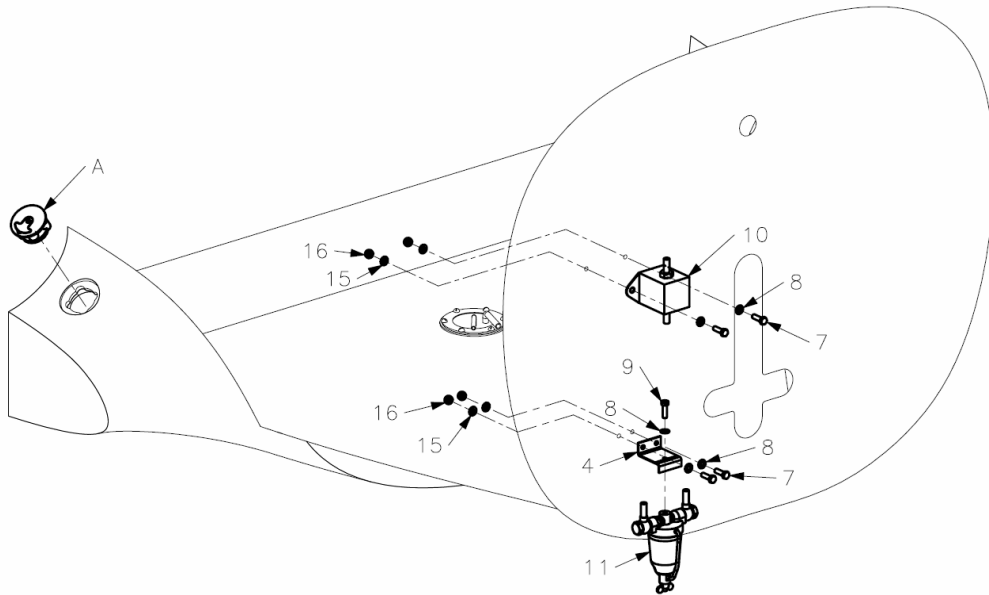
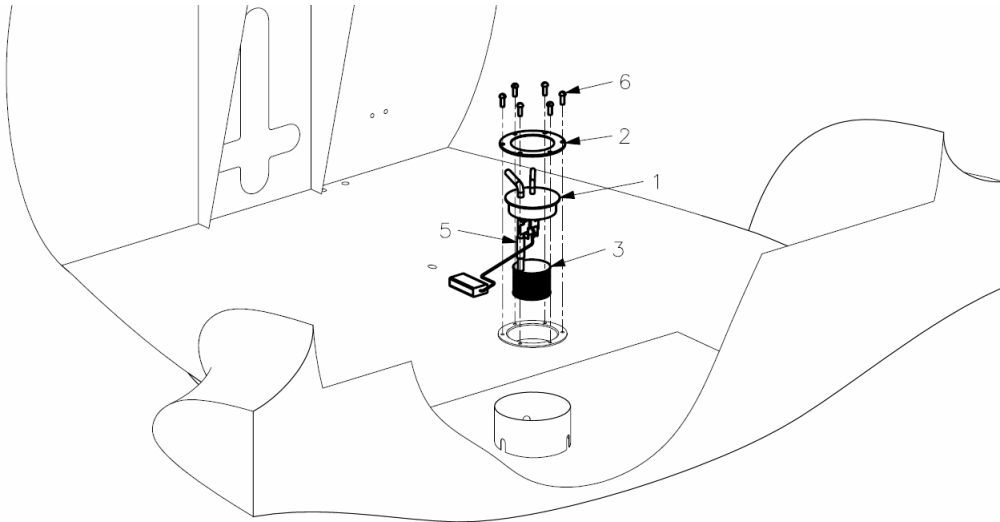
ITEM	PART NUMBER	NOMENCLATURE		
A		Reservoir, brake fluid		1
B		Brake cylinder		2
C		Brake valve		2
D		Wheel - brake disk		2
E		Brake hose		
	1 STING – 9 – 20	Brake-pedal support		4
	2 STING – 9 – 21	Pedal adaptor		4
	3 STING – 9 – 22	Bracket -brake cylinder		2
	4 STING – 9 – 23	Brake pedal		2
	5 STING – 9 – 24	Axle		2
	6 STING – 9 – 25	Rocker lever -L		2
	7 STING – 9 – 26	Rocker lever -R		2
	8 STING – 9 – 27	Bracket -L		2
	9 STING – 9 – 28	Bracket -R		2
	10 STING – 9 – 29	Stop ring		4
	11 STING – 9 – 30	Safety pin		4
	12 ČSN 02 1702	Washer		28
	13 ČSN 02 1702	Washer		x
	14 ČSN 02 1492	Nut		20
	15 ČSN 02 1103	Bolt		12
	16 ČSN 02 1781	Cotter-pin		4
	17 ČSN 02 1103	Bolt		2
	18	Rubber-bonded metal mount		2
	19	Brake cylinder		2

CHAPTER

# 10

FUEL SYSTEM INSTALLATION







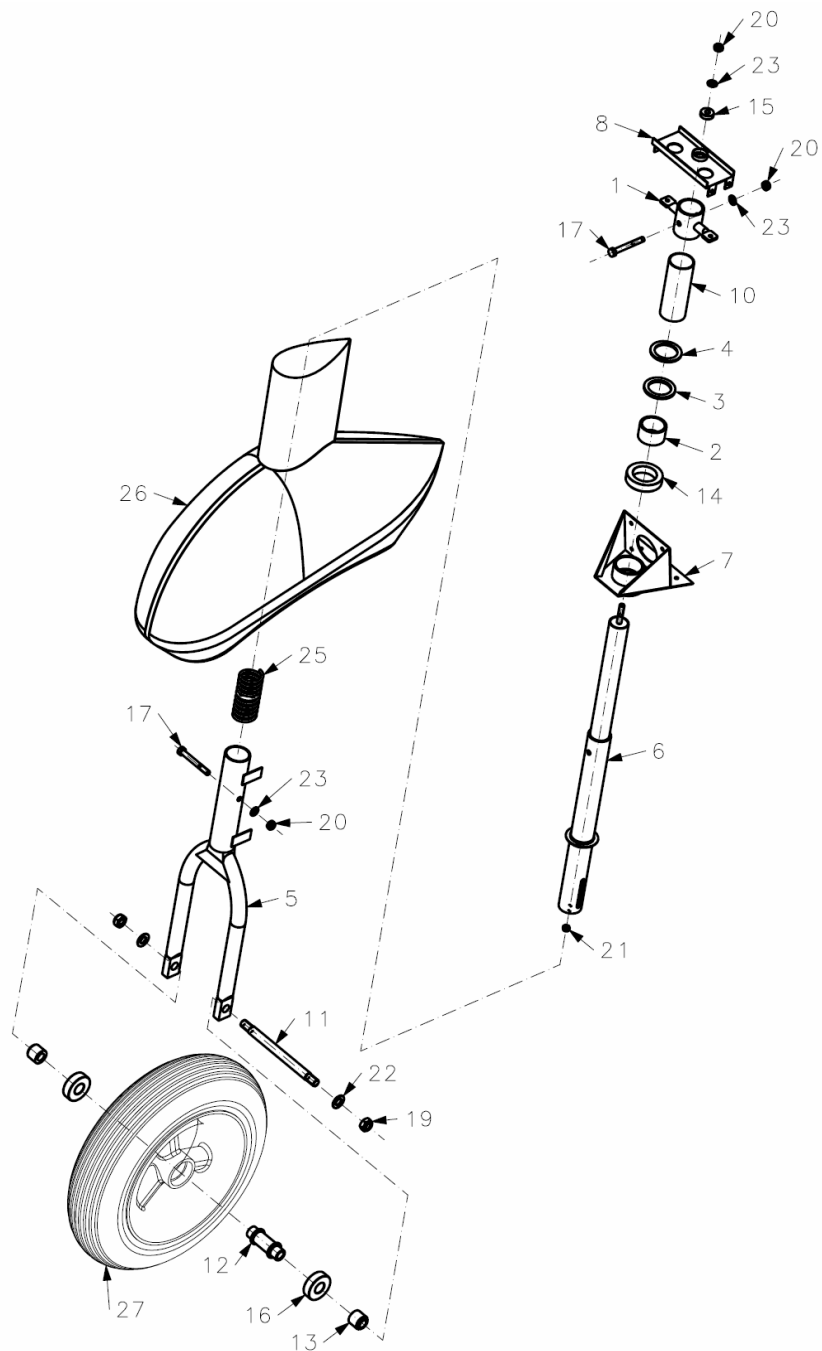
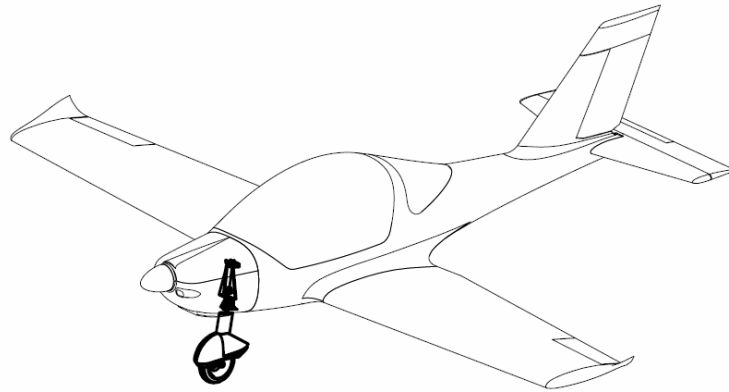
ITEM	PART NUMBER	NOMENCLATURE		
A		Cap		1
B		Breather hose		1
C		Fuel hose		1
D		Fuel hose		1
E		Fuel hose		1
F		Fuel indicator		1
1		Floater assembly		1
2	STING – 10 – 2	Pressure ring		1
3		Suction screen		1
4		Bracket - fuel filter		1
5		Connecting hose		1
6	ČSN 02 1146	Bolt		6
7	ČSN 02 1103	Bolt		4
8	ČSN 02 1702	Washer		4
9	ČSN 02 1103	Bolt		1
10		Fuel pump		1
11		Fuel filter		1
12		Fuel cock		1
13	ČSN 02 1702	Washer		1
14		Nut		1
15	ČSN 02 1727	Washer		4
16	ČSN 02 1492	Nut		4

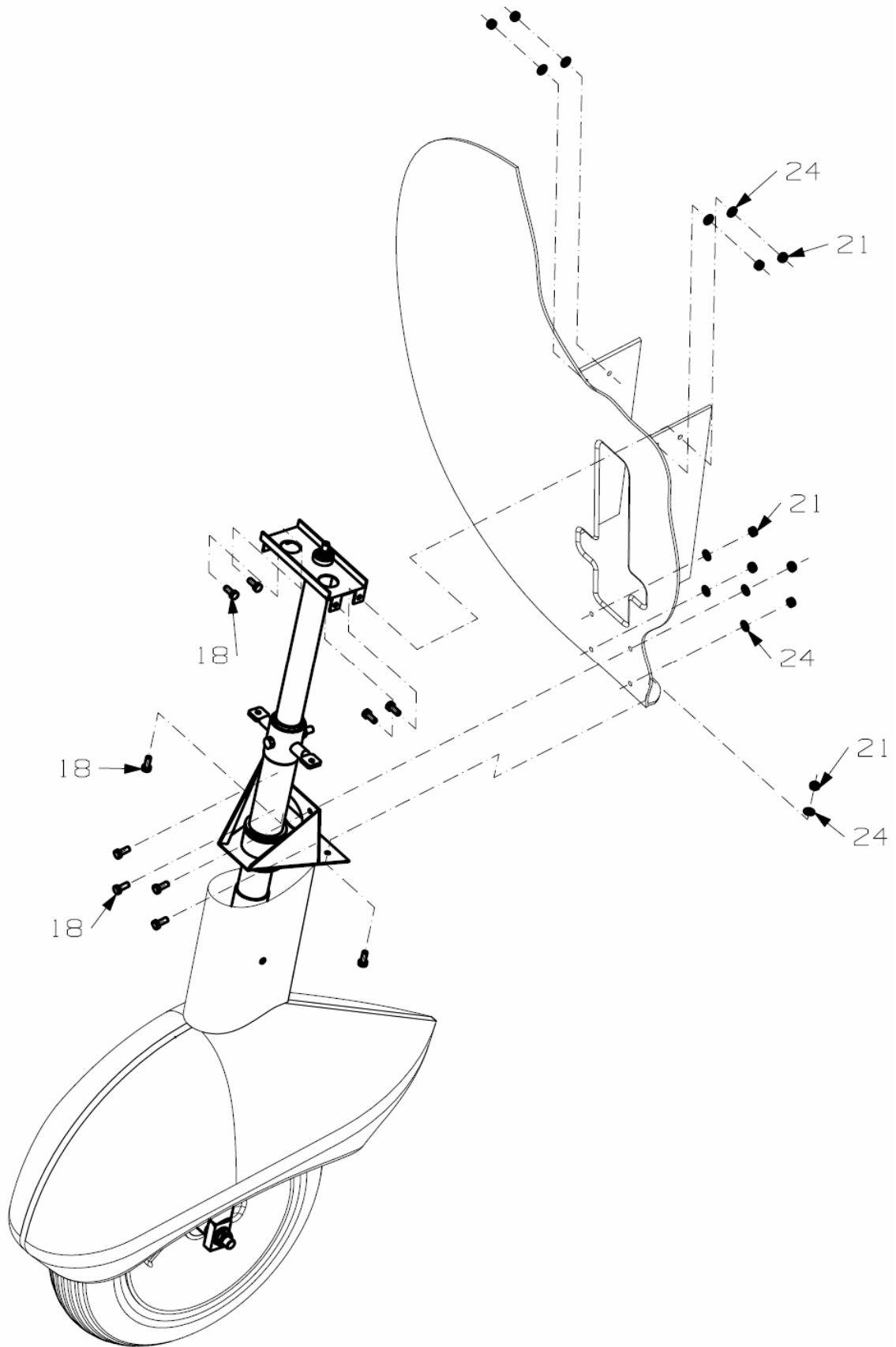
CHAPTER

**11**

NOSE LANDING GEAR







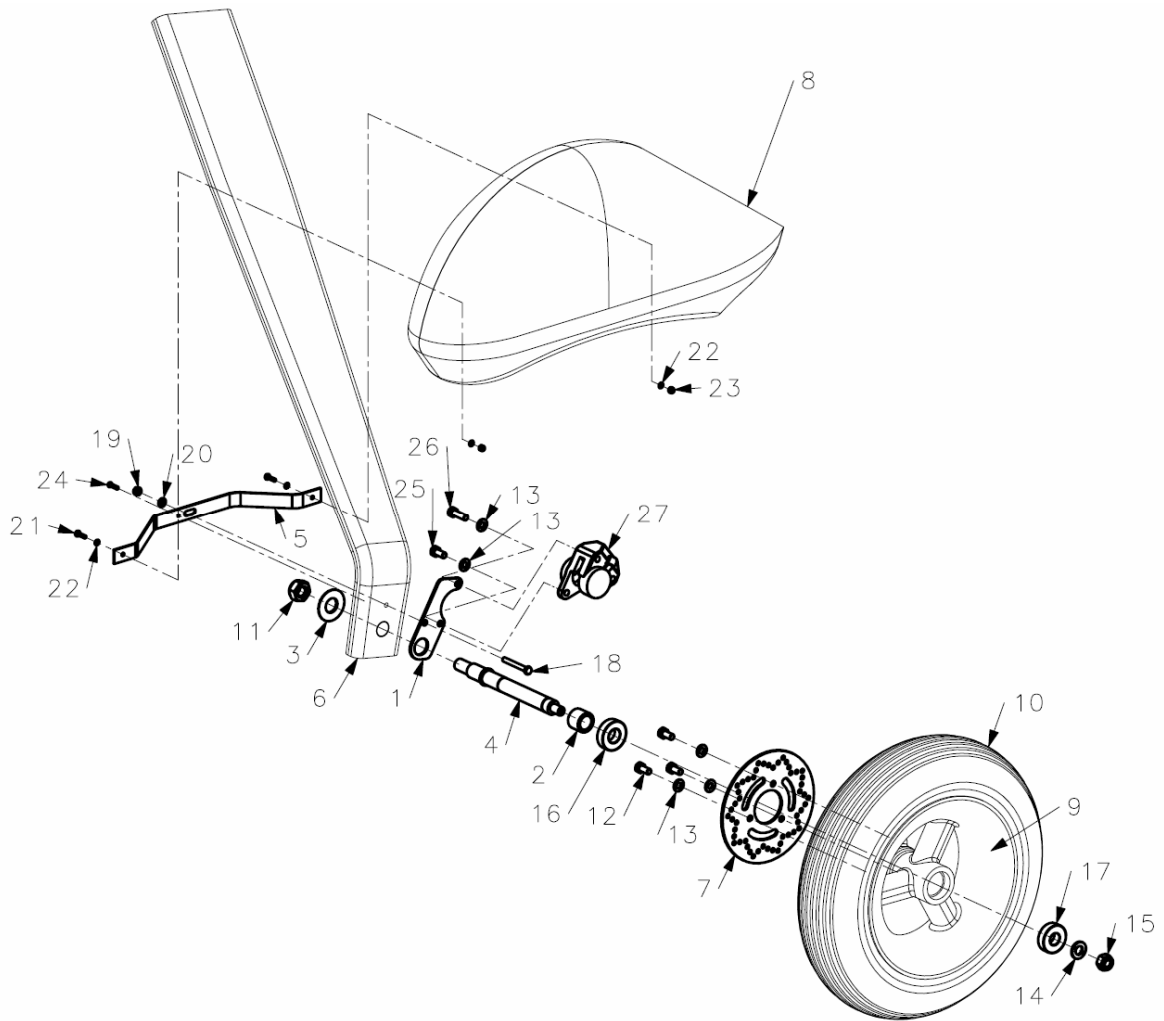
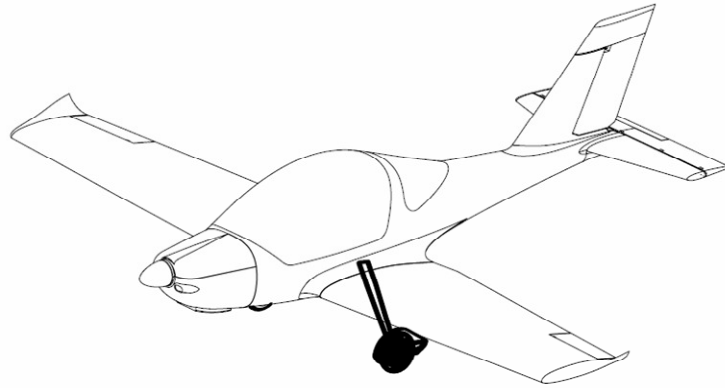


ITEM	PART NUMBER	NOMENCLATURE		
1	STING – 11 – 1	Lever		1
2	STING – 11 – 2	Spacer		1
3	STING – 11 – 3	Silone ring		1
4	STING – 11 – 4	Metal ring		1
5	STING – 11 – 5	Wheel fork		1
6	STING – 11 – 6	Undercarriage leg		1
7	STING – 11 – 7	Lower hinge		1
8	STING – 11 – 8	Upper hinge		1
10	STING – 11 – 10	Spacer		1
11	STING – 11 – 11	Axle		1
12	STING – 11 – 12	Inset		1
13	STING – 11 – 13	Spacer		2
14	ČSN 02 4730	Bearing		1
15	ČSN 02 4630	Bearing		1
16	ČSN 02 4630	Bearing		2
17	ČSN 02 1101	Bolt		1
18	ČSN 02 1101	Bolt		10
19	ČSN 02 1492	Nut		1
20	ČSN 02 1492	Nut		3
21	ČSN 02 1492	Nut		10
22	ČSN 02 1702	Washer		1
23	ČSN 02 1702	Washer		3
24	ČSN 02 1702	Washer		10
25		Spring		1
26		Wheel fairing		1
27		Wheel		1

CHAPTER

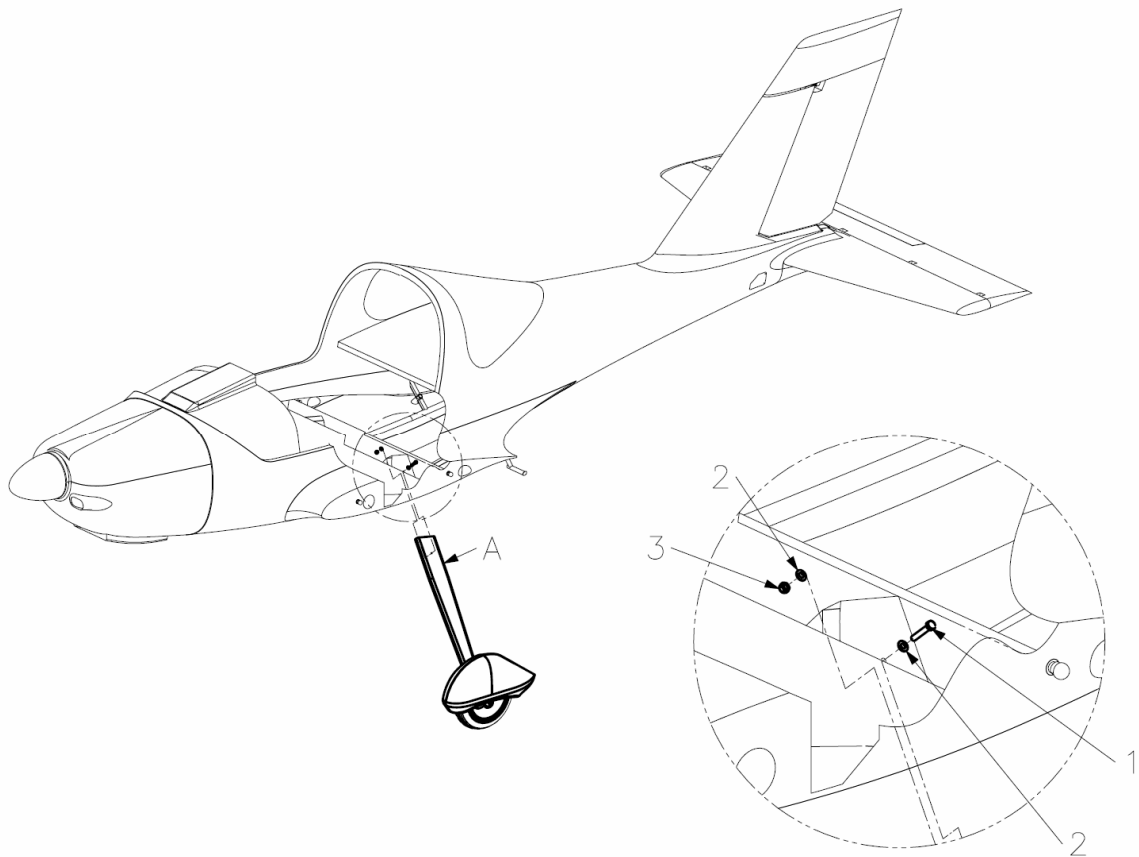
12

MAIN LANDING GEAR





ITEM	PART NUMBER	NOMENCLATURE		
1	STING – 12 – 1	Bracke		2
2	STING – 12 – 3	Spacer		2
3	STING – 12 – 4	Washer		2
4	STING – 12– 8	Axle		2
5		Bracket -wheel fairing		2
6		Undercarriage leg	L, R	1
7		Wheel - brake disk		2
8		Wheel fairing	L, R	1
9		Wheel disk		2
10		Tire		2
11	ČSN 02 1492	Nut		2
12	ČSN 02 1103	Bolt		6
13	ČSN 02 1702	Washer		10
14	ČSN 02 1702	Washer		2
15	ČSN 02 1492	Nut		2
16	ČSN 02 4633	Bearing		2
17	ČSN 02 4636	Bearing		2
18	ČSN 02 1103	Bolt		2
19	ČSN 02 1492	Nut		2
20	ČSN 02 1702	Washer		2
21	ČSN 02 1103	Bolt		4
22	ČSN 02 1702	Washer		8
23	ČSN 02 1492	Nut		4
24	ČSN 02 1146	Bolt		2
25	ČSN 02 1103	Bolt		2
26	ČSN 02 1103	Bolt		2
27		Brake valve		2



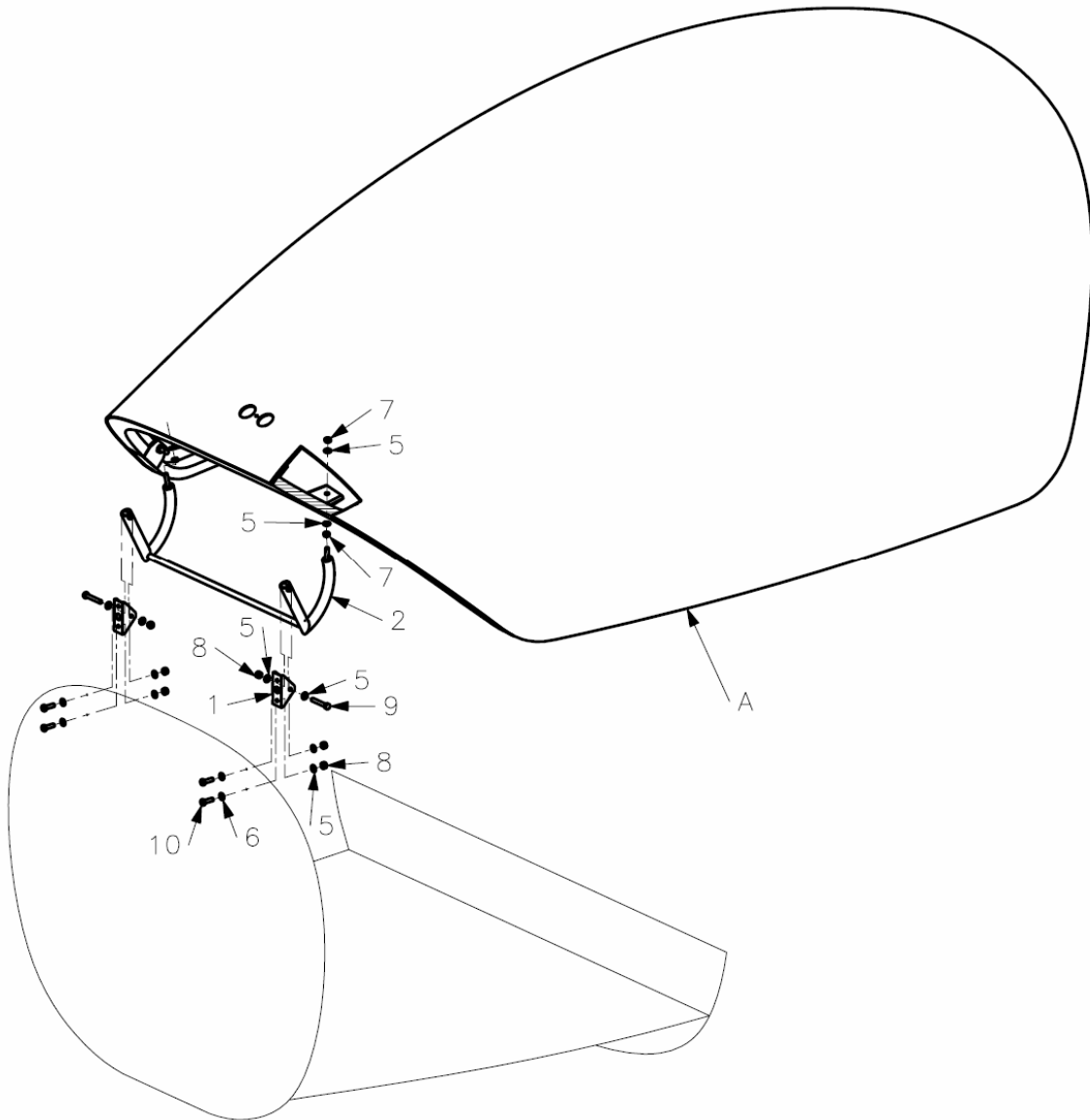
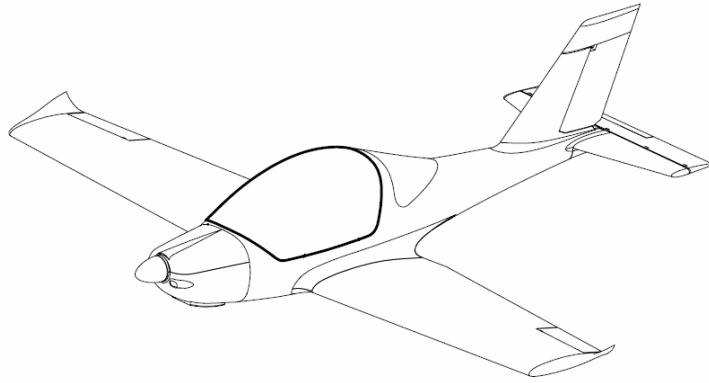
ITEM	PART NUMBER	NOMENCLATURE		
A	STING – 12 – xx	Undercarriage leg	L, R	1
1	ČSN 02 1103	Bolt		2
2	ČSN 02 1702	Washer		4
3	ČSN 02 1492	Nut		2

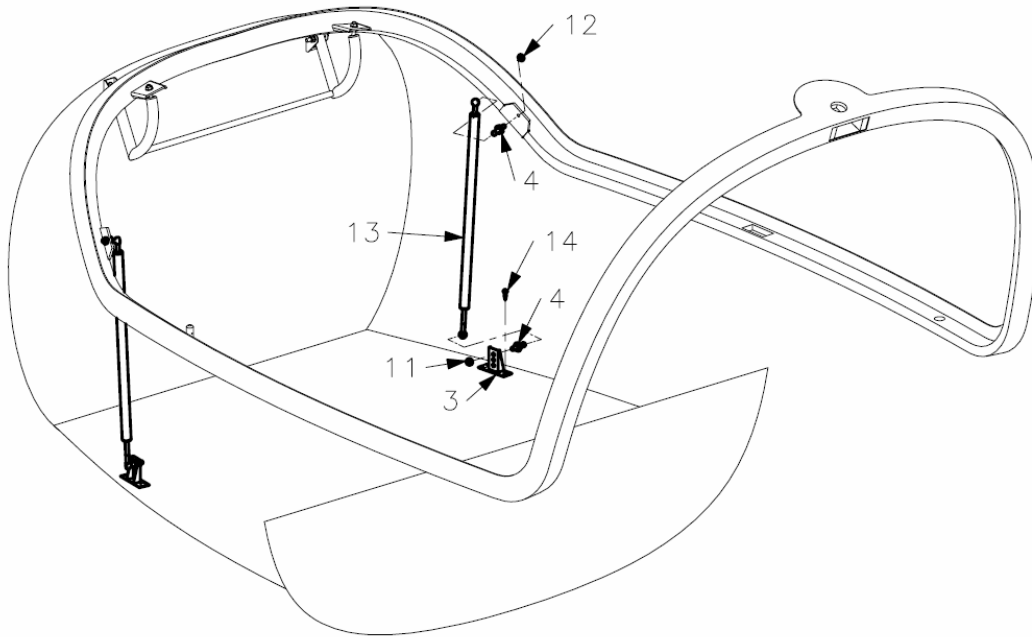
CHAPTER

13

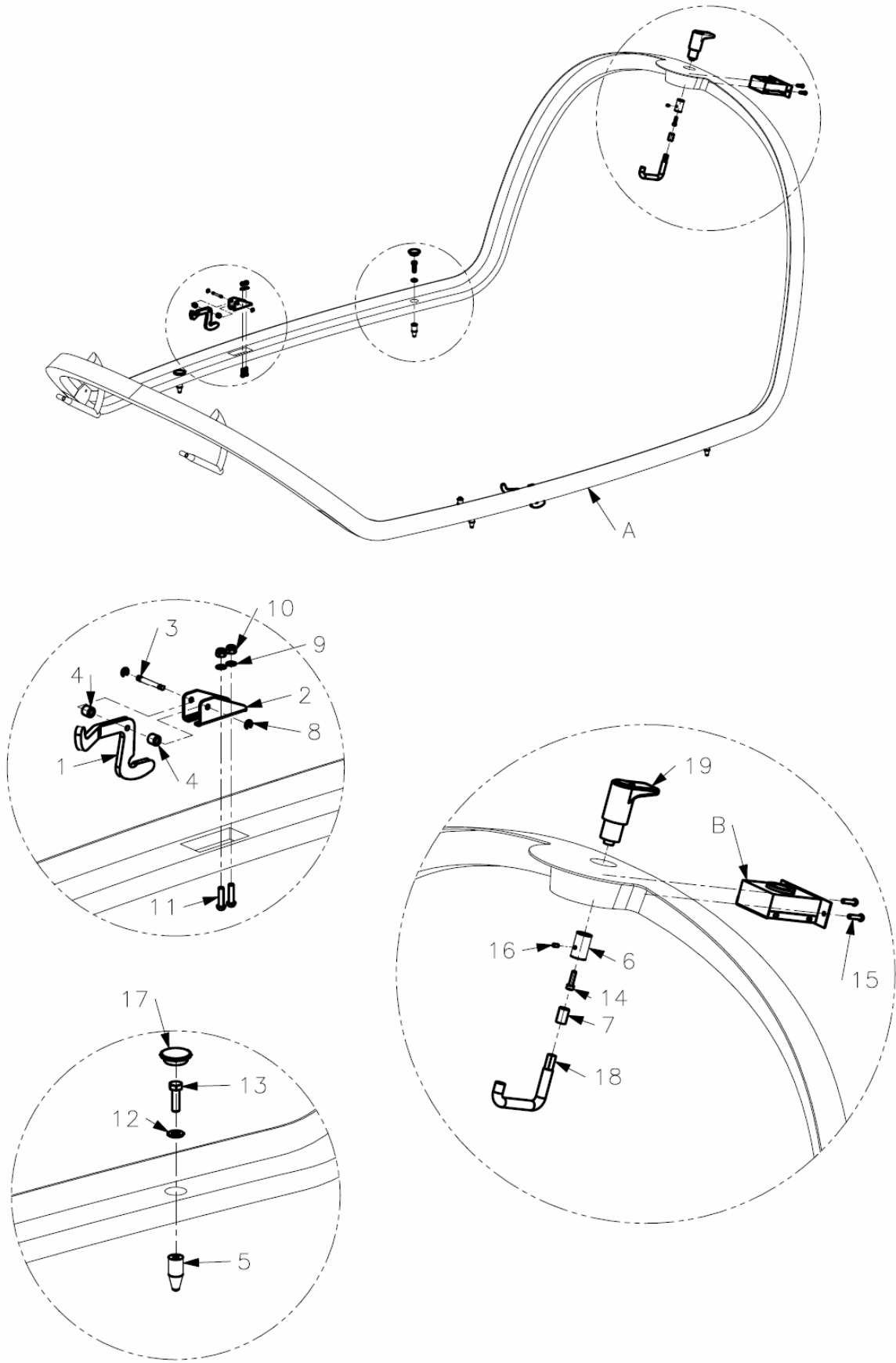
COCKPIT COVER







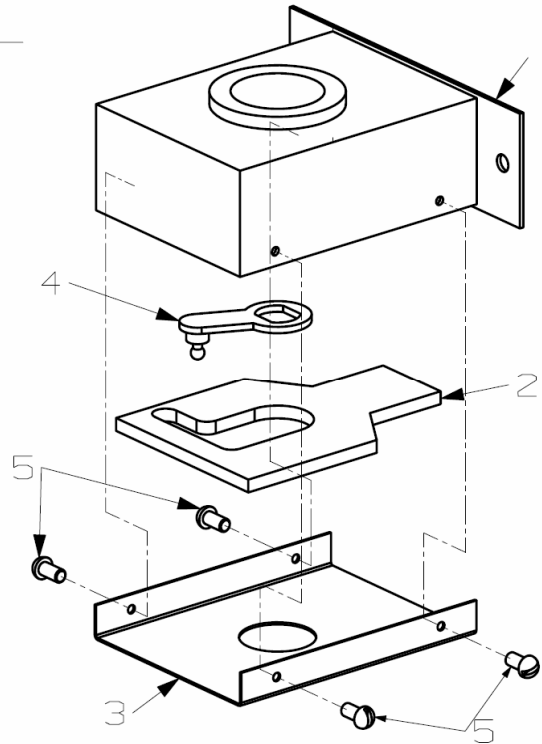
ITEM	PART NUMBER	NOMENCLATURE		
A		Cockpit cover		1
1	STING – 13 – 4	Bracket		2
2	STING – 13 – 20	Hinge assembly		1
3	STING – 13 – 12	Bracket		2
4	STING – 13 – 21	Spherical journal		4
5	ČSN 02 1702	Washer		4
6	ČSN 02 1727	Washer		4
7	ČSN 02 1403	Nut		4
8	ČSN 02 1492	Nut		4
9	ČSN 02 1143	Bolt		2
10	ČSN 02 1103	Bolt		4
11	ČSN 02 1403	Nut		2
12	ČSN 02 1403	Nut		2
13		Gas pressure spring		2
14		Screw		4



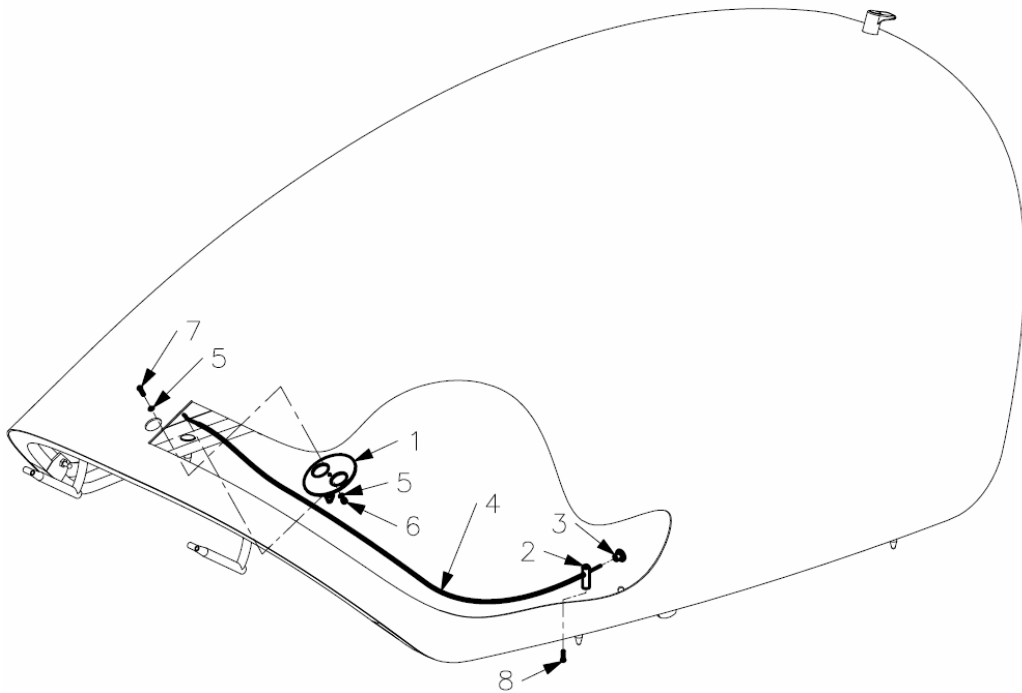


ITEM	PART NUMBER	NOMENCLATURE		
A		Cockpit cover		1
B	STING – 13 – 16	Locking device		1
1	STING – 13 – 5	Closing hook	L, R	2
2	STING – 13 – 6	Bracket		2
3	STING – 13 – 2	Pin		2
4	KR-TR 8x7	Spacer		4
5	STING – 13 – 11	Guide pin		4
6	STING – 13 – 10	Handle holder		1
7	STING – 13 – 10	Adapter bush		1
8	ČSN 02 2929	Lock ring		4
9	ČSN 02 1702	Washer		4
10	ČSN 02 1492	Nut		4
11	ČSN 02 1146	Bolt		4
12	ČSN 02 1702	Washer		4
13	ČSN 02 1143	Bolt		4
14	ČSN 02 1143	Bolt		1
15	ČSN 02 1146	Bolt		2
16		Bolt		1
17		Cap		4
18		Handle		1
19		Lock assembly		1

Part -B-



ITEM	PART NUMBER	NOMENCLATURE		
B	1	STING – 13 – 16	Box	1
	2	STING – 13 – 9	Lock tab	1
	3	STING – 13 – 17	Cover	1
	4	STING – 13 – 22	Driver	1
	5	ČSN 02 1146	Screw	4

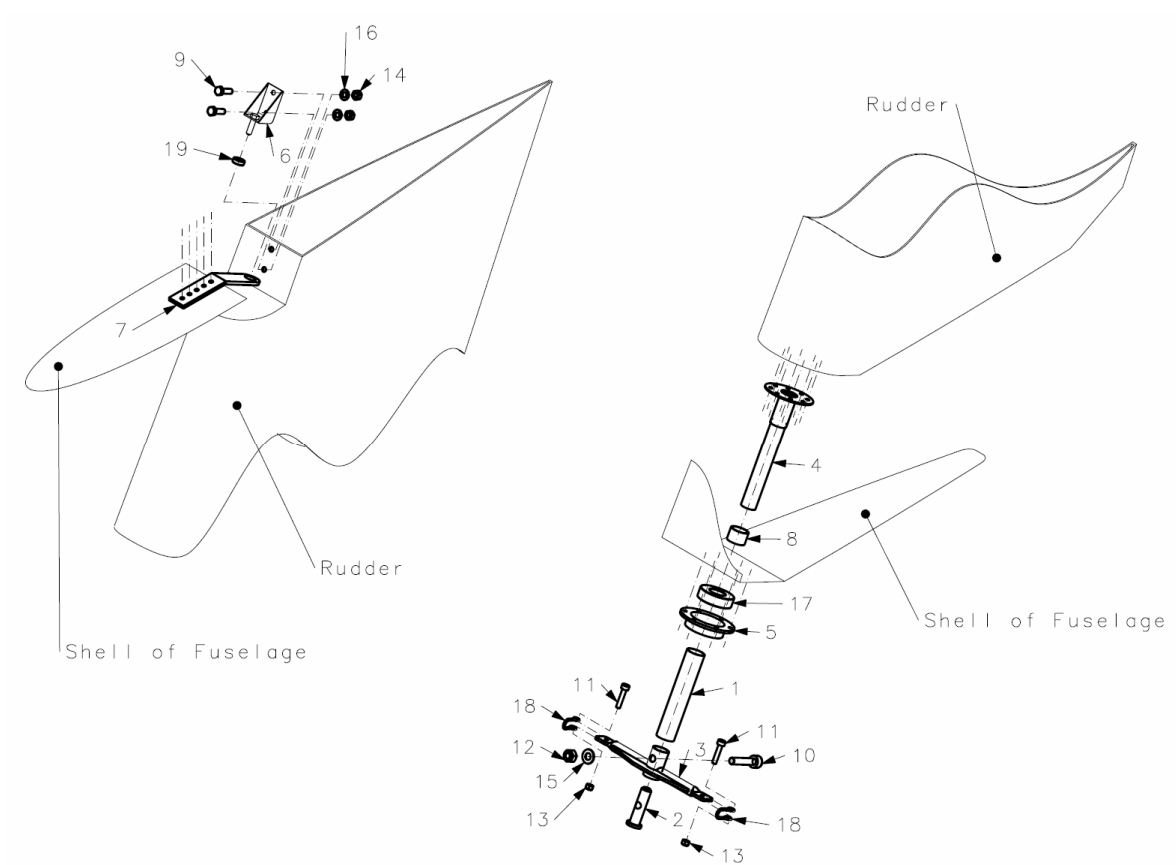
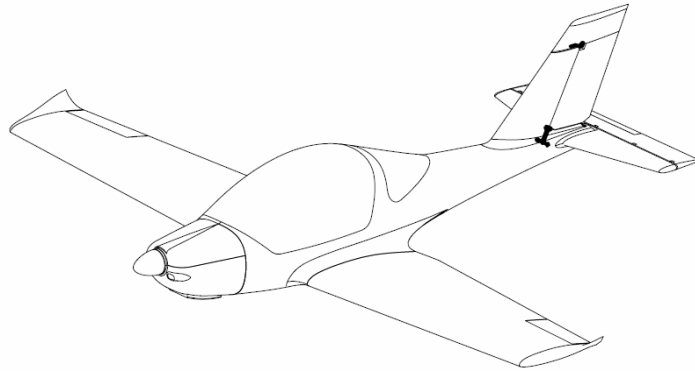


ITEM	PART NUMBER	NOMENCLATURE		
1	STING – 13 – 1	Ventilation assembly		1
2	STING – 13 – 8	Bracket		1
3	STING – 13 – 7	Handle		1
4		Cable		1
5	ČSN 02 1702	Washer		2
6	ČSN 02 1492	Nut		1
7	ČSN 02 1146	Bolt		1
8	ČSN 02 1146	Bolt		1

CHAPTER

**14**

RUDDER INSTALLATION





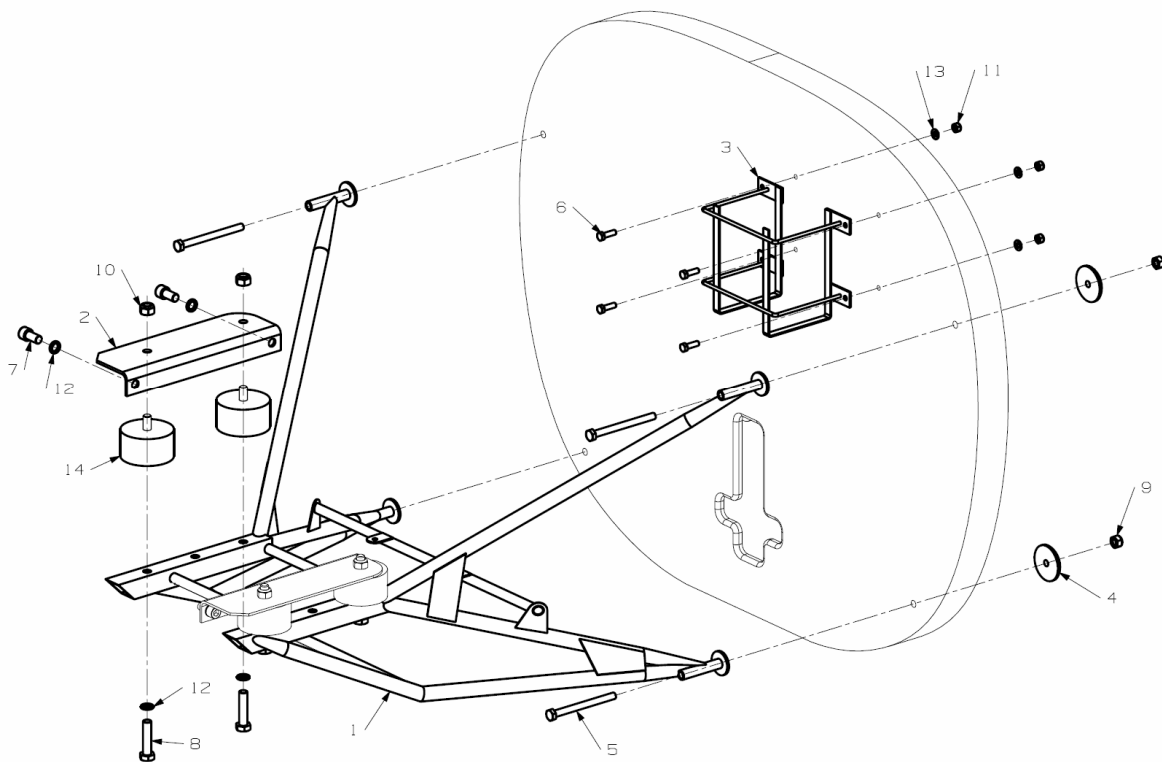
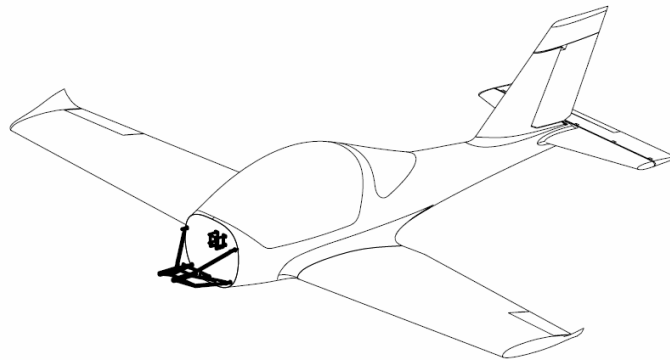


ITEM	PART NUMBER	NOMENCLATURE		
1	STING – 14 – 1	Distance tube		1
2	STING – 14 – 2	Inset		1
3	STING – 14 – 3	Lever		1
4	STING – 14 – 4	Axle		1
5	STING – 14 – 5	Axle box		1
6	STING – 14 – 6	Rudder hinge		1
7	STING – 14 – 7	Rudder hinge		1
8	KR-TR 22x1	Spacer		1
9	ČSN 02 1101	Bolt		2
10	ČSN 02 1143	Bolt		1
11	ČSN 02 1143	Bolt		2
12	ČSN 02 1492	Nut		1
13	ČSN 02 1492	Nut		2
14	ČSN 02 1401	Nut		2
15	ČSN 021702	Washer		1
16	ČSN 02 1726	Washer		2
17	ČSN 02 4630	Bearing		1
18		Cable grip		2
19	ČSN 02 3515	Bearing		1

CHAPTER

# 15

ENGINE MOUNT



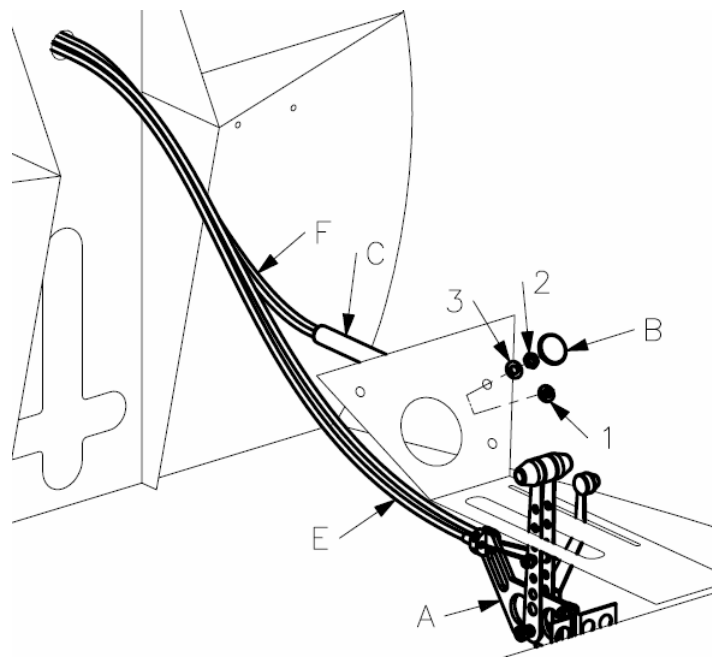
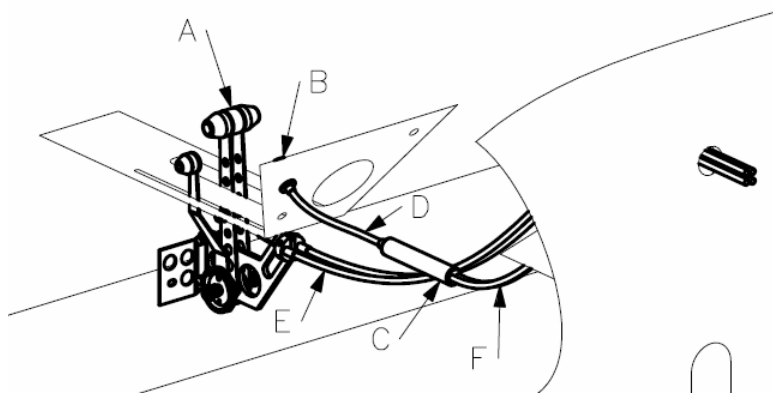
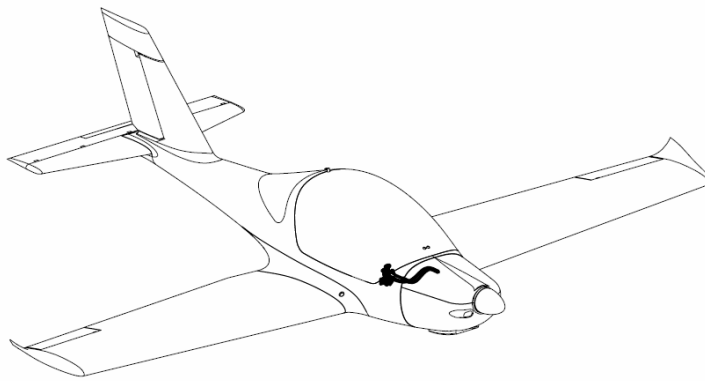


ITEM	PART NUMBER	NOMENCLATURE		
1	STING – 15 – 1	Engine mount		1
2	STING – 15 – 2	Bracket		2
3	STING – 15 – 3	Battery support		1
4	STING – 11 – 4	Washer		4
5	ČSN 02 1103	Bolt		4
6	ČSN 02 1103	Bolt		4
7	ČSN 02 1143	Bolt		4
8	ČSN 02 1103	Bolt		4
9	ČSN 02 1492	Nut		4
10	ČSN 02 1492	Nut		4
11	ČSN 02 1492	Nut		4
12	ČSN 02 1702	Washer		8
13	ČSN 02 1727	Washer		4
14		Silent block		4

CHAPTER

**16**

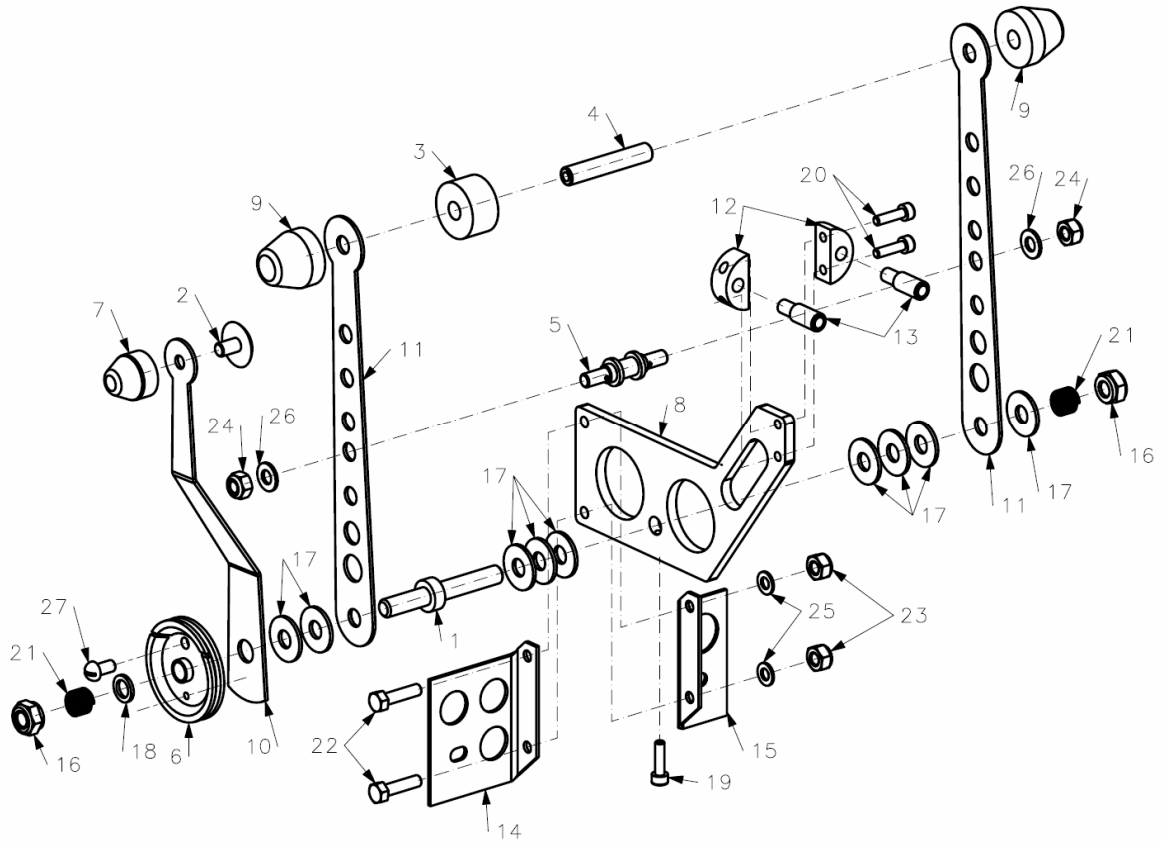
ENGINE CONTROLS



TL – 2000 *Sting Sport*  
 Illustrated parts catalog



ITEM	PART NUMBER	NOMENCLATURE		
A	STING – 4 – xx	Power lever assembly		1
B		Carburetor choke handle		1
C	STING – 15 – 5	Coupler		1
D		Cable		1
E		Cable		2
F		Cable		2
1	STING – 15 – 20	Cable grommet		1
2	ČSN 02 1403	Nut		1
3	ČSN 02 1702	Washer		1







ITEM	PART NUMBER	NOMENCLATURE		
A	1	STING – 16 – 1	Shaft	1
	2	STING – 16 – 2	Bolt	1
	3	STING – 16 – 3	Spacer	1
	4	STING – 16 – 4	Bolt	1
	5	STING – 16 – 5	Shaft	2
	6	STING – 16 – 6	Pulley	1
	7	STING – 16 – 7	Trim handle	1
	8	STING – 16 – 8	Mounting base	1
	9	STING – 16 – 9	Handle	2
	10	STING – 16 – 10	Trim lever	1
	11	STING – 16 – 11	Power lever	2
	12	STING – 16 – 12	Cable bracket	1
	13	STING – 16 – 13	Cable tightener	2
	14	STING – 16 – 14	Bracket No.1	1
	15	STING – 16 – 15	Bracket No.2	1
	16	STING – 16 – 16	Nut	2
	17		Washer Ø8xØ12 - Penefol	9
	18		Washer Ø8xØ20 - Penefol	1
	19	ČSN 02 1143	Bolt	1
	20	ČSN 02 1143	Bolt	2
	21		Spring	2
	22	ČSN 02 1101	Bolt	2
	23	ČSN 02 1492	Nut	2
	24	ČSN 02 1492	Nut	2
	25	ČSN 02 1702	Washer	2
	26	ČSN 02 1702	Washer	2
	27	ČSN 02 1146	Bolt	1